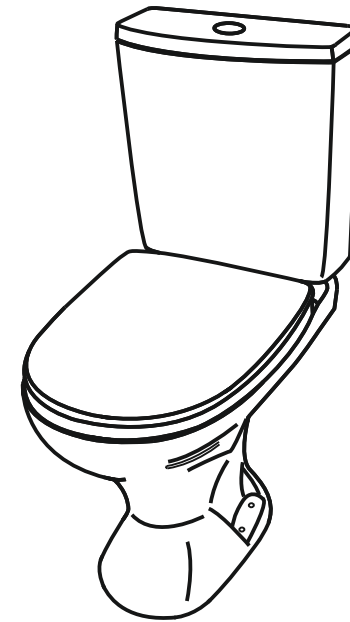
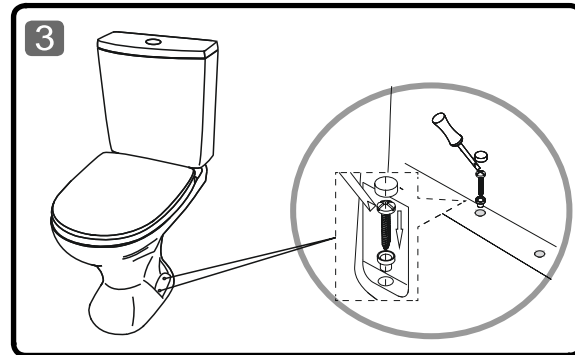
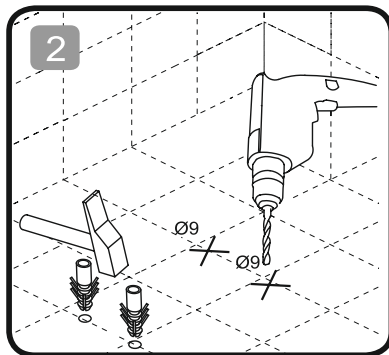
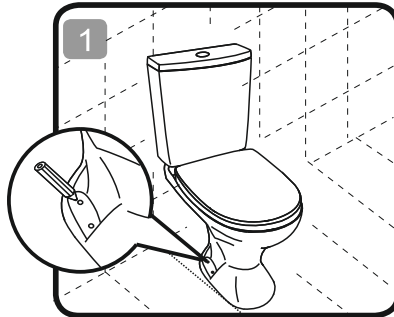
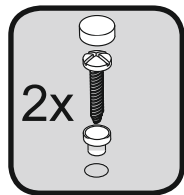
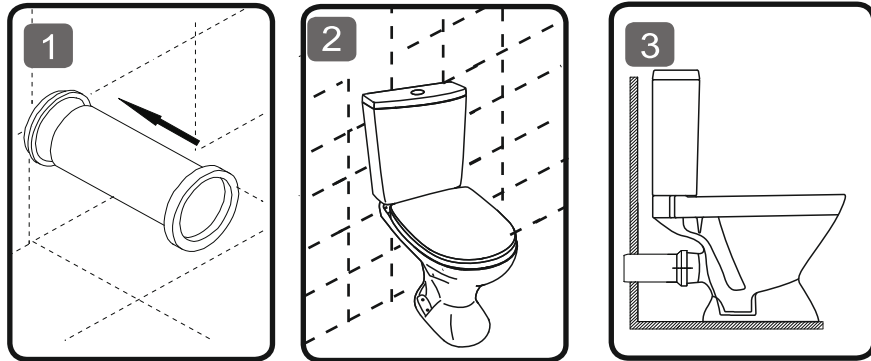


AM·PM Sense L



C748607SC

AM·PM

AM.PM AG Torstrasse 177 D-10115 Berlin

WWW.AMPM-WORLD.COM

02/2016

C748607SC

