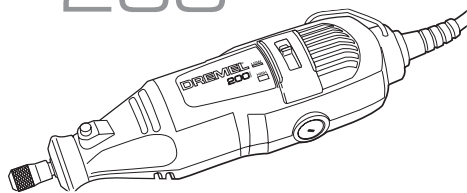
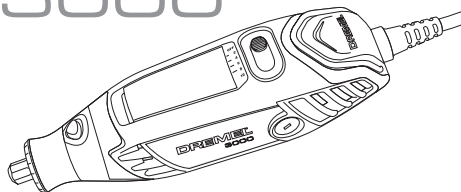


DREMEL®

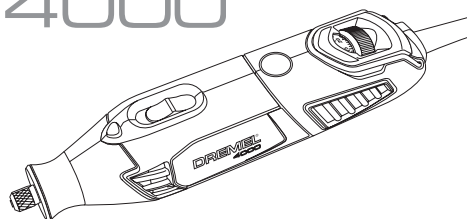
200



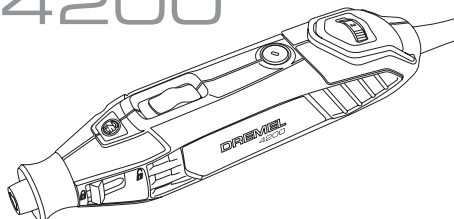
3000



4000



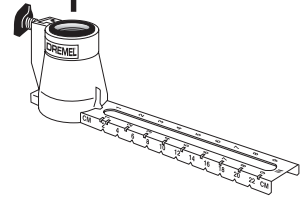
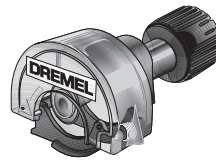
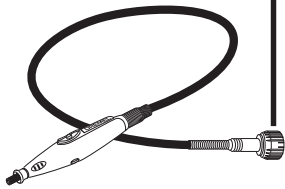
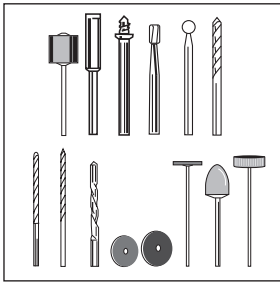
4200



GB	Original instructions	17
RU	Перевод оригинальных инструкций	22
UK	Переклад головних інструкцій	29
KZ	Түпнұсқа нұсқаулардың аудармасы	36

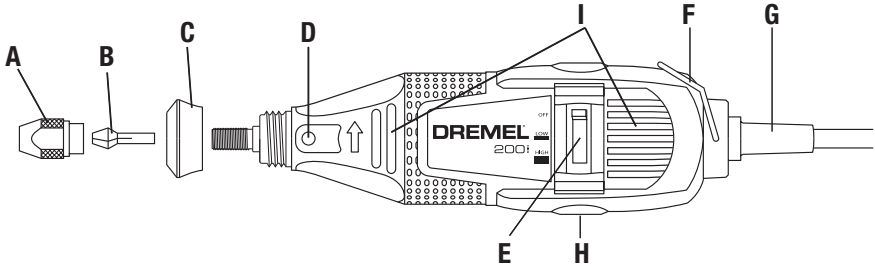
RUS

1

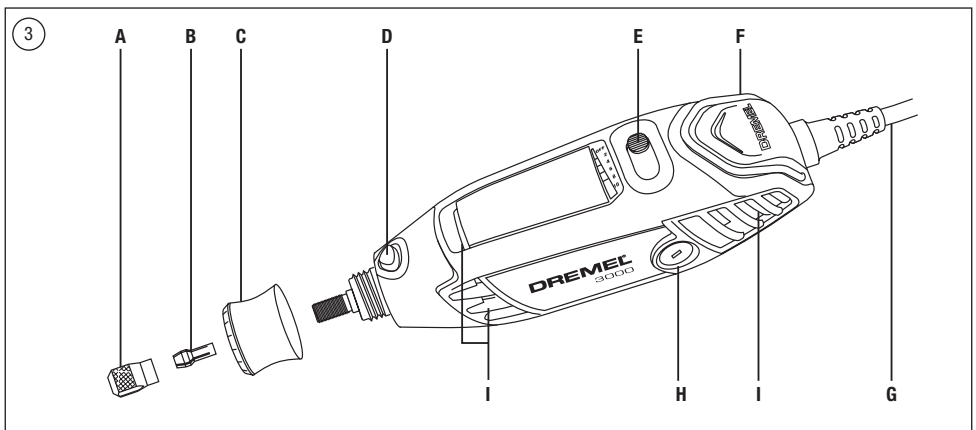


200

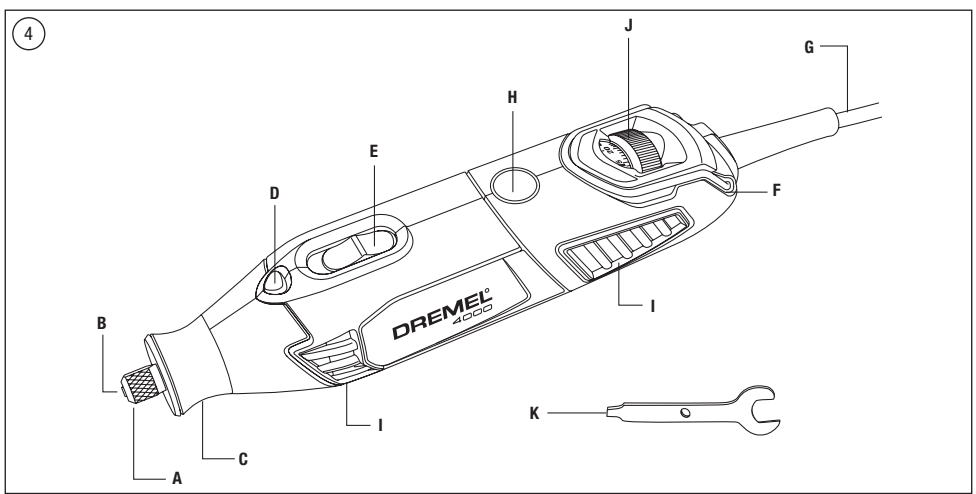
2



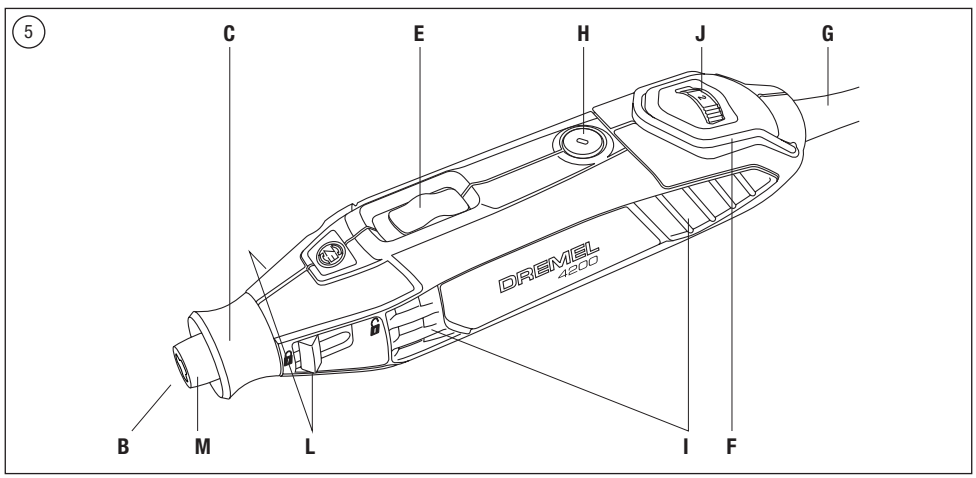
3000

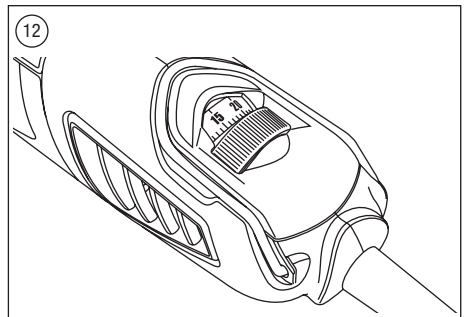
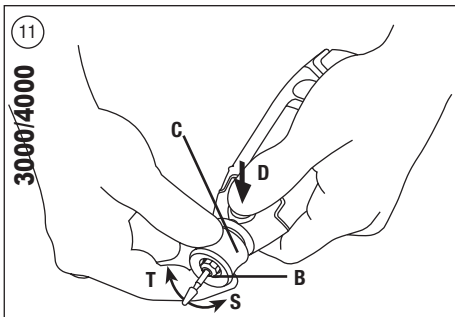
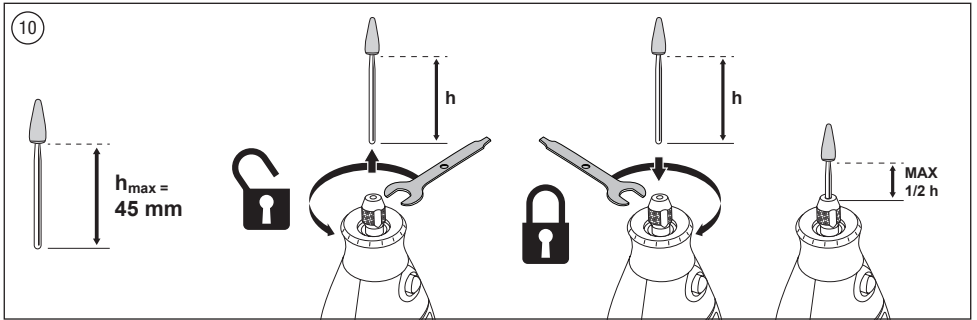
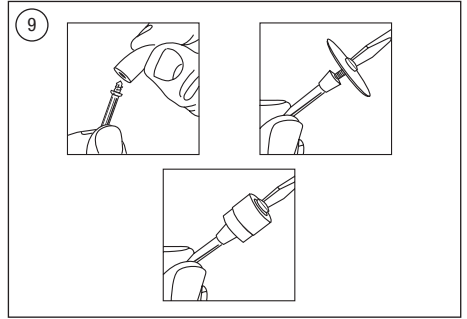
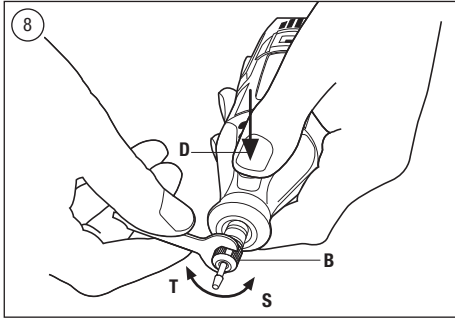
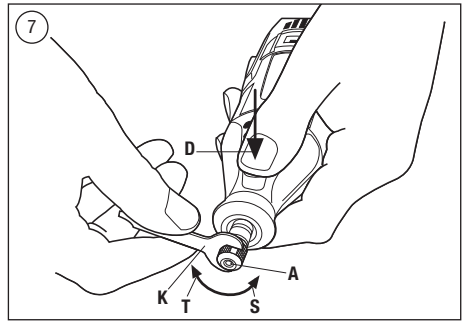
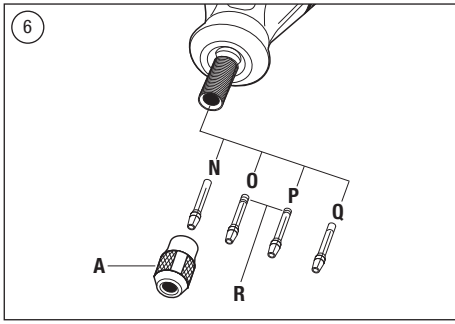


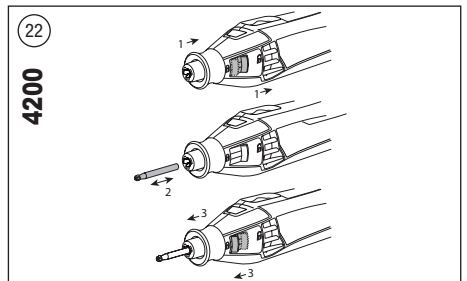
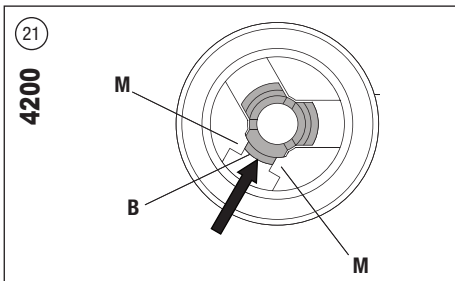
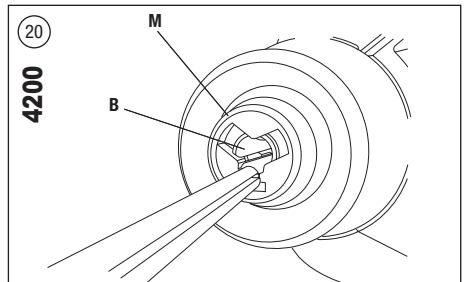
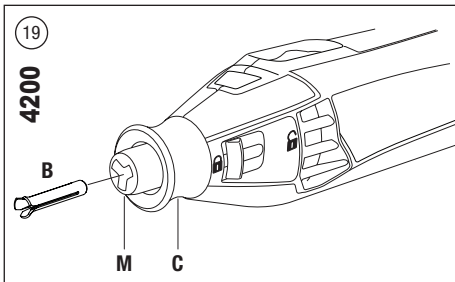
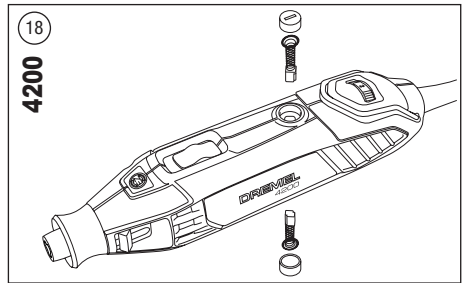
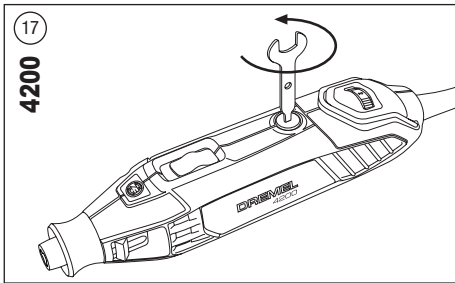
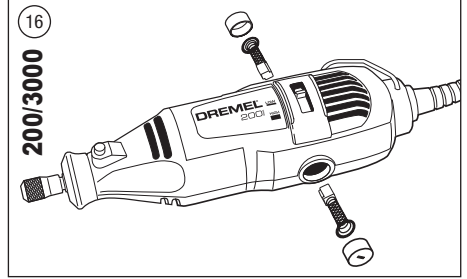
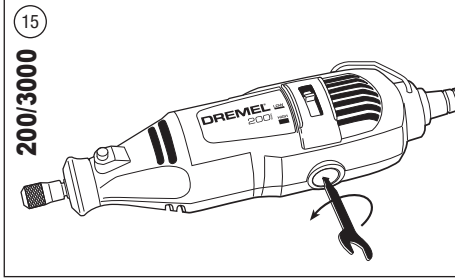
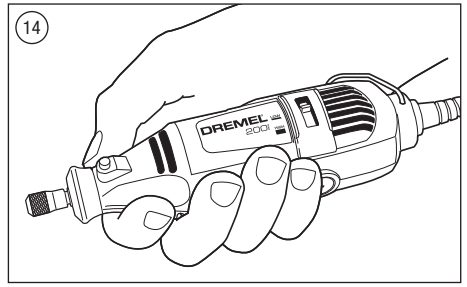
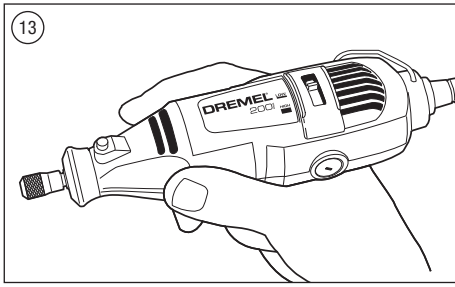
4000

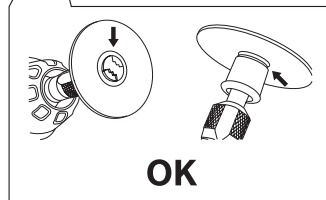
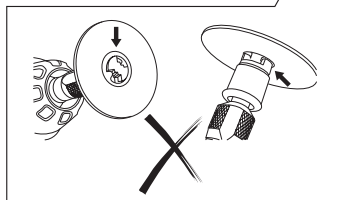
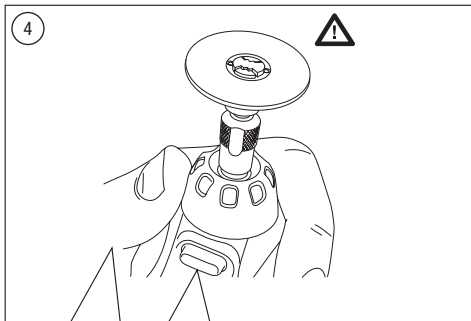
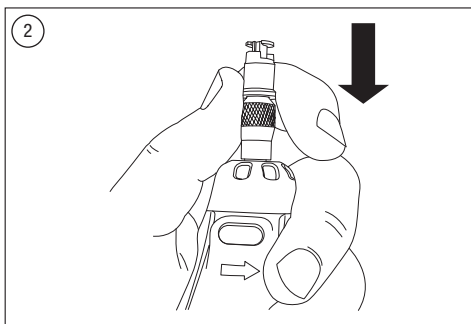
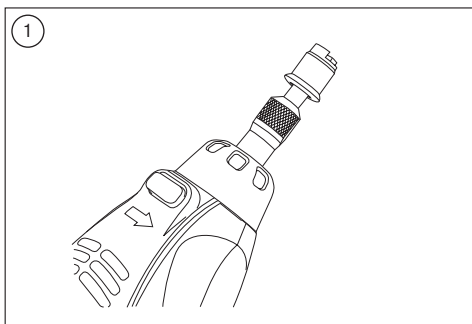


4200







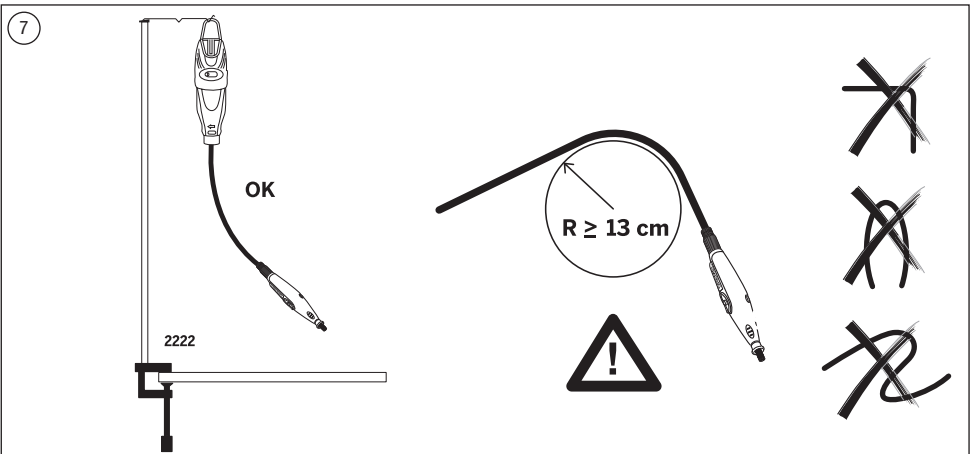
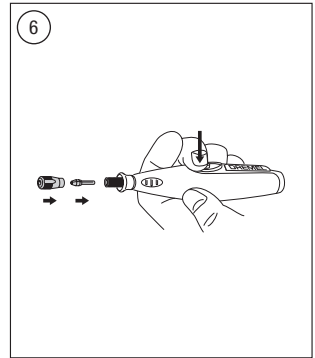
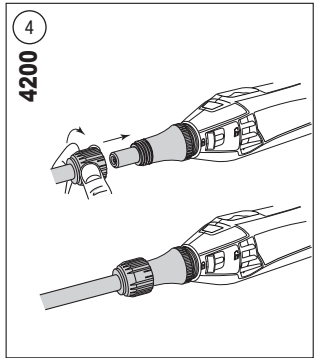
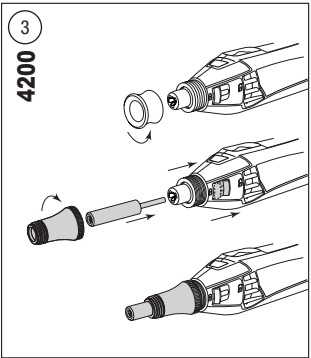
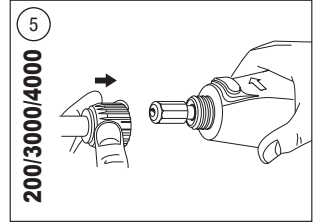
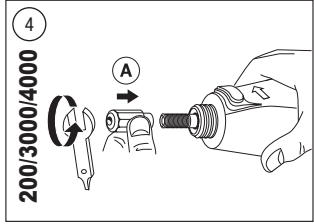
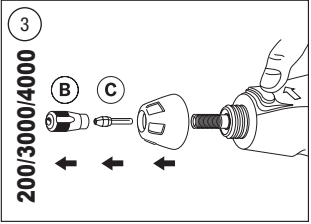
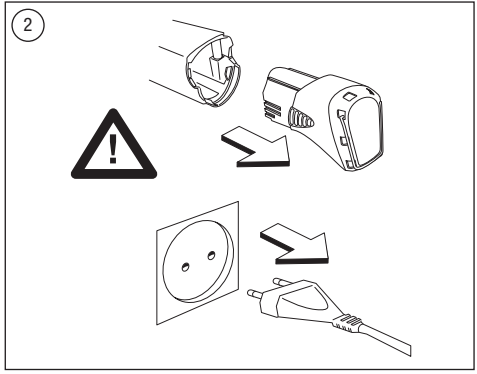
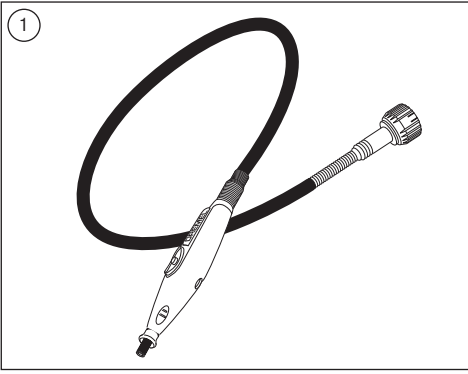


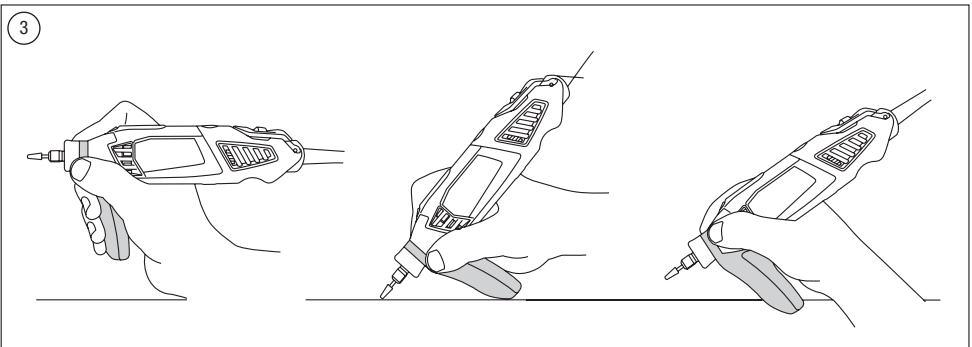
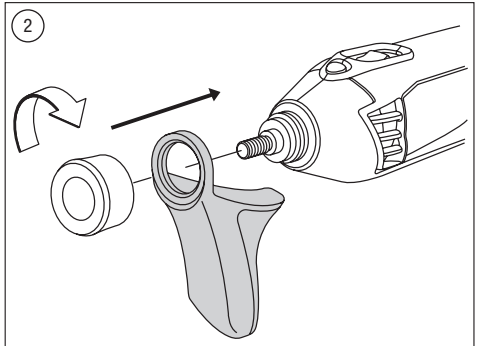
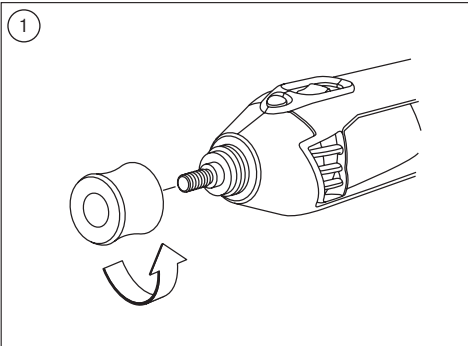
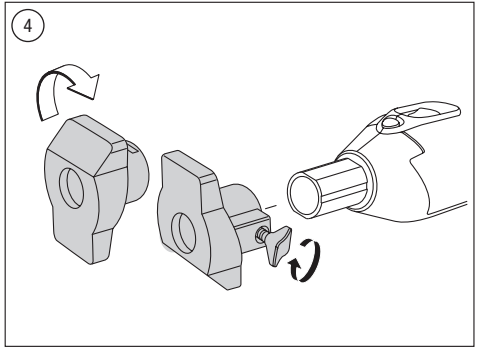
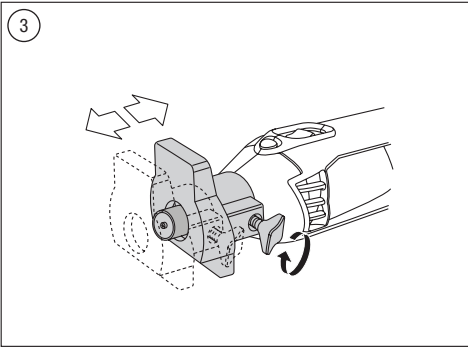
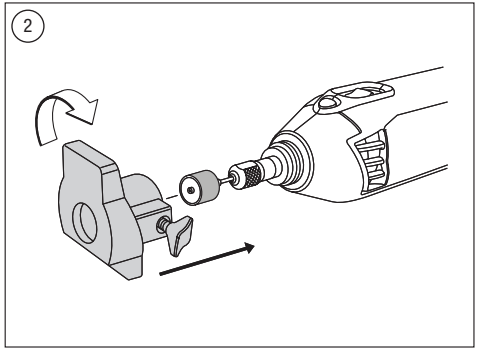
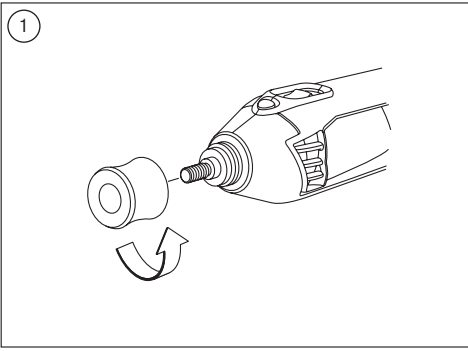
GB For optimum performance allow your new Flexshaft to run at high speed on your rotary tool in a vertical position for 2 minutes before use.

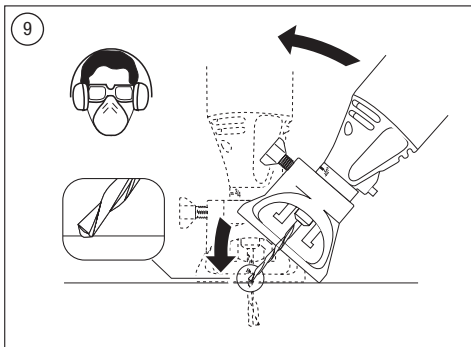
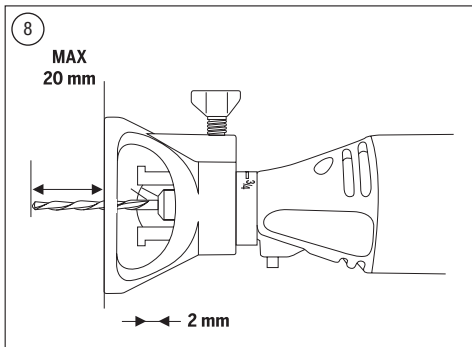
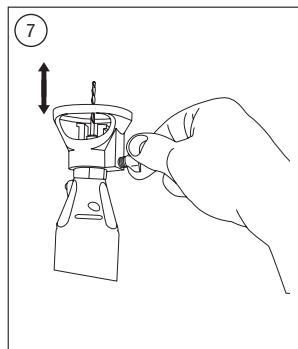
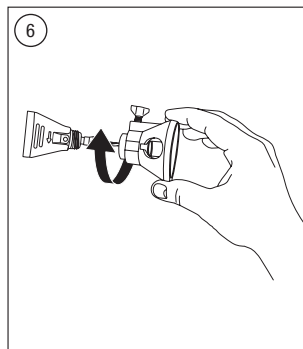
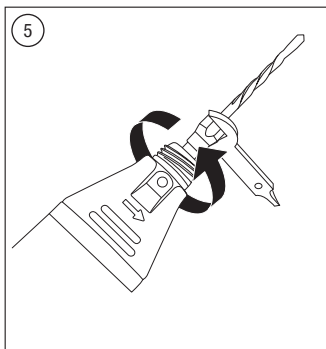
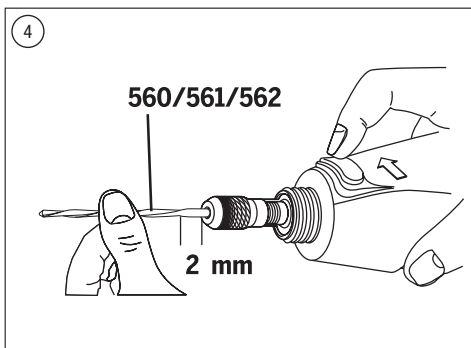
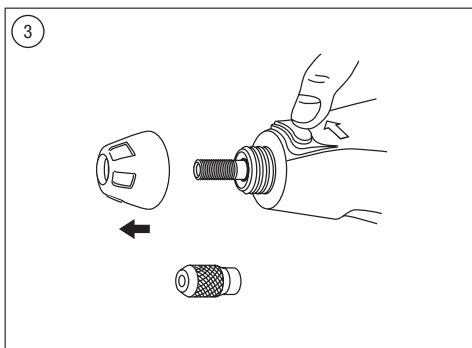
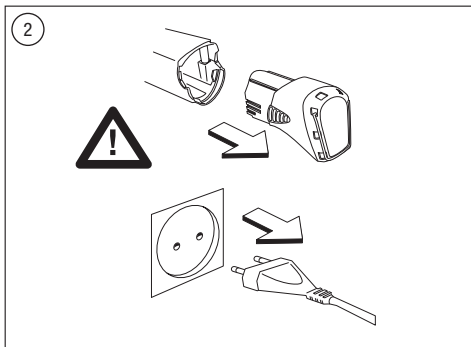
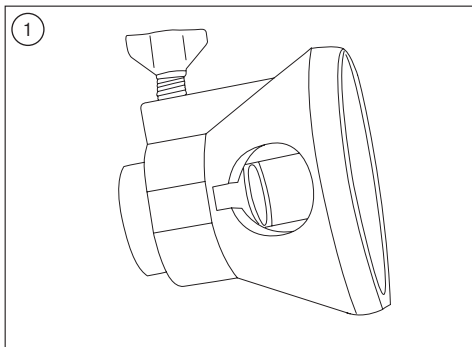
RU Начиная работать с гибким валом, рекомендуем Вам в течение 2 минут позволить приспособлению работать без нагрузки в вертикальном положении, после чего Вы сможете продолжить работу.

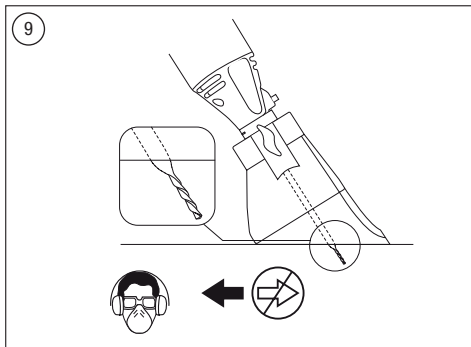
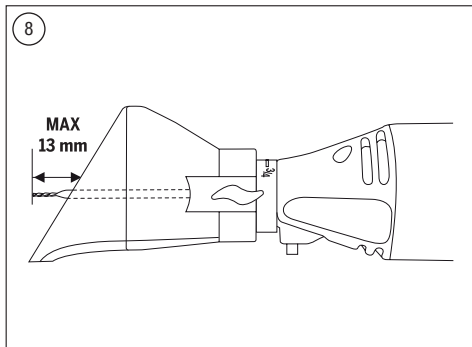
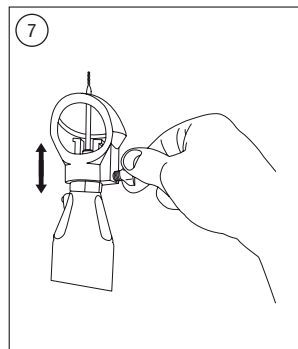
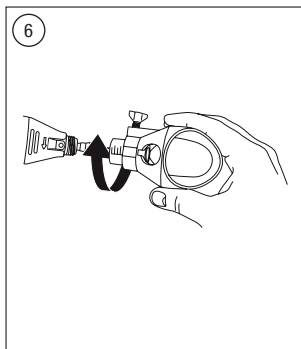
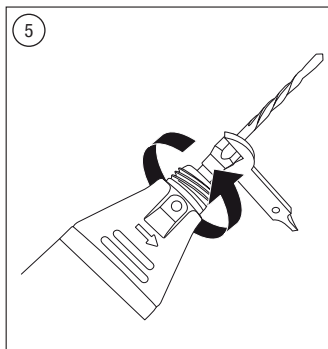
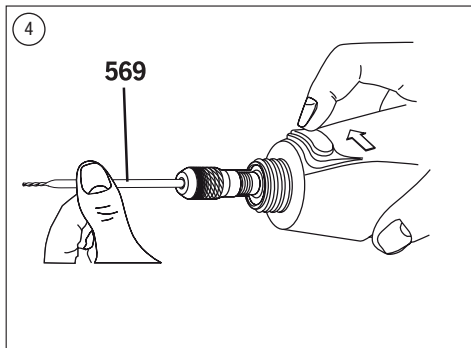
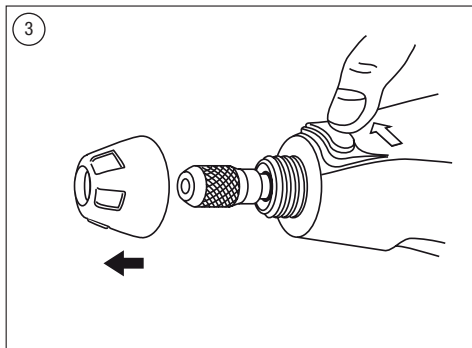
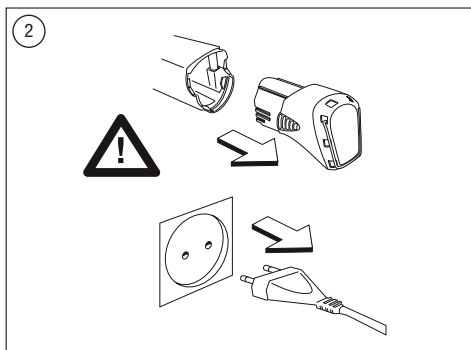
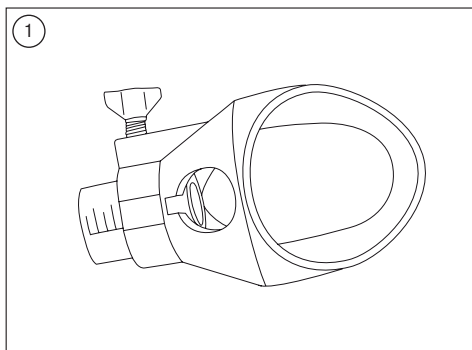
UK Для максимальної продуктивності перед використанням дозволяйте новому гнучкому гребню валу (Flexshaft) попрацювати 2 хвилини на вискій швидкості у вертикальному положенні на інструменті для роторного буріння.

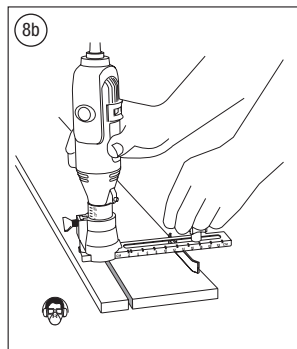
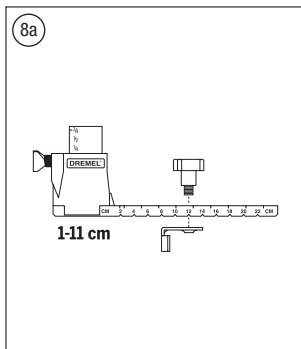
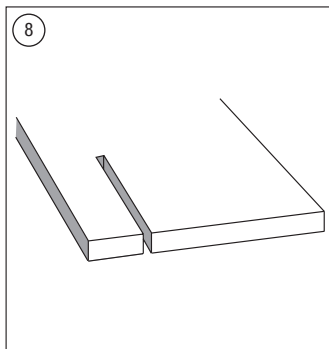
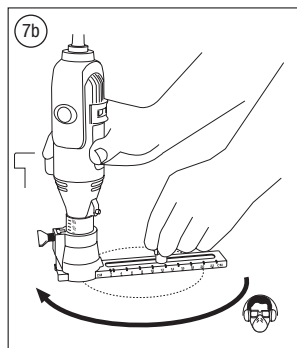
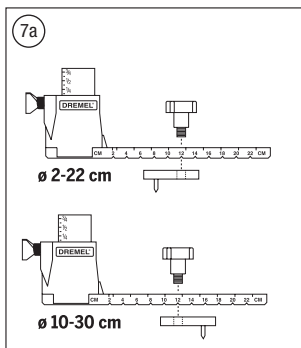
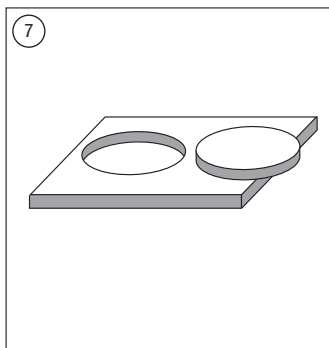
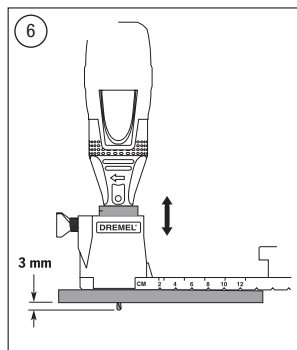
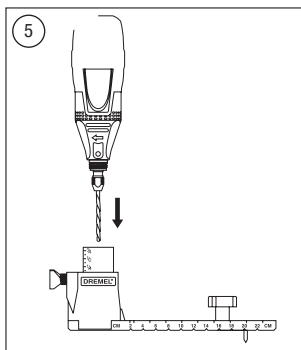
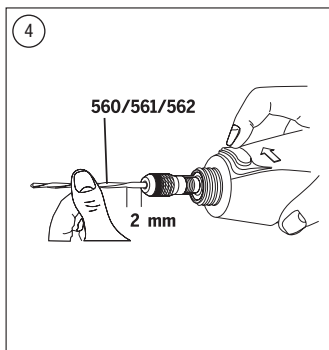
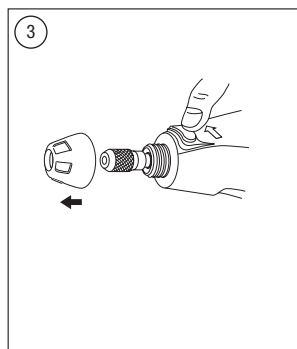
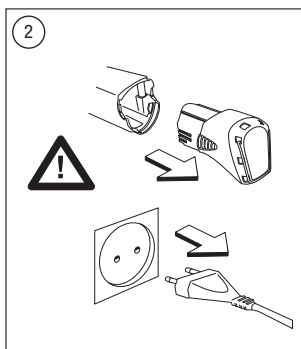
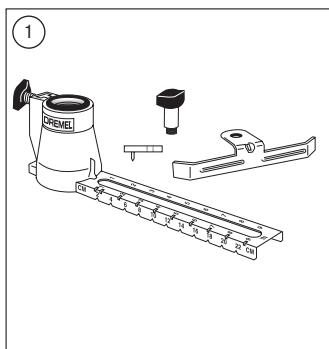
KZ Пайдаланнас бұрын оңтайлы жұмыс үшін жаңа икемді білікті айналымалы құралдың жоғары жылдамдықпен тік күйде 2 минут жұмыс істетіңіз.

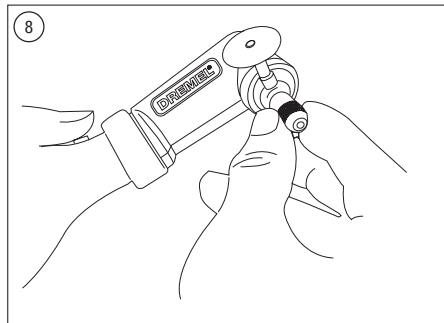
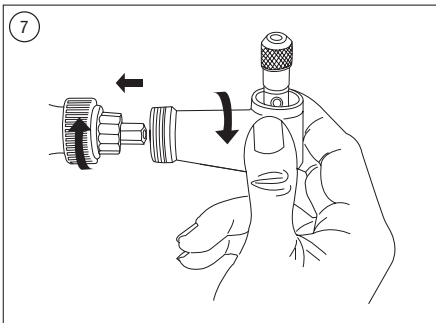
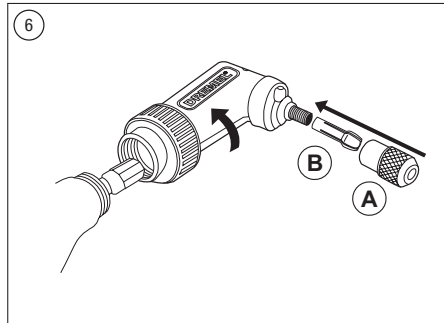
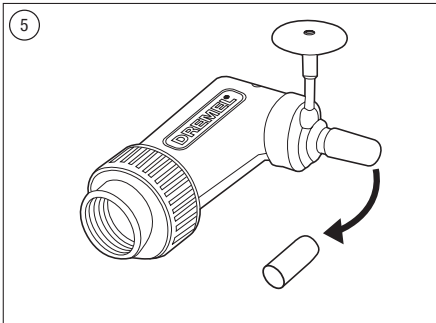
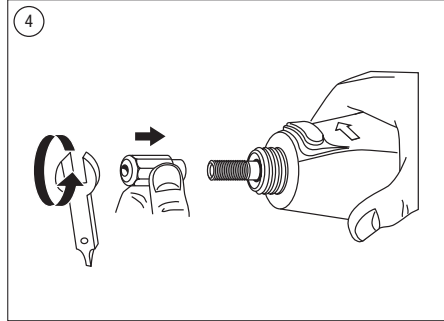
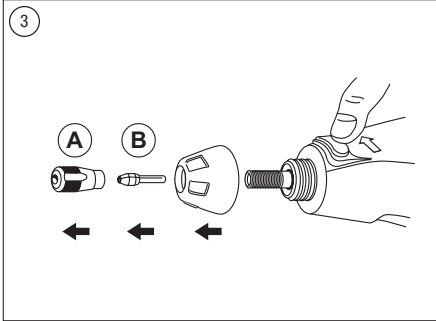
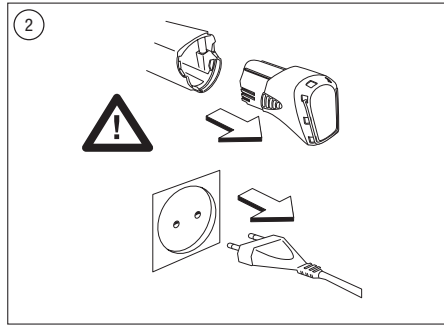
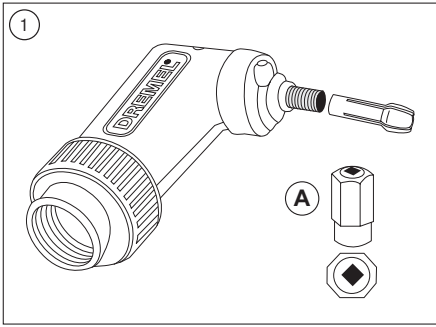


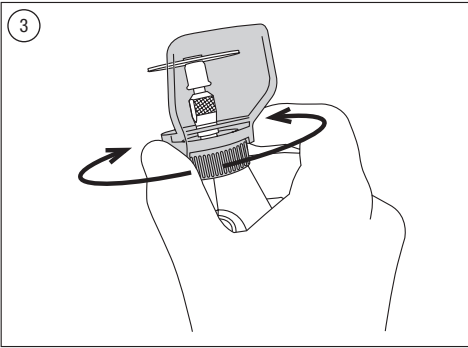
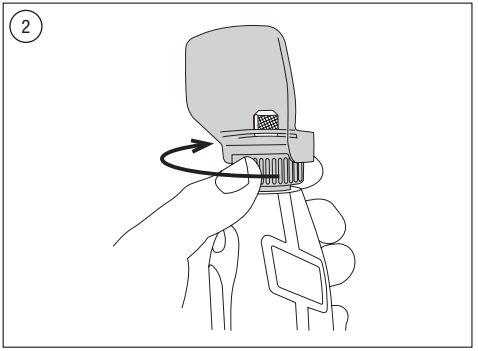
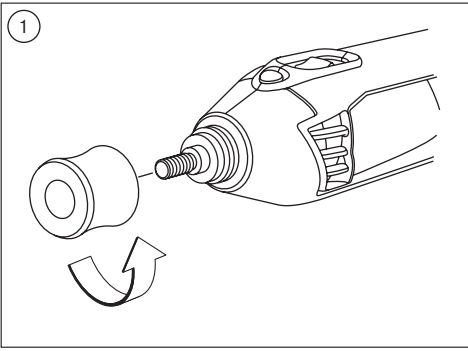














Max RPM



	Max RPM									
105-113	35.000		■	■			■			
114-199	30.000		■	■			■			
403-405	15.000					■	■	■	■	■
407-408	35.000		■	■		■	■	■	■	■
409	35.000	402	■	■		■	■	■		■
414	20.000	401				■	■	■	■	■
420	35.000	402	■	■		■	■	■	■	■
422-425	20.000	401				■	■	■	■	■
426	35.000	402	■	■			■	■		■
428	15.000					■	■	■	■	■
429	20.000	401				■	■	■	■	■
430-438	35.000		■	■		■	■	■	■	■
442-443	15.000					■	■	■	■	■
453-457	30.000	1453				■	■	■		
462	30.000					■	■	■		
502-504	35.000		■	■		■	■	■	■	■
511S-512S	20.000	(SC)402	■	■						
516	20.000					■	■	■	■	■
520	20.000					■	■	■	■	■
530-532	15.000					■	■	■	■	■
535-537	15.000							■		■
538	20.000					■				
540	35.000	402	■	■		■	■	■		■
542	35.000		■	■	■					
546	35.000	670	■	■						
561	35.000	565	■	■	■					
562	35.000	566								
569-570	20.000	568								
612-655	35.000	231/335	■	■						
932-997	25.000					■	■	■	■	■
4485-4486	35.000									
7103-7144	25.000						■	■	■	■
8153-8215	25.000					■	■	■	■	■
9901-9911	30.000			■		■	■	■		
9931-9936	35.000		■	■	■		■			
83322-85602	25.000									
SC406-SC456	35.000	SC402	■	■		■	■	■		■
SC476	35.000	SC402								
SC544	35.000	SC402	■	■	■					
SC545	35.000	SC402								



A series of horizontal lines for handwriting practice, featuring small black squares placed at various intervals along the lines to indicate letter positions.



EU DECLARATION OF CONFORMITY We declare under our sole responsibility that this product is in conformity with the following standards or standardized documents: EN60745, EN55014, EN61000, in accordance with the provisions of the directives 2006/42/EC, 2004/108/EC (until 19 April, 2016), 2014/30/EU (from 20 April 2016), 2011/65/EU.

Noise / Vibration	200	3000	4000	4200
Sound Pressure Level dB(A)	74.5	77.1	78.0	74.4
Sound Power Level dB(a) (standard deviation 3dB)	85.5	88.1	89.0	85.4
Vibration m/s ² (triax vector sum)	12.2	12.8	11.4	18.0
Uncertainty K m/s ²	1.5	1.5	1.5	3.3

NOTE: The declared vibration total value has been measured in accordance with a standard test method and may be used for comparing one tool with another. It may also be used in a preliminary assessment of exposure.

WARNING The vibration emission during actual use of the power tool can differ from the declared total value depending on the ways in which you use the tool. Make an estimation of the exposure in the actual conditions of use and identify the safety measures for personal protection accordingly (taking account of all parts of the operating cycle such as the times when the tool is switched off and when it is running idle in addition to the trigger time).

Technical file at: Dremel (PT-SEU/ENG1), Konijnenberg 60, 4825 BD, Breda, NL



ЗАЯВЛЕНИЕ О СООТВЕТСТВИИ ЕВ. Мы с полной ответственностью заявляем, что это изделие соответствует следующим стандартам или нормативным документам: EN60745, EN55014, EN61000, в соответствии с положениями директив 2006/42/ЕС, 2004/108/ЕС (до 19 апреля 2016 г.), 2014/30/ЕВ (с 20 апреля 2016 г.), 2011/65/ЕВ.

Шум/вибрация	200	3000	4000	4200
Уровень звукового давления, дБ(А)	74,5	77,1	78,0	74,4
Уровень звуковой мощности, дБ(а) (стандартное отклонение 3 дБ)	85,5	88,1	89,0	85,4
Вибрация, м/с ² (векторная сумма трех направлений)	12,2	12,8	11,4	18,0
Неопределенность, м/с ²	1,5	1,5	1,5	3,3

Примечание. Указанный общий уровень вибрации измерен в соответствии со стандартной методикой исследований и может использоваться для сравнения инструментов между собой. Также он может использоваться для предварительной оценки воздействия.

ВНИМАНИЕ Распространение вибрации во время фактического использования электроинструмента может отличаться от указанного общего значения в зависимости от способа применения инструмента. Оценить распространение в реальных условиях использования и применить соответствующие меры безопасности для личной защиты (необходимо учитывать все части рабочего цикла, такие как время, когда инструмент выключен, время, когда инструмент работает на холостом ходу, а также время фактической работы инструмента).

Техническая информация: Dremel (PT-SEU/ENG1), Konijnenberg 60, 4825 BD, Breda, NL



ДЕКЛАРАЦІЯ ЄС ПРО ВІДПОВІДНІСТЬ Ми декларуємо під свою відповідальність, що це обладнання відповідає наступним стандартам або нормативним документам: EN60745, EN55014, EN61000, відповідно до положень Директив 2006/42/PE, 2004/108/PE (до 19 квітня 2016), 2014/30/EC (з 20 квітня 2016), 2011/65/EC.

Шум/вібрація	200	3000	4000	4200
Рівень звукового тиску дБ (А)	74,5	77,1	78,0	74,4
Рівень звукового тиску дБ (а) (стандартне відхилення 3 дБ)	85,5	88,1	89,0	85,4
Вібрація м/с ² (триаксальна векторна сума)	12,2	12,8	11,4	18,0
Поправка К м/с ²	1,5	1,5	1,5	3,3

Увага: Задекларований загальний рівень вібрації вимірювався за стандартним методом випробування і може використовуватися для порівняння з іншим обладнанням. Він також може застосовуватися для попередньої оцінки впливу.

УВАГА Рівень вібрації під час звичайної експлуатації електроінструменту може відрізнятися від задекларованого загального показника в залежності від того, яким чином обладнання використовується. Оцінити вірогідність вибуху у фактичних умовах експлуатації та визначити заходи безпеки з метою відповідного особистого захисту (враховуючи всі деталі технологічного циклу, як то час, коли обладнання було вимкнено, коли воно працює без навантаження, а також час запуску).

Технічна документація знаходиться у: Dremel (PT-SEU/ENG1), Konijnenberg 60, 4825 BD, Breda, NL



ЕО ТАЛАПТАРґА СӘЙКЕСТІК ДЕКЛАРАЦИЯСЫ Бұл өнім менде көрсетілген стандарттар мен стандартталған құжаттардың талаптарына сәйкес келетін жөндегі жауапкершілікті өз мойнымызға аламыз: EN60745, EN55014, EN61000 стандарттары, 2006/42/EC, 2004/108/EC (19 сәуір, 2016 жылға дейін), 2014/30/EU (20 сәуір 2016 жылдан бастап), 2011/65/EU директиваларының шарттарына сәйкес.

Шу / Діріл	200	3000	4000	4200
Дыбыс қысымының деңгейі дБ(А)	74,5	77,1	78,0	74,4
Дыбыс қуышын деңгейі дБ(а) (стандартты ауыту 3 дБ)	85,5	88,1	89,0	85,4
Діріл м/с ² (триаксиалды вектордың жалпы көрсеткіші)	12,2	12,8	11,4	18,0
Өзгермелі К м/с ²	1,5	1,5	1,5	3,3

ЕСКЕРТЕ: Мәлімденген дірілдің жалпы мәні стандартты сынақ әдісі бойынша өлшенді және оны құралдарды бір-бірімен салыстыру үшін пайдалануға болады. Оны, сондай-ақ, экспозицияны алдын ала бағалау үшін де пайдалануға болады.

WARNING Механикалық құралдың нақты қолданысы кезіндегі діріл шығысы құралды қалай пайдаланып жатқаныңызға байланысты мәлімденген жалпы мәннен өзгеше болуы мүмкін. Дірілдің шығысын нақты қолдану жағдайында бағалаңыз және (құралдың өшірілген уақыты мен оның іске қосылған уақытына қарамастан) бос жұмыс істеу уақыты сияқты кезеңдердің барлық бөлігін ескеріңіз және құрылғының шараларын тиісті түрде белгілеңіз.

Техникалық файдың орны: Dremel (PT-SEU/ENG1), Konijnenberg 60, 4825 BD, Breda, NL

Dremel

Marijn van der Hoofden
Operations & Engineering

Olaf Dijkgraaf
Approval Manager

Konijnenberg 60,
4825 BD Breda,
The Netherlands

Breda, 11-01-2016

USED SYMBOLS



READ THESE INSTRUCTIONS



USE HEARING PROTECTION



USE EYE PROTECTION



USE A DUST MASK



CLASS II CONSTRUCTED

DO NOT DISPOSE OF ELECTRIC TOOLS,
ACCESSORIES AND PACKAGING
TOGETHER WITH HOUSEHOLD WASTE
MATERIALGENERAL POWER TOOL SAFETY
WARNINGS**WARNING**READ ALL SAFETY
WARNINGS AND ALL
INSTRUCTIONS.

Failure to follow the warnings and instructions may result in electric shock, fire and/or serious injury.

Save all warnings and instructions for future reference.

The term "power tool" in the warnings refers to your mains-operated (corded) power tool or battery-operated (cordless) power tool.

WORK AREA SAFETY

- Keep work area clean and well lit. Cluttered and dark areas invite accidents.
- Do not operate power tools in explosive atmospheres, such as in the presence of flammable liquids, gases or dust. Power tools create sparks which may ignite the dust or fumes.
- Keep children and bystanders away while operating a power tool. Distractions can cause you to lose control.

ELECTRICAL SAFETY

- Power tool plug must match the outlet. Never modify the plug in any way. Do not use any adapter plugs with earthed (grounded) power tools. Unmodified plugs and matching outlets will reduce risk of electric shock.
- Avoid body contact with earthed or grounded surfaces such as pipes, radiators, ranges and refrigerators. There is an increased risk of electric shock if your body is earthed or grounded.
- Do not expose power tools to rain or wet conditions. Water entering a power tool will increase the risk of electric shock.
- Do not abuse the cord. Never use the cord for carrying, pulling or unplugging the power tool. Keep cord away from heat, oil, sharp edges or moving parts. Damaged or entangled cords increase the risk of electric shock.

- When operating a power tool outdoors, use an extension cord suitable for outdoor use. Use of a cord suitable for outdoor use reduces the risk of electric shock.
- If operating a power tool in a damp location is unavoidable, use an earth leakage circuit breaker (ELCB) protected supply. Use of an earth leakage circuit breaker reduces the risk of electric shock.

PERSONAL SAFETY

- Stay alert, watch what you are doing and use common sense when operating a power tool. Do not use a power tool while you are tired or under the influence of drugs, alcohol or medication. A moment of inattention while operating power tools may result in serious personal injury.
- Use personal protective equipment. Always wear eye protection. Protective equipment such as dust mask, non-skid safety shoes, hard hat, or hearing protection used for appropriate conditions will reduce personal injuries.
- Prevent unintentional starting. Ensure the switch is in the off-position before connecting to power source and/or battery pack, picking up or carrying the tool. Carrying power tools with your finger on the switch or energising power tools that have the switch on invites accidents.
- Remove any adjusting key or wrench before turning the power tool on. A wrench or a key left attached to a rotating part of the power tool may result in personal injury.
- Do not overreach. Keep proper footing and balance at all times. This enables better control of the power tool in unexpected situations.
- Dress properly. Do not wear loose clothing or jewellery. Keep your hair, clothing and gloves away from moving parts. Loose clothes, jewellery or long hair can be caught in moving parts.
- If devices are provided for the connection of dust extraction and collection facilities, ensure these are connected and properly used. Use of these devices can reduce dust related hazards.

POWER TOOL USE AND CARE

- Do not force the power tool. Use the correct power tool for your application. The correct power tool will do the job better and safer at the rate for which it was designed.
- Do not use the power tool if the switch does not turn it on and off. Any power tool that cannot be controlled with the switch is dangerous and must be repaired.
- Disconnect the plug from the power source and/or the battery pack from the power tool before making any adjustments, changing accessories, or storing power tools. Such preventive safety measures reduce the risk of starting the power tool accidentally.
- Store idle power tools out of the reach of children and do not allow persons unfamiliar with the power tool or these instructions to operate the power tool. Power tools are dangerous in the hands of untrained users.
- Maintain power tools. Check for misalignment or binding of moving parts, breakage of parts and any other condition that may affect the power tools operation. If damaged, have the power tool repaired before use. Many accidents are caused by poorly maintained power tools.
- Keep cutting tools sharp and clean. Properly maintained cutting tools with sharp cutting edges are less likely to bind and are easier to control.
- Use the power tool, accessories and tool bits etc., in accordance with these instructions, taking into account the working conditions and the work to be performed. Use of the power tool for operations different from those intended could result in a hazardous situation.

SERVICE

- Have your power tool serviced by a qualified repair person using only identical replacement parts. This will ensure that the safety of the power tool is maintained.

SAFETY INSTRUCTIONS FOR ALL OPERATIONS

SAFETY WARNINGS COMMON FOR GRINDING, SANDING, WIRE BRUSHING, POLISHING, CARVING OR ABRASIVE CUTTING-OFF OPERATIONS

- a. This power tool is intended to function as a grinder, sander, wire brush, polisher, carving or cut-off tool. Read all safety warnings, instructions, illustrations and specifications provided with this power tool. Failure to follow all instructions listed below may result in electric shock, fire and/or serious injury.
- b. Do not use accessories which are not specifically designed and recommended by the tool manufacturer. Just because the accessory can be attached to your power tool, it does not assure safe operation.
- c. The rated speed of the grinding accessories must be at least equal to the maximum speed marked on the power tool. Grinding accessories running faster than their rated speed can break and fly apart.
- d. The outside diameter and the thickness of your accessory must be within the capacity rating of your power tool. Incorrectly sized accessories cannot be adequately controlled.
- e. The arbour size of wheels, sanding drums or any other accessory must properly fit the spindle or collet of the power tool. Accessories that do not match the mounting hardware of the power tool will run out of balance, vibrate excessively and may cause loss of control.
- f. Mandrel mounted wheels, sanding drums, cutters or other accessories must be fully inserted into the collet or chuck. If the mandrel is insufficiently held and/or the overhang of the wheel is too long, the mounted wheel may become loose and be ejected at high velocity.
- g. Do not use a damaged accessory. Before each use inspect the accessory such as abrasive wheels for chips and cracks, sanding drum for cracks, tear or excess wear, wire brush for loose or cracked wires. If power tool or accessory is dropped, inspect for damage or install an undamaged accessory. After inspecting and installing an accessory, position yourself and bystanders away from the plane of the rotating accessory and run the power tool at maximum no-load speed for one minute. Damaged accessories will normally break apart during this test time.
- h. Wear personal protective equipment. Depending on application, use face shield, safety goggles or safety glasses. As appropriate, wear dust mask, hearing protectors, gloves and workshop apron capable of stopping small abrasive or workpiece fragments. The eye protection must be capable of stopping flying debris generated by various operations. The dust mask or respirator must be capable of filtering particles generated by your operation. Prolonged exposure to high intensity noise may cause hearing loss.
- i. Keep bystanders a safe distance away from work area. Anyone entering the work area must wear personal protective equipment. Fragments of workpiece or of a broken accessory may fly away and cause injury beyond immediate area of operation.
- j. Hold power tool by insulated gripping surfaces only, when performing an operation where the cutting accessory may contact hidden wiring or its own cord. Cutting accessory contacting a "live" wire may make exposed metal parts of the power tool "live" and could give the operator an electric shock.
- k. Always hold the tool firmly in your hand(s) during the start-up. The reaction torque of the motor, as it accelerates to full speed, can cause the tool to twist.
- l. Use clamps to support workpiece whenever practical. Never hold a small workpiece in one hand and the tool in the other hand while in use. Clamping a small workpiece allows you to use your hand(s) to control the tool. Round material such as dowel rods, pipes or tubing

have a tendency to roll while being cut, and may cause the bit to bind or jump toward you.

- m. Position the cord clear of the spinning accessory. If you lose control, the cord may be cut or snagged and your hand or arm may be pulled into the spinning accessory.
- n. Never lay the power tool down until the accessory has come to a complete stop. The spinning accessory may grab the surface and pull the power tool out of your control.
- o. After changing the bits or making any adjustments, make sure the collet nut, chuck or any other adjustment devices are securely tightened. Loose adjustment devices can unexpectedly shift, causing loss of control, loose rotating components will be violently thrown.
- p. Do not run the power tool while carrying it at your side. Accidental contact with the spinning accessory could snag your clothing, pulling the accessory into your body.
- q. Regularly clean the power tool's air vents. The motor's fan will draw the dust inside the housing and excessive accumulation of powdered metal may cause electrical hazards.
- r. Do not operate the power tool near flammable materials. Sparks could ignite these materials.
- s. Do not use accessories that require liquid coolants. Using water or other liquid coolants may result in electrocution or shock.

KICKBACK AND RELATED WARNINGS

Kickback is a sudden reaction to a pinched or snagged rotating wheel, sanding band, brush or any other accessory. Pinching or snagging causes rapid stalling of the rotating accessory which in turn causes the uncontrolled power tool to be forced in the direction opposite of the accessory's rotation.

For example, if an abrasive wheel is snagged or pinched by the workpiece, the edge of the wheel that is entering into the pinch point can dig into the surface of the material causing the wheel to climb out or kick out. The wheel may either jump toward or away from the operator, depending on direction of the wheel's movement at the point of pinching. Abrasive wheels may also break under these conditions.

Kickback is the result of power tool misuse and/or incorrect operating procedures or conditions and can be avoided by taking proper precautions as given below.

- a. Maintain a firm grip on the power tool and position your body and arm to allow you to resist kickback forces. The operator can control kickback forces, if proper precautions are taken.
- b. Use special care when working corners, sharp edges etc. Avoid bouncing and snagging the accessory. Corners, sharp edges or bouncing have a tendency to snag the rotating accessory and cause loss of control or kickback.
- c. Do not attach a toothed saw blade. Such blades create frequent kickback and loss of control.
- d. Always feed the bit into the material in the same direction as the cutting edge is exiting from the material (which is the same direction as the chips are thrown). Feeding the tool in the wrong direction causes the cutting edge of the bit to climb out of the work and pull the tool in the direction of this feed.
- e. When using rotary files, cut-off wheels, high-speed cutters or tungsten carbide cutters, always have the work securely clamped. These wheels will grab if they become slightly canted in the groove, and can kickback. When a cut-off wheel grabs, the wheel itself usually breaks. When a rotary file, high-speed cutter or tungsten carbide cutter grabs, it may jump from the groove and you could lose control of the tool.

SAFETY WARNINGS SPECIFIC FOR GRINDING AND ABRASIVE CUTTING-OFF OPERATIONS

- a. Use only wheel types that are recommended for your power tool and only for recommended applications. For example: do not grind with the side of a cut-off wheel. Abrasive cut-off wheels are intended for peripheral grinding,

side forces applied to these wheels may cause them to shatter.

- b. For threaded abrasive cones and plugs use only undamaged wheel mandrels with an unrelieved shoulder flange that are of correct size and length. Proper mandrels will reduce the possibility of breakage.
- c. Do not "jam" a cut-off wheel or apply excessive pressure. Do not attempt to make an excessive depth of cut. Overstressing the wheel increases the loading and susceptibility to twisting or snagging of the wheel in the cut and the possibility of kickback or wheel breakage.
- d. Do not position your hand in line with and behind the rotating wheel. When the wheel, at the point of operation, is moving away from your hand, the possible kickback may propel the spinning wheel and the power tool directly at you.
- e. When wheel is pinched, snagged or when interrupting a cut for any reason, switch off the power tool and hold the power tool motionless until the wheel comes to a complete stop. Never attempt to remove the cut-off wheel from the cut while the wheel is in motion otherwise kickback may occur. Investigate and take corrective action to eliminate the cause of wheel pinching or snagging.
- f. Do not restart the cutting operation in the workpiece. Let the wheel reach full speed and carefully re-enter the cut. The wheel may bind, walk up or kickback if the power tool is restarted in the workpiece.
- g. Support panels or any oversized workpiece to minimize the risk of wheel pinching and kickback. Large workpieces tend to sag under their own weight. Supports must be placed under the workpiece near the line of cut and near the edge of the workpiece on both sides of the wheel.
- h. Use extra caution when making a "pocket cut" into existing walls or other blind areas. The protruding wheel may cut gas or water pipes, electrical wiring or objects that can cause kickback.

SAFETY WARNINGS SPECIFIC FOR WIRE BRUSHING OPERATIONS

- a. Be aware that wire bristles are thrown by the brush even during ordinary operation. Do not overstress the wires by applying excessive load to the brush. The wire bristles can easily penetrate light clothing and/or skin.
- b. Allow brushes to run at operating speed for at least one minute before using them. During this time no one is to stand in front or in line with the brush. Loose bristles or wires will be discharged during the run-in time.
- c. Direct the discharge of the spinning wire brush away from you. Small particles and tiny wire fragments may be discharged at high velocity during the use of these brushes and may become imbedded in your skin.
- d. Do not exceed 15,000 RPM when using wire brushes.

WARNING DO NOT WORK WITH MATERIALS CONTAINING ASBESTOS (ASBESTOS IS CONSIDERED CARCINOGENIC).

WARNING TAKE PROTECTIVE MEASURES WHEN DURING WORK DUST CAN DEVELOP THAT IS HARMFUL TO ONE'S HEALTH, COMBUSTIBLE OR EXPLOSIVE (SOME DUSTS ARE CONSIDERED CARCINOGENIC); WEAR A DUST MASK AND WORK WITH DUST/CHIP EXTRACTION WHEN CONNECTABLE.

ENVIRONMENT

DISPOSAL

The machine, accessories and packaging should be sorted for environmental-friendly recycling.


ONLY FOR EC COUNTRIES



Do not dispose of power tools with household waste! According to the European Guideline 2012/19/EC for Waste Electrical and Electronic Equipment and its implementation into national law, power tools that are no longer usable must be collected separately and disposed of in an environmentally-correct manner.

SPECIFICATIONS

GENERAL SPECIFICATIONS

	200	3000	4000	4200
Rated Power (W)	125	130	175	175
Voltage Rating	230-240 V, 50 Hz	230 V, 50 Hz	230-240 V, 50-60 Hz	220-240 V, 50-60 Hz
Collet Capacity	0.8 mm, 1.6 mm, 2.4 mm, 3.2 mm			
Rated Speed (n)	35,000 RPM	33,000 RPM	35,000 RPM	33,000 RPM
 Class II Construction	Double insulated construction tools			

EXTENSION CORDS

Use completely unrolled and safe extension cords with a capacity of 5 Amps.

MOTOR SPECIFICATIONS

Only 3000

This multitool utilizes a variable high speed motor. It is wired for operation on 230 V, 50 Hz. Always check that the supply voltage is the same as the voltage indicated on the nameplate of the tool.

ASSEMBLY

ALWAYS UNPLUG MULTITOOL BEFORE CHANGING ACCESSORIES, CHANGING COLLETS, OR SERVICING THE TOOL.

GENERAL

The Dremel multitool is a high quality precision tool that can be used to perform detailed and intricate tasks. The wide range of Dremel accessories and attachments allow you to perform a large variety of tasks. These include tasks such as sanding, carving, engraving, routing, cleaning and polishing.

PICTURE: 2-5

- A. Collet nut
 - B. Collet
 - C. Housing cap or EZ Twist™ integrated wrench/nose cap
 - D. Shaft lock button
 - E. On/Off switch
 - F. Hanger
 - G. Power cord
 - H. Brush cover
 - I. Ventilation openings
 - J. Variable speed dial
 - K. Collet wrench
- EZ information
 - Only 4200**
 - L. EZ Change levers
 - M. EZ Change chuck

COLLETS

The Dremel accessories available for the multitool come with various shank sizes. Four size collets are available to accommodate the different shank sizes. Collet sizes are identified by the rings on the back of the collet.

PICTURE 6

- A. Collet nut
 - N. 3.2 mm Collet without ring (480)
 - O. 2.4 mm Collet with three rings (481)
 - P. 1.6 mm Collet with two rings (482)
 - Q. 0.8 mm Collet with one ring (483)
 - R. Identification rings
- NOTE: Some multitool kits may not include all four collet sizes. Collets are available separately.*

Always use the collet that matches the shank size of the accessory you plan to use. Do not force a larger diameter shank into a smaller collet.

CHANGING COLLETS

PICTURE 7 (200)

PICTURE 11 (3000/4000)

PICTURE 19 (4200)

- A. Collet nut
- C. Housing cap (EZ Twist™)
- D. Shaft lock button
- K. Collet wrench
- S. To loosen
- T. To tighten

1. Press the shaft lock button, hold down and rotate the shaft by hand until it engages the shaft lock. Do not engage the shaft lock button while multitool is running.
2. With the shaft lock button engaged, loosen and remove the collet nut. Use the collet wrench if necessary.
3. Remove the collet by pulling it free from the shaft.
4. Install the appropriate size collet fully into the shaft and reinstall the collet nut finger tight. Do not fully tighten the nut when there is no bit or accessory installed.

CHANGING ACCESSORIES

PICTURE 8

1. Press the shaft lock button and rotate the shaft by hand until it engages the shaft lock. Do not engage the shaft lock button while multitool is running.
 2. With the shaft lock button engaged, loosen (do not remove) the collet nut. Use the collet wrench if necessary.
 3. Insert the bit or accessory shank fully into the collet.
 4. With the shaft lock button engaged, finger tighten the collet nut until the bit or accessory shank is gripped by the collet.
- NOTE: Be sure to read the instructions supplied with your Dremel accessory for further information on its use.*

Use only Dremel tested, high performance accessories.

EZ TWIST™ INTEGRATED WRENCH/NOSE CAP

Only 3000 and 4000

PICTURE 11

- C. EZ Twist™ integrated wrench/nose cap

This nose cap has an integrated wrench allowing you to loosen and tighten the collet nut without the use of the standard collet wrench.

1. Unscrew the nose cap from the tool, line-up the steel insert on inside of the cap with the collet nut.
2. With the shaft lock engaged twist nose cap counter clockwise to loosen the collet nut. Do not engage the shaft lock button while multitool is running.
3. Insert the bit or accessory shank fully into the collet.
4. With the shaft lock engaged twist nose cap clockwise to tighten the collet nut.

5. Screw the nose cap back into its original position.

NOTE: Be sure to read the instructions supplied with your Dremel accessory for further information on its use.

Use only Dremel tested, high performance accessories.

BALANCING ACCESSORIES

For precision work, it is important that all accessories be in good balance (much the same as the tires on your automobile). To true up or balance an accessory, slightly loosen collet nut and give the accessory or collet a 1/4 turn. Re tighten collet nut and run the Rotary Tool. You should be able to tell by the sound and feel if your accessory is running in balance. Continue adjusting in this fashion until best balance is achieved.

USING ATTACHMENTS

Your Dremel can be equipped with different attachments that expand the functionality of your tool.

NOTE

Not all attachments listed below are included in your kit. Use only Dremel tested, high performance attachments! You can order attachments through the Dremel Service Center or go to www.dremel.com for attachment and accessory compatibility.

1. Use the Flexible Shaft (225) for precise, detailed work or hard to reach places. SEE PAGE 7.

NOTE

For optimum performance allow your new Flexshaft to run at high speed on your multitool in a vertical position for 2 minutes before use.

2. Use the Dremel Shaping Platform (576) to sand and grind at perfect 90 and 45 degree angles. SEE PAGE 9.
3. Use the Dremel Detailer's Grip (577) to have even better control of your Multitool. SEE PAGE 8.
4. Use the Multipurpose Cutting Kit (565/566) for controlled cutting in a variety of materials. SEE PAGE 10.
5. Use the Wall & Floor Grout Removal Kit (568) for removing grout from between wall and floor tiles. SEE PAGE 11.
6. Use the Line & Circle Cutter (678) to make perfect holes and straight cuts. SEE PAGE 12.
7. Use the Right Angle Attachment (575) to use accessories in right angle for hard to reach places. SEE PAGE 13.
8. Use the Comfort Guard Attachment to protect you from dust and sparks. SEE PAGE 14.

GETTING STARTED

USE

The first step in using the multitool is to get the "feel" of it. Hold it in your hand and feel its weight and balance. Feel the taper of the housing. This taper permits the tool to be grasped much like a pen or pencil.

Always hold the tool away from your face. Accessories can be damaged during handling and can fly apart as they come up to speed.

When holding tool, do not cover the ventilation openings with your hand. Blocking the ventilation openings could cause the motor to overheat.

IMPORTANT! Practice on scrap material first to see how the tool's high-speed action performs. Keep in mind that your multitool will perform best by allowing the speed, along with the correct Dremel accessory and attachment, to do the work for you. Do not put pressure on the tool during use, if possible. Instead, lower the spinning accessory lightly to the work surface and allow it to touch the point at which you want to begin. Concentrate on guiding the tool over the work using very little pressure from your hand. Allow the accessory to do the work. Usually it is better to make a series of passes with the tool

rather than to do the entire job with one pass. A gentle touch gives the best control and reduces the chance of error.

HOLDING THE TOOL

For best control in close work, grip the multitool like a pencil between your thumb and forefinger. PICTURE 13
The "golf" grip method is used for heavier operations such as grinding or cutting. PICTURE 14

OPERATING SPEEDS

To select the right speed for each job, use a practice piece of material.

SLIDE "ON/OFF" SWITCH

The tool is switched "ON" by the slide switch located on the top side of the motor housing.

TO TURN THE TOOL "ON", slide the switch button forward.
TO TURN THE TOOL "OFF", slide the switch button backward.

HIGH PERFORMANCE MOTOR

Your tool is equipped with a high performance rotary tool motor. This motor expands the versatility of the rotary tool by driving additional Dremel attachments.

ELECTRONIC FEEDBACK

Your tool is equipped with an internal electronic feedback system that provides a "soft start", which will reduce the stresses that occur from a high torque start. The system also helps to keep the preselected speed virtually constant between no-load and load conditions.

VARIABLE SPEED DIAL

Your tool is equipped with a variable speed dial. The speed may be adjusted during operation by presetting the dial on or between any one of the settings.

The speed of Rotary Tool is controlled by setting this dial on the housing. PICTURE 12

Settings for Approximate Revolutions

Switch Settings	Speed Range (RPM)
200 Model	
Low	15,000
High	35,000
3000 Model	
Switch Settings	Speed Range (RPM)
1-2	10,000-14,000
3-4	15,000-19,000
5-6	20,000-23,000
7-8	24,000-28,000
9-10	29,000-33,000
4000 and 4200 Model	
Switch Settings	Speed Range (RPM)
5	5,000
10	10,000
*15	15,000
20	20,000
25	25,000
30	30,000
33 (4000 only)	33,000
35 (4200 only)	35,000

* Do not exceed 15,000 RPM when using wire brushes.

Refer to the Speed Settings chart on pages 4-7 to help determine the proper speed for the material being worked on and the accessory to use.

Most jobs can be accomplished using the tool at the highest setting. However, certain materials (some plastics and metals) can be damaged by high-speed generated heat and should be worked on at relatively low speeds. Low speed operation (15,000 RPM or less) is usually best for polishing operations employing the felt polishing accessories. All brushing applications require lower speeds to avoid wire discharge from the holder. Let the performance of the tool do the work for you when using lower speed settings. Higher speeds are better for hardwoods, metals and glass and for drilling, carving, cutting, routing and shaping.

Some guidelines regarding tool speed:

- Plastic and other materials that melt at low temperatures should be cut at low speeds.
- Polishing, buffing and cleaning with a wire brush must be done at speeds no greater than 15,000 RPM to prevent damage to the brush and your material.
- Wood should be cut at high speed.
- Iron or steel should be cut at high speed.
- If a high speed steel cutter starts to vibrate, it usually indicates that it is running too slowly.
- Aluminium, copper alloys, lead alloys, zinc alloys and tin may be cut at various speeds, depending on the type of cutting being done. Use a paraffin (not water) or other suitable lubricant on the cutter to prevent the cut material from adhering to the cutter teeth.

NOTE: Increasing pressure on the tool is not the answer when it is not performing properly. Try a different accessory or speed setting to achieve the desired result.

MAINTENANCE AND REPAIR

WARNING ALWAYS UNPLUG THE TOOL FROM THE POWER SOURCE BEFORE YOU MAKE ANY ADJUSTMENTS, CHANGE ACCESSORIES, SERVICE, CLEAN, ETC. THIS REDUCES THE RISK OF STARTING THE TOOL ACCIDENTALLY.

WARNING HAVE YOUR POWER TOOL SERVICED BY A QUALIFIED REPAIR PERSON WHO USES ONLY IDENTICAL REPLACEMENT PARTS. WE RECOMMEND THAT ALL TOOL SERVICE BE PERFORMED BY A DREMEL SERVICE CENTRE. THIS WILL ENSURE THE SAFETY OF THE TOOL. MAINTENANCE PERFORMED BY UNAUTHORIZED PERSONNEL CAN RESULT IN INCORRECT CONNECTION OF INTERNAL WIRING AND COMPONENTS WHICH CAN CAUSE SERIOUS HAZARD.

NOTE

You can only inspect and replace the carbon brushes. There are no other serviceable parts inside the tool.

CLEANING

1. Clean ventilation openings, switch and levers of the tool with compressed dry air.

WARNING DO NOT CLEAN THE TOOL BY INSERTING POINTED OBJECTS THROUGH AN OPENING.

WARNING WEAR SAFETY GOGGLES TO PROTECT YOUR EYES.

2. Clean the surface of the tool with a damp cloth.

**WARNING**

DO NOT CLEAN THE TOOL WITH CLEANING AGENTS AND SOLVENTS, SUCH AS GASOLINE, CARBON TETRACHLORIDE, CHLORINATED CLEANING SOLVENTS, AMMONIA AND HOUSEHOLD DETERGENTS THAT CONTAIN AMMONIA. THEY CAN CAUSE DAMAGE TO THE PLASTIC PARTS.

MAINTAINING THE CARBON BRUSHES*Excluding 4000*

To maintain peak efficiency of the motor, inspect the brushes for wear every 40-50 hours of use. Also inspect the brushes when the tool runs erratically, loses power, or makes unusual noises.

**WARNING**

USING THE TOOL WITH WORN BRUSHES WILL PERMANENTLY DAMAGE THE MOTOR. USE ONLY ORIGINAL DREMEL REPLACEMENT BRUSHES.

1. Unplug the tool and place it on a clean surface.
2. Remove the two brush caps with the tool wrench as a screwdriver. PICTURE 15 (200/3000), PICTURE 17 (4200).
3. Remove the two brushes from the tool by pulling the springs that are attached. PICTURE 16 (200/3000), PICTURE 18 (4200).
4. Inspect both brushes. If a brush is less than 3mm long and/ or the surface of the brush is rough or pitted, replace the carbon brush by a new one.
 - a. Remove the spring from the brush.
 - b. Throw away the old brush and place the spring on a new brush.

NOTE

If one brush is worn, you should replace both brushes for better performance of your tool.

5. Place the carbon brushes (with spring) back into the tool. There is only one way the brush will fit back into the tool.
6. Replace the brush caps by turning the caps clockwise. To tighten, use the wrench, but do not over tighten!
7. Refer to First use to start using the tool again.

SERVICE AND WARRANTY**WARNING**

NO USER SERVICEABLE PARTS INSIDE. PREVENTIVE MAINTENANCE PERFORMED BY UNAUTHORIZED PERSONNEL MAY RESULT IN INCORRECT CONNECTION OF INTERNAL WIRING AND COMPONENTS WHICH COULD CAUSE SERIOUS HAZARD. We recommend that all tool service be performed by a Dremel Service Centre. *SERVICEMEN: Disconnect the tool and/or charger from the power source before servicing.*

This DREMEL product is guaranteed in accordance with statutory/country-specific regulations; damage due to normal wear and tear, overload or improper handling are excluded from the warranty.

In case of a complaint, send the undismantled tool or charger and proof of purchase to your dealer.

CONTACT DREMEL

For more information on the Dremel product range, support and hotline, go to www.dremel.com.

Dremel, Konijnenberg 60, 4825 BD, Breda, The Netherlands

ПЕРЕВОД ОРИГИНАЛЬНЫХ ИНСТРУКЦИЙ**ИСПОЛЪЗУЕМЫЕ СИМВОЛЫ****ПРОЧИТЕ ДАННЫЕ ИНСТРУКЦИИ****ИСПОЛЪЗУЙТЕ СРЕДСТВА ЗАЩИТЫ ОРГАНОВ СЛУХА****ИСПОЛЪЗУЙТЕ СРЕДСТВА ЗАЩИТЫ ГЛАЗ****ИСПОЛЪЗУЙТЕ ПРОТИВОПЫЛЕВЫЙ РЕСПИРАТОР****КОНСТРУКЦИЯ КЛАССА II****НЕ ВЫБРАСЫВАЙТЕ ЭЛЕКТРИЧЕСКИЙ ИНСТРУМЕНТ, НАСАДКИ И УПАКОВКУ ВМЕСТЕ С БЫТОВЫМ МУСОРОМ****ОБЩИЕ ПРЕДУПРЕЖДЕНИЯ ПО БЕЗОПАСНОСТИ ПРИ ИСПОЛЪЗОВАНИИ ЭЛЕКТРИЧЕСКОГО ИНСТРУМЕНТА****ВНИМАНИЕ****ПРОЧИТЕ ВСЕ ИНСТРУКЦИИ И ПРЕДУПРЕЖДЕНИЯ ПО БЕЗОПАСНОСТИ.**

Несоблюдение этих инструкций и мер безопасности может привести к поражению электрическим током, возникновению пожара и/или получению серьезных травм. Сохраните инструкции и предупреждения для последующего использования.

Термин «электрический инструмент» во всех предупреждениях относится к электрическим инструментам, работающим от электросети (проводным) или от батарей (беспроводным).

БЕЗОПАСНОСТЬ РАБОЧЕГО МЕСТА

- а. Рабочее место следует содержать в чистоте и порядке. Беспорядок на рабочем месте и его плохое освещение могут привести к несчастным случаям.
- б. Запрещается пользоваться электроинструментами во взрывоопасной среде, в которой находятся воспламеняющиеся жидкости, газы или пыль. Электроинструменты искрят, что может привести к воспламенению пыли или газов.
- в. При работе с электроинструментом не подпускайте близко детей и посторонних. Невнимательность во время работы может привести к потере контроля над инструментом.

ТЕХНИКА БЕЗОПАСНОСТИ ПРИ ЭКСПЛУАТАЦИИ ЭЛЕКТРИЧЕСКИХ СИСТЕМ

- а. Штепсельная вилка электроинструмента должна подходить к штепсельной розетке. Запрещается модифицировать штепсельную вилку. Запрещается

применять адаптеры для штепсельных вилок электроинструментов с защитным заземлением.

Немодифицированные штепсельные вилки и соответствующие штепсельные розетки снижают риск поражения электротоком.

- b. **Предотвращайте телесный контакт с заземленными поверхностями, например трубами, элементами отопления, кухонными плитами и холодильниками.** При заземлении тела увеличивается риск поражения электрическим током.
- c. **Защищайте электроинструмент от дождя и сырости.** При попадании воды в электроинструмент повышается риск поражения электрическим током.
- d. **Используйте кабель только по назначению. Никогда не используйте кабель электроинструмента для его переноски, подтягивания или выключения вилки из розетки.** Защищайте кабель от воздействия высоких температур, масла, острых кромок или подвижных частей электроинструмента. Поврежденный или слхестнутый кабель повышает риск поражения электрическим током.
- e. При работе с электроинструментом вне помещений необходимо использовать соответствующий удлинитель. Использование кабеля, подходящего для работы на открытом воздухе, снижает риск поражения электрическим током.
- f. Если невозможно избежать использования электроинструмента в условиях влажной среды, используйте блок питания с автоматическим выключателем, имеющем функцию защиты при утечке на землю (ELCB). Использование устройства защиты от утечки в землю снижает риск электрического поражения.

БЕЗОПАСНОСТЬ

- a. **Будьте внимательны.** Следите за своими действиями при работе с электроинструментом. Не работайте с электроинструментом, если вы устали, находитесь под влиянием наркотиков, спиртных напитков или лекарств. Малейшая невнимательность при работе с электроинструментом может привести к серьезным травмам.
- b. **Используйте средства индивидуальной защиты.** Всегда надевайте защитные очки. Такие средства индивидуальной защиты, как противопыльные респираторы, защитная обувь с нескользящей подошвой, защитный шлем или средства защиты органов слуха, соответствующие виду выполняемых работ, снижают риск получения травм.
- c. **Принимайте меры для предотвращения случайного включения электроинструмента.** Перед тем как вставить вилку в штепсельную розетку, убедитесь, что электроинструмент выключен. Перед транспортировкой электроинструмента отключайте источник питания, а переноса инструмента, не держите палец на выключателе. Несоблюдение этих мер может привести к несчастному случаю.
- d. **Прежде чем включить электроинструмент, уберите инструменты и ключи, которые использовались для его настройки.** Инструменты или ключи, находящиеся во вращающейся части электроинструмента, могут привести к травмам.
- e. **Во время работы не вытягивайте инструмент слишком далеко.** Всегда занимайте устойчивое положение и держите равновесие. Благодаря этому электроинструмент лучше контролируется в нестандартных ситуациях.
- f. **Используйте спецодежду.** Не надевайте широкую одежду и украшения. Волосы, одежда и перчатки должны находиться на достаточном расстоянии от движущихся элементов. Широкая одежда, длинные волосы или украшения могут быть затянuty вращающимися частями электроинструмента.
- g. Если устройства поставляются с пылеотсасывающими и пылесборными системами, проверяйте правильность их присоединение и

использования. Использование этих систем снижает опасность воздействия пыли.

ЭКСПЛУАТАЦИЯ ЭЛЕКТРОИНСТРУМЕНТА И УХОД ЗА НИМ

- a. **Не перегружайте электроинструмент.** Используйте электроинструменты только в соответствии с их предназначением. Эффективность и безопасность электроинструмента будет максимальной при осуществлении работ с рекомендуемой скоростью.
- b. **Не используйте электроинструмент с неисправным выключателем.** Электроинструмент, который невозможно включить или выключить при помощи выключателя, является опасным, его необходимо отремонтировать.
- c. **Перед наладкой инструмента и заменой насадок, а также по окончании работы вытаскивайте штепсельную вилку из розетки и/или выньте аккумулятор.** Данная мера предосторожности предотвращает случайное включение инструмента.
- d. **Храните неиспользуемые электроинструменты в местах, недоступных для детей.** Не давайте электроинструмент тем, кто не знает, как его использовать, или не ознакомился с настоящими инструкциями. Электроинструмент в руках необученного человека представляет опасность.
- e. **Поддерживайте электроинструмент в рабочем состоянии.** Проверяйте юстировку и сцепление движущихся частей электроинструмента, старайтесь вовремя обнаружить поломки и избежать повреждений, отрицательно влияющих на его работоспособность. Если инструмент поврежден, его необходимо отремонтировать до начала работы. Неудовлетворительное обслуживание электроинструментов является причиной большого числа несчастных случаев.
- f. **Следите за тем, чтобы режущий элемент оставался острым и чистым.** Правильный уход за режущими элементами снижает вероятность заклинивания и упрощает их эксплуатацию.
- g. **Применяйте электроинструмент, насадки и прочие принадлежности в соответствии с настоящими инструкциями, учитывая условия эксплуатации и вид выполняемой работы.** Использование электроинструмента в целях, отличных от тех, для которых он предназначен, может привести к возникновению опасных ситуаций.

РЕМОНТ

- a. **Ремонт электроинструмента должен осуществляться только квалифицированным персоналом и исключительно с применением оригинальных запасных частей.** Этим обеспечивается сохранность безопасности электроинструмента.

ИНСТРУКЦИИ ПО ТЕХНИКЕ БЕЗОПАСНОСТИ ДЛЯ ВСЕХ ВИДОВ РАБОТ

ОБЩИЕ УКАЗАНИЯ ПО БЕЗОПАСНОСТИ ДЛЯ ЗАТОЧКИ, ШЛИФОВКИ, ОЧИСТКИ ПРОВОЛОЧНОЙ ЩЕТКОЙ, ПОЛИРОВКИ И АБРАЗИВНОЙ РЕЗКИ

- a. Настоящий электроинструмент предназначен для применения в качестве шлифовальной машины, шлифовальной машины с наждачной бумагой или проволочной щеткой, и полировочной машины, машины для резьбы или отрезной машины. Учитывайте все предупреждающие указания, инструкции, иллюстрации и данные, которые Вы получите с электроинструментом. При несоблюдении

нижеследующих указаний возможно поражения электротоком, возникновение пожара и/или получение серьезных травм.

- b. Не применяйте принадлежности, которые не предусмотрены изготовителем специально для настоящего электроинструмента и не рекомендуются им. Только возможность крепления принадлежностей в Вашем электроинструменте не гарантирует еще его надежного применения.
- c. Допустимое число оборотов для шлифовальных принадлежностей должно как минимум равным указанному на электроинструменте максимальному числу оборотов. Шлифовальные принадлежности, вращающиеся с большей, чем допустимо скоростью, могут разорваться.
- d. Наружный диаметр и толщина рабочего инструмента должны соответствовать мощности Вашего электроинструмента. Неправильно соразмеренными рабочими инструментами невозможно управлять в достаточной степени.
- e. Шлифовальные круги, шлифовальные барабаны или любые другие принадлежности должны точно сидеть на шпинделе или цанге вашего электроинструмента. Принадлежности, неточно сидящие на шпинделе электроинструмента, вращающегося с биением, сильно вибрируют и могут привести к потере контроля.
- f. Установленные на шпинделе шлифовальные круги, шлифовальные барабаны, резцы или другие принадлежности должны быть полностью вставлены в цангу или патрон. Если шпиндель недостаточно хорошо удерживается и/или вылет диска слишком велик, установленный диск может отсоединиться и вылететь на большой скорости.
- g. Не применяйте поврежденные рабочие инструменты. Каждый раз перед использованием проверяйте рабочие инструменты, такие как шлифовальные круги на сколы и трещины, шлифовальные тарелки на трещины, задиры или сильный износ, проволочные щетки на незакрепленные или поломанные проволоки. После падения электроинструмента или рабочего инструмента проверяйте последний на повреждения и при надобности установите неповрежденный рабочий инструмент. После контроля и закрепления рабочего инструмента, займите сами, и все находящиеся вблизи лица, положение за пределами плоскости вращения рабочего инструмента и включите электроинструмент на одну минуту на максимальное число оборотов. Поврежденные рабочие инструменты разрываются, в большинстве случаев, за это время контроля.
- h. Применяйте средства индивидуальной защиты. В зависимости от выполняемой работы применяйте защитный щиток для лица, защитное средство для глаз или защитные очки. Насколько уместно, применяйте противопылевую респиратор, средства защиты органов слуха, защитные перчатки или специальный фартук, которые защищают Вас от абразивных частиц и частиц материала. Глаза должны быть защищены от летящих в воздухе посторонних тел, которые возникают при выполнении различных работ. Респиратор или защитная маска органов дыхания должны задерживать возникающую при работе пыль. Длительное воздействие высокого уровня шума может привести к потере слуха.
- i. Следите за тем, чтобы все лица находились на безопасном расстоянии к Вашему рабочему участку. Каждое лицо в пределах рабочего участка должно иметь средства индивидуальной защиты. Осколки детали или разорванных рабочих инструментов могут отлететь в сторону и стать причиной травм также и за пределами непосредственного рабочего участка.
- j. Во время выполнения работ, при которых рабочий инструмент может попасть на скрытую электропроводку или на собственный шнур подключения питания, держите электроинструмент

только за изолированные поверхности рукояток. Контакт с проводом, находящимся под напряжением, может привести к поражению электрическим током.

- k. Всегда крепко держите инструмент во время его запуска. Реактивный момент двигателя по мере его разгона до полной скорости может вызвать вращение инструмента.
- l. Всегда при возможности используйте тиски для фиксации заготовки. Никогда при работе не держите небольшую заготовку в одной руке и инструмент в другой руке. Фиксация небольшой заготовки позволяет вам использовать обе руки для управления инструментом. Цилиндрические детали, такие как штыри, трубы или тюбики могут иметь при резке тенденцию к вращению, что может вызвать заклинивание или вылет насадки.
- m. Держите шнур подключения питания в стороне от вращающегося инструмента. Если Вы потеряете контроль над инструментом, то шнур подключения питания может быть перерезан или захвачен вращающейся частью и Ваша кисть или рука может попасть под вращающийся рабочий инструмент.
- n. Никогда не выпускайте электроинструмент из рук, пока рабочий инструмент полностью не остановится. Вращающийся рабочий инструмент может зацепиться за опорную поверхность и Вы можете потерять контроль над электроинструментом.
- o. После смены насадок или выполнения каких-либо настроек убедитесь, что гайка цанги, патрон или любые другие регулировочные приспособления надежно затянуты. Плохо закрепленные регулировочные приспособления могут неожиданно сместиться, вызывая потерю контроля, плохо закрепленные вращающиеся детали могут вылетать, причиняя травмы.
- p. Выключайте электроинструмент при транспортировании. Ваша одежда может быть случайно захвачена вращающимся рабочим инструментом и последний может нанести Вам травму.
- q. Регулярно очищайте вентиляционные прорезы Вашего электроинструмента. Вентилятор двигателя затмевает пыль в корпус и большое скопление металлической пыли может привести к электрической опасности.
- r. Не пользуйтесь электроинструментом вблизи горючих материалов. Искры могут воспламенить эти материалы.
- s. Не используйте принадлежности, требующие применение жидких охлаждающих средств. Применение воды или других жидких охлаждающих средств может привести к поражению электротоком.

ОБРАТНЫЙ УДАР И СООТВЕТСТВУЮЩИЕ ПРЕДУПРЕЖДАЮЩИЕ УКАЗАНИЯ

Обратный удар — это внезапная реакция в результате заедания или блокирования вращающегося рабочего инструмента, например шлифовального круга, шлифовальной ленты, проволочной щетки и т. д. Заедание или блокирование ведет к резкому останову рабочего инструмента. При этом неконтролируемый электроинструмент приходит в движение в направлении, противоположном направлению вращения рабочего инструмента.

Например, если шлифовальный круг заест или заблокирует в детали, то кромка шлифовального круга, которая погружается в деталь, может врезаться в деталь, круг будет заторможен и в результате выскакивает из детали или возникает обратный удар. При этом шлифовальный круг движется на оператора или от него, в зависимости от направления вращения круга на месте блокирования. При этом шлифовальный круг может разломаться. Обратный удар является следствием неправильного использования электроинструмента или ошибки оператора. Его можно предотвратить подходящими мерами предосторожности, описанными ниже.

- a. Крепко держите электроинструмент и займите Вашим телом и руками положение, в котором Вы можете противодействовать обратным силам. Оператор может подходящими мерами предосторожности противодействовать обратным и реакционным силам.
- b. Особенно осторожно работайте на углах, острых кромках и т. д. Предотвращайте отскок рабочего инструмента от детали и его заклинивание. *Вращающийся рабочий инструмент склонен на углах, острых кромках и при отскоке к заклиниванию. Это вызывает потерю контроля или обратный удар.*
- c. Не подсоединяйте зубчатое режущее полотно. *Такие рабочие инструменты часто становятся причиной обратного удара или потери контроля над электроинструментом.*
- d. Всегда вводите рабочий инструмент в материал с той же стороны, откуда режущая кромка выходит из материала (что является тем же направлением, куда вылетают обрезки). *Плохая инструментовка в неправильном направлении вызывает выход режущей кромки инструмента с уходом вверх из заготовки и толчок инструмента в этом направлении.*
- e. При использовании зачистных кругов, отрезных дисков, высокоскоростных резов или резов из карбида вольфрама всегда надежно фиксируйте заготовку. *При незначительном изгибе этих принадлежностей в разрезе происходит их заклинивание, и может возникнуть обратный удар. Когда отрезной диск заклинивает, он обычно разрушается. При заклинивании зачистного круга, высокоскоростного реза или реза из карбида вольфрама они могут вылететь из разреза, и вы можете потерять контроль над инструментом.*

СПЕЦИАЛЬНЫЕ ПРЕДУПРЕЖДЕНИЯ УКАЗАНИЯ ПО ШЛИФОВАНИЮ И ОТРЕЗАНИЮ

- a. Применяйте допущенные исключительно для вашего электроинструмента типы дисков и только для рекомендованных вариантов применения. Например: никогда не шлифуйте боковой поверхностью отрезного диска. *Отрезные диски предназначены для съема материала кромкой. Боковые силы на этот абразивный инструмент могут сломать его.*
- b. Для резбывых абразивных конусов и вкладышей используйте только неповрежденные дисковые шпиндели с незатылованным боковым фланцем подходящего размера и длины. *Подходящие шпиндели снижают вероятность поломки.*
- c. Предотвращайте блокирование отрезного диска и повышенное усилие прижатия. Не выполняйте слишком глубокие резы. *Перегрузка отрезного диска повышает нагрузку и склонность к перекосу или заклиниванию диска в резе, увеличивая возможность обратного удара или поломки абразивного инструмента.*
- d. Не помещайте руки перед вращающимся отрезным диском и за ним. *Если вы ведете отрезной диск по заготовке от себя, то в случае обратного удара электроинструмент с вращающимся диском может отскочить прямо на вас.*
- e. При заклинивании отрезного диска или при перерыве в резе выключите электроинструмент и дайте диску спокойно остановиться. *Никогда не пытайтесь вынуть еще вращающийся отрезной диск из реза, так как это может привести к обратному удару. Установите и устраните причину заклинивания или задира диска.*
- f. Не включайте повторно электроинструмент пока абразивный инструмент находится в детали. Дайте отрезному диску развить полное число оборотов, перед тем как Вы осторожно продолжите резание. *В противном случае диск может заезть, выскочить из детали или вызвать обратный удар.*
- g. Плиты или большие детали должны надежно лежать на опоре для снижения опасности обратного удара при заклинивании отрезного диска. *Большие детали могут прогнуться под собственным весом. Деталь*

должна лежать на опорах с обеих сторон, как вблизи реза, так и по краям.

- h. Будьте особенно осторожны при выполнении резов с погружением в стены или на других не просматриваемых участках. *Повращающийся отрезной диск может при резании газопровода или водопровода, электрических проводов или других объектов привести к обратному удару.*

ОСОБЫЕ ПРЕДУПРЕЖДЕНИЯ УКАЗАНИЯ ДЛЯ РАБОТ С ПРОВОЛОЧНЫМИ ЩЕТКАМИ

- a. Имейте в виду, что проволочные щетки теряют проволоки также и при нормальной работе. Не перегружайте проволоку чрезмерным усилием прижатия. *Отлетающие куски проволоки могут легко проникнуть через тонкую одежду и/или кожу.*
- b. Перед использованием щеток дайте им прокрутиться на рабочей скорости как минимум одну минуту. В это время никто не должен находиться перед щетками. *Прочие закрепленные щетинки или проволоки отделятся от щетки во время проработки.*
- c. Направьте вылет этих элементов вращающейся щетки в сторону от вас. *Небольшие частицы и куски проволоки могут вылетать с большой скоростью при работе с этими щетками и могут попасть на вас.*
- d. При работе с проволочными щетками не превышайте скорость вращения в 15 000 об/мин.

▲ ВНИМАНИЕ НЕ ОБРАБАТЫВАЙТЕ МАТЕРИАЛЫ, СОДЕРЖАЩИЕ АСБЕСТ (АСБЕСТ ЯВЛЯЕТСЯ КАНЦЕРОГЕНОМ).

▲ ВНИМАНИЕ ПРИМЬТЕ МЕРЫ ЗАЩИТЫ, ЕСЛИ ВО ВРЕМЯ РАБОТЫ ВОЗМОЖНО ВОЗНИКНОВЕНИЕ ВРЕДНОЙ ДЛЯ ЗДОРОВЬЯ, ГОРЮЧЕЙ ИЛИ ВЗРЫВООПАСНОЙ ПЫЛИ (НЕКОТОРЫЕ ВИДЫ ПЫЛИ ЯВЛЯЮТСЯ КАНЦЕРОГЕННЫМИ); ПОЛЬЗУЙТЕСЬ ПРОТИВОПЫЛЕВЫМ РЕСПИРАТОРОМ И ПРИМЕНЯЙТЕ ОТСОС ПЫЛИ ИЛИ СТРУЖКИ ПРИ НАЛИЧИИ ВОЗМОЖНОСТИ ПРИСОЕДИНЕНИЯ.

ОХРАНА ОКРУЖАЮЩЕЙ СРЕДЫ

УТИЛИЗАЦИЯ

Отслужившие свой срок электроинструменты, насадки и упаковки следует сдавать на экологически чистую рециркуляцию отходов.

ТОЛЬКО ДЛЯ СТРАН-ЧЛЕНОВ ЕС



Не выбрасывайте электроинструменты в коммунальный мусор!!
Согласно Европейской Директиве 2012/19/ЕС о старых электрических и электронных инструментах и приборах, а также о претворении этой директивы в национальное право, отслужившие свой срок электроинструменты должны отдельно собираться и сдаваться на экологически чистую утилизацию.

Информация о сертификате соответствия расположена на последней странице настоящей Инструкции.

ТЕХНИЧЕСКИЕ ХАРАКТЕРИСТИКИ

ОБЩИЕ ТЕХНИЧЕСКИЕ ХАРАКТЕРИСТИКИ

	200	3000	4000	4200
Номинальная мощность (Вт)	125	130	175	175

	200	3000	4000	4200
Номинальное напряжение	230-240 В, 50 Гц	230 В, 50 Гц	230-240 В, 50-60 Гц	220-240 В, 50-60 Гц
Диаметр цанги	0,8 мм, 1,6 мм, 2,4 мм, 3,2 мм			
Расчетная частота вращения (n)	35 000 об/мин	33 000 об/мин	35 000 об/мин	33 000 об/мин
 Изделие класса II	строительный инструмент с двойной изоляцией			

УДЛИНИТЕЛИ

Используйте полностью развернутые и безопасные удлинители, рассчитанные на ток не менее 5 А.

СПЕЦИФИКАЦИИ ЭЛЕКТРОДВИГАТЕЛЯ

Только 3000

Данный многофункциональный инструмент оснащен высокоскоростным двигателем с регулировкой скорости. Двигатель рассчитан на работу от сети 230 В, 50 Гц.

Всегда проверяйте, чтобы напряжение сети соответствовало напряжению, указанному на табличке инструмента.

СБОРКА

ПЕРЕД СЕРВИСНЫМ ОБСЛУЖИВАНИЕМ, ЗАМЕНОЙ ПРИСТАВОК, ПРИНАДЛЕЖНОСТЕЙ И ЦАНГИ ВСЕГДА ОТКЛЮЧАЙТЕ МНОГОФУНКЦИОНАЛЬНЫЙ ИНСТРУМЕНТ ОТ СЕТИ.

ОБЩАЯ ИНФОРМАЦИЯ

Многофункциональный инструмент Dremel представляет собой высококачественный точный инструмент, который может использоваться для выполнения различных работ. Широкая гамма принадлежностей и насадок Dremel позволяет выполнять множество разных работ, среди которых шлифование, резьба, гравировка, фрезерование, отрезание, чистка и полировка.

РИСУНОК: 2-5

- | | |
|--|---------------------|
| A. Цанговая гайка | Информация EZ |
| B. Цанга | Только 4200 |
| C. Крышка станины или конический колпачок со встроенным ключом EZ Twist™ | L. Рычаги EZ Change |
| D. Кнопка блокировки вала | M. Патрон EZ Change |
| E. Выключатель | |
| F. Ремень | |
| G. Шнур питания | |
| H. Крышка щетки | |
| I. Вентиляционные отверстия | |
| J. Регулятор скорости вращения | |
| K. Цанговый ключ | |

ЦАНГИ

Принадлежности Dremel для многофункциональных инструментов поставляются с различными размерами хвостовиков. Для того чтобы использовать все принадлежности, цанги выпускаются четырех типоразмеров. Размер цанги обозначен кольцами, расположенными позади цанги.

РИСУНОК 6

- A. Цанговая гайка

- N. Цанга 3,2 мм без кольца (480)
 O. Цанга 2,4 мм с тремя кольцами (481)
 P. Цанга 1,6 мм с двумя кольцами (482)
 Q. Цанга 0,8 мм с одним кольцом (483)
 R. Идентификационные кольца
Примечание. Некоторые многофункциональные инструменты поставляются не со всеми четырьмя цангами разных размеров. Цанги поставляются отдельно.

Всегда используйте цангу, соответствующую размеру хвостовика используемой принадлежности. Вставлять хвостовик большего размера в цангу меньшего размера запрещается.

ЗАМЕНА ЦАНГИ

- РИСУНОК 7 (200)
 РИСУНОК 11 (3000/4000)
 РИСУНОК 19 (4200)

- A. Цанговая гайка
 C. Колпачок корпуса (EZ Twist™)
 D. Кнопка блокировки вала
 K. Цанговый ключ
 S. Ослабить
 T. Затянуть

- Нажмите кнопку блокировки вала, удерживайте ее в нажатом положении и вращайте шпиндель рукой, пока он не зафиксируется. Не нажимайте кнопку блокировки вала, если многофункциональный инструмент работает.
- Удерживая кнопку блокировки вала нажатой, ослабьте и снимите цанговую гайку. В случае необходимости используйте цанговый ключ.
- Вытяните цангу со шпинделя.
- Вставьте цангу требуемого типоразмера в шпиндель, установите цанговую гайку и затяните вручную. Не затягивайте гайку до конца, если не устанавливается приставка или принадлежность.

СМЕНА ПРИНАДЛЕЖНОСТЕЙ

РИСУНОК 8

- Нажмите кнопку блокировки вала и вращайте шпиндель рукой, пока не сработает фиксатор шпинделя. Не нажимайте кнопку блокировки вала, если многофункциональный инструмент работает.
- Удерживая кнопку блокировки вала нажатой, ослабьте (но не снимайте) цанговую гайку. В случае необходимости используйте цанговый ключ.
- Вставьте хвостовик приставки или принадлежности в цангу до упора.
- При заблокированном вале затяните цанговую гайку пальцами так, чтобы хвостовик приставки или принадлежности надежно удерживался цангой.
Примечание. Перед началом работы с насадкой Dremel внимательно прочтите прилагаемые к ней инструкции по эксплуатации.

Используйте только проверенные, высокопроизводительные насадки Dremel.

КОНИЧЕСКИЙ КОЛПАЧОК СО ВСТРОЕННЫМ КЛЮЧОМ EZ TWIST™

Только 3000 и 4000

РИСУНОК 11

- C. Конический колпачок со встроенным ключом EZ Twist™

В конический колпачок встроены ключ, позволяющий отпускать или затягивать цанговую гайку без использования обычного цангового ключа.

- Выкрутите конический колпачок из инструмента сопоставьте стальную вставку внутри колпачка с цанговой гайкой.

ЭКСПЛУАТАЦИЯ

- Удерживая кнопку блокировки вала нажатой, вращайте конический колпачок против часовой стрелки, чтобы отпустить цапговую гайку. Не нажимайте кнопку блокировки вала, если многофункциональный инструмент работает.
- Вставьте хвостовик приставки или принадлежности в цапгу до упора.
- Удерживая кнопку блокировки вала нажатой, вращайте конический колпачок по часовой стрелке, чтобы затянуть цапговую гайку.
- Вкрутите конический колпачок на место.
Примечание. Перед началом работы с насадкой Dremel внимательно прочтите прилагаемые к ней инструкции по эксплуатации.

Используйте только проверенные, высокопроизводительные насадки Dremel.

БАЛАНСИРОВКА ПРИНАДЛЕЖНОСТЕЙ

Для точной работы важно, чтобы все принадлежности имели хороший баланс (аналогично шинам автомобиля). Для регулировки или балансировки принадлежности ослабьте гайку цапги и поверните принадлежность или цапгу на 1/4 оборота. Затяните цапгу и включите вращающийся инструмент. По звуку и ощущениям можно определить, отбалансирована ли принадлежность. Для достижения наилучшего баланса продолжайте данную процедуру.

ИСПОЛЬЗОВАНИЕ ПРИНАДЛЕЖНОСТЕЙ

Инструмент Dremel можно оборудовать различными принадлежностями, которые расширяют его функциональные возможности.

ПРИМЕЧАНИЕ.

Не все указанные ниже принадлежности входят в ваш комплект. Используйте только проверенные, высокопроизводительные принадлежности Dremel! Вы можете заказать принадлежность через сервисный центр Dremel или посетить сайт www.dremel.com для получения информации о совместимости насадок и принадлежностей.

- Используйте гибкий вал Flexible Shaft (225) для точной, аккуратной работы или для труднодоступных мест. СМ. СТР. 7.

ПРИМЕЧАНИЕ.

Для оптимальной производительности, начиная работать с гибким валом, рекомендуется в течение 2 минут позволить приставке работать в вертикальном положении, после чего можно продолжить работу.

- Используйте формовочную платформу Dremel Shaping Platform (576) для шлифовки под точными углами в 90 и 45 градусов. СМ. СТР. 9.
- Используйте рукоятку Dremel Detailer's Grip (577) для улучшенного контроля вашего многофункционального инструмента. СМ. СТР. 8.
- Используйте универсальный набор для резки Multipurpose Cutting Kit (565/566) для управляемой резки различных материалов. СМ. СТР. 10.
- Используйте комплект для удаления цемента со стен и пола Wall & Floor Grout Removal Kit (568) для удаления цемента между плитками стен или пола. СМ. СТР. 11.
- Используйте линейный и циркулярный резец Line & Circle Cutter (678) для создания идеальных отверстий и прямых резов. СМ. СТР. 12.
- Используйте приспособление Right Angle Attachment (575) для применения принадлежностей под прямым углом в труднодоступных местах. СМ. СТР. 13.
- Используйте приспособление Comfort Guard Attachment для защиты от пыли и искр. СМ. СТР. 14.

Перед работой с многофункциональным инструментом следует привыкнуть к нему и почувствовать его. Возьмите его в руку, почувствуйте его вес и найдите равновесное положение. Приноровитесь к форме корпуса. Она позволяет держать инструмент примерно так же, как карандаш или авторучку.

Всегда держите инструмент на расстоянии от лица.

Принадлежности могут быть повреждены и могут вылетать из инструмента при увеличении скорости.

Не закрывайте вентиляционные отверстия во время работы. Блокировка этих отверстий ведет к перегреву двигателя инструмента.

ВАЖНО! Сначала потренируйтесь на обрезках, чтобы понять, как инструмент работает на высокой скорости. Не забывайте, что многофункциональный инструмент работает лучше с верно выбранной скоростью и оригинальными принадлежностями и приставками Dremel. Не перегружайте инструмент во время работы. Напротив, подведите инструмент к обрабатываемой поверхности аккуратно, чтобы почувствовать контакт с точкой, с которой начнется работа. Следите за движением инструмента вдоль заготовки, прилагая лишь минимальные усилия. Пусть инструмент сам делает всю работу.

Результат будет лучше, если распределить процесс на несколько этапов. Деликатный подход к работе - это залог полного контроля и точного результата.

КАК ПРАВИЛЬНО ДЕРЖАТЬ ИНСТРУМЕНТ

Для лучшего контроля при тонкой работе возьмите многофункциональный инструмент, как карандаш, большим и указательным пальцами. РИСУНОК 13
Способ двустороннего захвата применяется для выполнения сложных работ, таких как шлифование или резка. РИСУНОК 14

СКОРОСТЬ РАБОТЫ

Чтобы выбрать правильную скорость вращения для каждой работы, используйте обломок материала.

ПОЛЗУНКОВЫЙ ПЕРЕКЛЮЧАТЕЛЬ

Инструмент включен, когда переключатель находится в верхней части корпуса.

ДЛЯ ВКЛЮЧЕНИЯ ИНСТРУМЕНТА, сдвиньте выключатель вперед.

ДЛЯ ВЫКЛЮЧЕНИЯ ИНСТРУМЕНТА, сдвиньте выключатель назад.

ВЫСОКОЭФФЕКТИВНЫЙ ЭЛЕКТРОДВИГАТЕЛЬ

Инструмент оснащен высокопроизводительным вращающимся электродвигателем. Данный электродвигатель делает вращающийся инструмент универсальным и дает возможность использовать дополнительные принадлежности Dremel.

ЭЛЕКТРОННАЯ ОТВЕТНАЯ РЕАКЦИЯ

Инструмент оснащен внутренней системой ответной реакции, которая обеспечивает плавный запуск и снижает биение, которое может возникнуть при запуске с большим моментом вращения. Система также помогает поддерживать практически постоянную заданную скорость с нагрузкой и без.

РЕГУЛЯТОР СКОРОСТИ ВРАЩЕНИЯ

Инструмент оснащен регулятором скорости вращения. Скорость можно регулировать во время работы, выбрав необходимое положение на регуляторе.

Скорость вращающегося инструмента контролируется с помощью данного регулятора, расположенного в корпусе. РИСУНОК 12

Установка приблизительной скорости вращения

Модель 200	
Положение переключателя	Диапазон скоростей (об/мин)
Низкая	15 000
Высокая	35 000

Модель 3000	
Положение переключателя	Диапазон скоростей (об/мин)
1-2	10 000-14 000
3-4	15 000-19 000
5-6	20 000-23 000
7-8	24 000-28 000
9-10	29 000-33 000

Модели 4000 и 4200	
Положение переключателя	Диапазон скоростей (об/мин)
5	5 000
10	10 000
*15	15 000
20	20 000
25	25 000
30	30 000
33 (только 4000)	33 000
35 (только 4200)	35 000

* При работе с проволочными щетками не превышайте скорость вращения в 15 000 об/мин.

Таблица настроек скорости, приведенная на с. 4-7, поможет вам выбрать оптимальную скорость при работе с тем или иным материалом или приставкой.

Заключительная стадия большинства работ выполняется на максимальной скорости. Обработка некоторых материалов (например, некоторых пластмасс) требует относительно небольших скоростей, т. к. на высоких скоростях трение инструмента приводит к выделению тепла и расплавлению материала. Низкая скорость (15 000 об/мин или ниже) лучше всего подходит для полировки при помощи войлочных полировальных приспособлений. При работе со щеткой также рекомендуется выбирать низкую скорость, что позволит сохранить щетку и не даст щетине растрепаться. Несмотря на выбор низкой скорости, производительность инструмента не снижается. Высокие скорости оптимально подходят для обработки твердых сортов древесины, металлов и стекла, для сверления, резьбы, отрезания, фрезерования и заточки, а также для выборки пазов в древесине.

Несколько инструкций по выбору скорости:

- Пластмассу и другие легкоплавкие материалы следует обрабатывать на низкой скорости.
- Полировка, отделка и очистка проволочной щеткой производятся на скорости ниже 15 000 об/мин, чтобы избежать повреждения щетки.
- Резка древесины производится на высокой скорости.
- Резка железа и стали производится на высокой скорости.
- Если высокоскоростной стальной резец начинает вибрировать, это, как правило, означает, что выбрана слишком низкая скорость.
- Резка алюминия, медных, свинцовых и цинковых сплавов, а также олова может производиться на разных скоростях, в зависимости от типа резки. Во избежание прилипания разрезаемого материала к зубьям режущего диска смажьте его парафином (не водой!) или другой подходящей смазкой.

Примечание. Если инструмент, по вашему мнению, не режет должным образом, увеличивать давление на него не следует. Для достижения требуемого результата попробуйте другую приставку или выберите другую скорость.

ТЕХНИЧЕСКОЕ ОБСЛУЖИВАНИЕ И РЕМОНТ

▲ ВНИМАНИЕ ВСЕГДА ОТКЛЮЧАЙТЕ ИНСТРУМЕНТ ОТ ИСТОЧНИКА ПИТАНИЯ ПЕРЕД ЛЮБОЙ РЕГУЛИРОВКОЙ, ЗАМЕНОЙ ПРИНАДЛЕЖНОСТЕЙ, ОБСЛУЖИВАНИЕМ, ЧИСТКОЙ И Т. Д. ЭТО СНИЖАЕТ РИСК СЛУЧАЙНОГО ВКЛЮЧЕНИЯ ИНСТРУМЕНТА.

▲ ВНИМАНИЕ ДЛЯ ОБСЛУЖИВАНИЯ ЭЛЕКТРИЧЕСКОГО ИНСТРУМЕНТА СЛЕДУЕТ ОБРАЩАТЬСЯ ТОЛЬКО К КВАЛИФИЦИРОВАННЫМ СПЕЦИАЛИСТАМ ПО РЕМОНТУ, ИСПОЛЗУЮЩИМ ОРИГИНАЛЬНЫЕ ЗАПЧАСТИ. МЫ РЕКОМЕНДУЕМ ПОЛЬЗОВАТЬСЯ ДЛЯ ОБСЛУЖИВАНИЯ ИНСТРУМЕНТА УСЛУГАМИ СЕРВИСНОГО ЦЕНТРА DREMEL. ЭТО ОБЕСПЕЧИТ НЕОБХОДИМЫЙ УРОВЕНЬ БЕЗОПАСНОСТИ ПРИ РАБОТЕ С ИНСТРУМЕНТОМ. ТЕХНИЧЕСКОЕ ОБСЛУЖИВАНИЕ НЕСПЕЦИАЛИСТОМ ЧРЕВАТО НЕПРАВИЛЬНЫМ ПОДКЛЮЧЕНИЕМ ВНУТРЕННИХ ПРОВОДОВ И КОМПОНЕНТОВ, ЧТО МОЖЕТ ПРЕДСТАВЛЯТЬ СОБОЙ СЕРЬЕЗНУЮ УГРОЗУ.

ПРИМЕЧАНИЕ.

Вы можете только проверять и заменять графитовые щетки. Это единственные обслуживаемые компоненты инструмента.

ЧИСТКА

1. Очистите вентиляционные отверстия, переключатель и рычаги инструмента при помощи сжатого сухого воздуха.

▲ ВНИМАНИЕ НЕ ПЫТАЙТЕСЬ ОЧИЩАТЬ ОТВЕРСТИЯ ОСТРЫМИ ПРЕДМЕТАМИ.

▲ ВНИМАНИЕ НАДЕВАЙТЕ ЗАЩИТНЫЕ ОЧКИ ДЛЯ ГЛАЗ.

2. Очищайте поверхность инструмента при помощи влажной салфетки.

▲ ВНИМАНИЕ НЕ ОЧИЩАЙТЕ ИНСТРУМЕНТ МОЩНЫМИ СРЕДСТВАМИ И РАСТВОРИТЕЛЯМИ, ТАКИМИ КАК БЕНЗИН, ТЕТРАХЛОРИД УГЛЕРОДА, РАСТВОРИТЕЛИ НА ОСНОВЕ ХЛОРА, НАШАТЫРНЫЙ СПИРТ И БЫТОВЫЕ МОЩНЫЕ СРЕДСТВА, СОДЕРЖАЩИЕ НАШАТЫРНЫЙ СПИРТ. ОНИ МОГУТ ПОВРЕДИТЬ ПЛАСТИКОВЫЕ ЧАСТИ ИНСТРУМЕНТА.

ОБСЛУЖИВАНИЕ ГРАФИТОВЫХ ЩЕТОК

Кроме 4000

Для того, чтобы постоянно поддерживать мощность двигателя на высоком уровне, проверяйте щетки на износ каждые 40-50 часов. Также проверяйте щетки, если инструмент работает нестабильно, теряет мощность или издает необычные звуки.

▲ ВНИМАНИЕ ИСПОЛЬЗОВАНИЕ ДВИГАТЕЛЯ С ИЗНОШЕННЫМИ ЩЕТКАМИ ВЫВОДИТ ДВИГАТЕЛЬ ИЗ СТРОЯ. ИСПОЛЬЗУЙТЕ ТОЛЬКО ОРИГИНАЛЬНЫЕ ЗАПАСНЫЕ ЩЕТКИ DREMEL.

1. Отключите инструмент и поместите его на чистую поверхность.

- Снимите две крышки щеток при помощи ключа. РИСУНОК 15 (200/3000), РИСУНОК 17 (4200).
- Снимите две щетки с инструмента, оттянув фиксирующие пружины. РИСУНОК 16 (200/3000), РИСУНОК 18 (4200).
- Осмотрите обе щетки. Если длина щетки составляет менее 3 мм и/или поверхность щетки неровная или покрыта углублениями, замените графитовую щетку на новую.
 - Снимите пружину с щетки.
 - Утилизируйте старую щетку и наденьте пружину на новую щетку.

ПРИМЕЧАНИЕ.

В случае износа одной щетки следует заменить обе для сохранения максимальной производительности инструмента.

- Установите графитовые щетки (с пружинами) обратно в инструмент. Существует только одно положение, в котором щетка фиксируется в инструменте.
- Установите обратно крышки щеток, вращая их по часовой стрелке. Для заточки используйте ключ, но не перетягивайте!
- Прежде чем возобновлять использование инструмента, см. раздел «Первое использование».

СЕРВИС И ГАРАНТИЙНОЕ ОБСЛУЖИВАНИЕ

ВНИМАНИЕ В ЭТОМ УСТРОЙСТВЕ НЕТ ДЕТАЛЕЙ, КОТОРЫЕ МОГУТ ОБСЛУЖИВАТЬСЯ ПОЛЬЗОВАТЕЛЕМ. ВЫПОЛНЕНИЕ ПРЕВЕНТИВНОГО ТЕХОБСЛУЖИВАНИЯ НЕКВАЛИФИЦИРОВАННЫМИ ПОЛЬЗОВАТЕЛЯМИ МОЖЕТ ПРИВЕСТИ К СМЕЩЕНИЮ ВНУТРЕННИХ ПРОВОДОВ И КОМПОНЕНТОВ, ЧТО МОЖЕТ ВЫЗВАТЬ СЕРЬЕЗНУЮ ОПАСНОСТЬ. Мы рекомендуем пользоваться для обслуживания инструмента услугами сервисного центра Dremel. **ПРИМЕЧАНИЕ ДЛЯ СПЕЦИАЛИСТОВ ПО СЕРВИСУ:** Перед началом ремонтных работ необходимо отключить инструмент и зарядное устройство от источника питания.

На данную продукцию DREMEL распространяется гарантия в соответствии с законодательными положениями, принятыми в стране продажи и эксплуатации. Гарантия не распространяется на повреждения, возникающие в результате нормального износа и неправильной эксплуатации.

В случае возникновения претензий инструмент или зарядное устройство следует отправить дилеру в неразобранном виде с документом, подтверждающим покупку у дилера.

ГДЕ ПОЛУЧИТЬ ИНФОРМАЦИЮ О ПРОДУКЦИИ DREMEL

Для получения дополнительной информации по ассортименту товаров Dremel, службе поддержки и технической поддержке по телефону посетите сайт www.dremel.com.

Почтовый адрес: Konijnenberg 60, 4825 BD Breda, Нидерланды

ПЕРЕКЛАД ГОЛОВНИХ ІНСТРУКЦІЙ

ВИКОРИСТАНІ СИМВОЛИ



ОЗНАЙОМТЕСЯ З ЦИМИ ІНСТРУКЦІЯМИ



ЗАСТОСОВУЙТЕ ЗАСОБИ ЗАХИСТУ СЛУХУ



ЗАСТОСОВУЙТЕ ОКУЛЯРИ



ЗАСТОСОВУЙТЕ ЗАХИСТНУ МАСКУ



КОНСТРУКЦІЯ КЛАСУ II



НЕ ВИКИДАЙТЕ ЕЛЕКТРИЧНІ ІНСТРУМЕНТИ, ДОПОМІЖНІ ЕЛЕМЕНТИ І УПАКОВКУ РАЗОМ З ВІДХОДАМИ ДОМОГОСПОДАРСТВА

ЗАГАЛЬНІ ЗАСТЕРЕЖЕННЯ ЩОДО БЕЗПЕКИ ПРИ ВИКОРИСТАННІ ЕЛЕКТРОІНСТРУМЕНТІВ



УВАГА ПРОЧИТАЙТЕ ВСІ ЗАСТЕРЕЖЕННЯ ЩОДО БЕЗПЕКИ ТА ВСІ ІНСТРУКЦІЇ.

Недотримання застережень та інструкцій може призвести до удару струмом, пожежі та/чи серйозного ушкодження.

Збережіть всі застереження та інструкції для використання в майбутньому.

Термін «електроінструмент» в застереженнях відноситься до електроінструменту з живленням від мережі (через шнур) чи з живленням від комплекту батарей (без шнура).

БЕЗПЕКА РОБОЧОЇ ДІЛЯНКИ

- Підтримуйте робоче місце чистим і добре освітленим. Через безлад та погане освітлення часто трапляються аварії.
- Не використовуйте електроінструмент за умов вибухонебезпечного середовища, наприклад, за наявності вогнебезпечних рідин, газів або пилу. Електроінструмент утворює іскри, що можуть запалити пил або дими.
- Не підпускайте дітей і спостерігачів до місця використання електроінструменту. Через неухважність Ви можете втратити контроль.

ЕЛЕКТРИЧНА БЕЗПЕКА

- Штепсельна вилка електроінструменту повинна відповідати розетці. Будь-які модифікації вилки не дозволяються. Не застосовуйте перехідники з електроінструментом із заземленням. Вилки, що не були модифіковані, та відповідні розетки зменшують ризик удару електричним струмом.
- Уникайте контакту тіла із заземленими поверхнями, такими як труби, радіатори, агрегати і холодильники. Якщо ваше тіло буде заземленим, ризик удару електричним струмом підвищується.
- Не залишайте електроінструмент під дощем або у вологому середовищі. Вода, що потрапляє до електроінструменту, підвищує ризик удару електричним струмом.
- Не пошкоджуйте шнур. Забороняється застосовувати шнур для перенесення, перусування або вимикання електроінструменту. Тримайте шнур подалі від тепла, мастил, гострих країв або рухомих частин.

UK

Пошкоджений або заплутаний шнур підвищує ризик удару електричним струмом.

- b. Під час використання електроінструменту за межами приміщення використовуйте подовжувач, що підходить для зовнішньої роботи. Використання подовжувача, що підходить для застосування на відкритому повітрі, зменшує ризик удару електричним струмом.
- c. Якщо використання електроінструменту у вологих умовах уникнути неможливо, застосуйте його за умови захисту автоматичним вимикачем витікання на землю. Використання автоматичного вимикача витікання на землю зменшує ризик електричного шоку.

ОСОБИСТИЙ ЗАХИСТ

- a. Будьте напоготові, уважно спостерігайте за всім, що робите, та використовуйте здоровий глузд під час роботи з електроінструментом. Не застосовуйте електроінструмент, якщо Ви втомилися або перебуваєте під дією наркотичних речовин, алкоголю або ліків. *Неуважність під час експлуатації електроінструменту може призвести до серйозних особистих травм.*
- b. Використовуйте засоби особистого захисту. Завжди одягайте захисні окуляри. *Засоби особистого захисту, такі як маска від пилу, нековзне безпечне взуття, шолом-каска або засоби захисту слуху, що застосовуються за відповідних умов, зменшують ризик отримання травми робітником.*
- c. Не допускайте випадкового включення обладнання. Перш ніж під'єднувати обладнання до джерела струму та / або комплекту батарей, підімати або переносити його, перевірте, що вимикач перебуває у положенні «включено». *Перенесення електроінструменту з утримуванням пальця на вимикачі або електроінструменту під напругою з увімкнутим вимикачем сприяє виникненню нещасних випадків.*
- d. Перш ніж включити електроінструмент, заберіть з нього будь-який регулюючий або гайковий ключ. *Ключ, що залишився на рухомих деталях електроінструменту, може призвести до особистих травм.*
- e. Не допускайте перенапруження. Завжди зберігайте рівновагу та надійне положення. *Це дозволяє краще керувати електроінструментом у непередбачених ситуаціях.*
- f. Одягайтеся належним чином. Не носіть вільний одяг або прикраси. Тримайте волосся, одяг та рукавиці подалі від рухомих частин. *Вільний одяг, прикраси або довге волосся можуть потрапити у рухоми деталі.*
- g. Якщо наявними є пристрої, що з'єднують джерело відлення пилу і обладнання його збору, переконайтесь, що вони під'єднані і належно використовуються. *Використання таких приладів допоможе уникнути ризиків, пов'язаних з накопиченням пилу.*

ЕКСПЛУАТАЦІЯ ТА ДОГЛЯД ЗА ЕЛЕКТРОІНСТРУМЕНТОМ

- a. Не застосовуйте силу до електроінструмента. Використовуйте електроінструмент, який відповідає Вашим потребам. *Правильний електроінструмент виконає роботу краще та безпечніше, згідно своєю призначенню.*
- b. Не використовуйте електроінструмент, якщо вимикач не може його включити чи виключити. *Будь-який електроінструмент, що не управляється вимикачем, є небезпечним та підлягає ремонту.*
- c. Перед здійсненням будь-яких регулювань, заміни деталей чи зберіганням електроінструменту, від'єднайте штепсельну вилку від джерела живлення та/або комплект батарей від електроінструменту. *Такі запобіжні заходи зменшують ризик випадкового запуску електроінструменту.*

- d. Зберігайте невикористований електроінструмент в недоступних для дітей місцях та не дозволяйте особам, незнайомим з електроінструментом або цими інструкціями, використовувати електроінструмент. *Електроінструмент є небезпечним у руках недосвідчених користувачів.*
- e. Обслуговуйте електроінструмент належним чином. Перевірте правильність положення або зчеплення рухомих частин, пошкоджених частин або інші умови, що можуть вплинути на експлуатацію електроінструменту. *У разі пошкодження обладнання перед експлуатацією підлягає ремонту. Багато нещасних випадків були наслідками неналежного технічного обслуговування електроінструменту.*
- f. Зберігайте інструменти для різання з гострими кромками і чистими. *Інструменти для різання з гострими кромками, що пройшли технічне обслуговування, менше злипаються, ними легше керувати.*
- g. Використовуйте електроінструмент, допоміжні елементи, частини електроінструменту тощо відповідно до цих інструкцій та з урахуванням умов праці і роботи, яку слід виконати. *Застосування електроінструменту для будь-яких операцій, що відрізняються від його призначення, може спричинити небезпечну ситуацію.*

ОБСЛУГОВУВАННЯ

- a. Допускайте до обслуговування Вашого електроінструменту лише кваліфікованого майстра з ремонту, що використовує лише ідентичні запасні частини. *Це забезпечить безпеку електроінструменту.*

ІНСТРУКЦІЇ З БЕЗПЕКИ ДЛЯ ВСІХ ОПЕРАЦІЙ

ІНСТРУКЦІЇ З БЕЗПЕКИ ЗАГАЛЬНІ ДЛЯ ОПЕРАЦІЙ ШЛІФУВАННЯ, ПОЛІРУВАННЯ ПІСКІМ, ОЧИЩЕННЯ ДРОТЯНИМИ ШІТКАМИ, ПОЛІРУВАННЯ, РІЗЬБЛЕННЯ АБО АБРАЗИВНОГО РІЗАННЯ

- a. Це обладнання діє як машина для шліфування, полірування піском, очищення дротяними шітками, полірування, різьблення або відрізання. *Ознайомтеся з усіма застереженнями, інструкціями, ілюстраціями та технічними характеристиками, які супроводжують цей електроінструмент. Недодержання нижчеподаних вказівок може призвести до удару електричним струмом, пожежі і/або важких тілесних ушкоджень.*
- b. Не використовуйте приладдя, яке не було передбачено або рекомендовано виробником інструменту. *Сама лише можливість закріплення приладдя на Вашому електроприладі не гарантує його безпечне використання.*
- c. Допустима кількість обертів шліфувального інструмента повинна як мінімум відповідати максимальній кількості обертів, що зазначена на електроприладі. *Приладдя, що працює швидше за свою номінальну швидкість, може бути зіпсоване чи відлетіти.*
- d. Зовнішній діаметр і товщина робочого інструмента повинна відповідати параметрам Вашого електроприладу. *Приладдя з невірними розмірами не може бути реєстрованим.*
- e. Розмір оправи колеса, шліфувальних барабанів або іншого приладдя повинен відповідати розміру шпинделя або цагни електроінструменту. *Приладдя, що не точно пасує до елементів кріплення електроінструменту, обертається нерівномірно, сильно вібує і може призводити до втрати контролю над ним.*

- f. **Оправка колісних пар, шліфувальні барабани, фрези та інші робочі інструменти повинні бути повністю вставлені в цангу або затискач.** Якщо *оправка незадовільно тримається і/або колесо звисає занадто сильно, воно може відкритися та відлетіти на великій швидкості.*
- g. **Не використовуйте пошкоджені робочі інструменти.** Перед кожним використанням перевіряйте робочі інструменти, зокрема шліфувальні круги на відламки та тріщини, тарілчасті шліфувальні круги на тріщини, розриви або сильне зношування, дротані щітки на розхитані або зламані дроти. Якщо електроприлад або робочий інструмент впав, перевірте, чи не пошкодився він, або використовуйте непошкоджені робочий інструмент. Після перевірки і монтажу робочого інструмента Ви самі і інші особи, що знаходяться поблизу, повинні стати так, щоб не знаходитися в площині робочого інструмента, що обертається, після чого увімкніть електроприлад на одну хвилину на максимальну кількість обертів. *Пошкоджені робочі інструменти зазвичай ламаються під час такої перевірки.*
- h. **Вдягайте особисте захисне спорядження. В залежності від виду робіт використовуйте захисну маску, захист для очей або захисні окуляри. За необхідністю вдягайте респіратор, навушники, захисні рукавиці або спеціальний фартух, щоб захистити себе від невеличких частинок, що утворюються під час шліфування, та частинок матеріалу. Очі повинні бути захищені від відлетілих чужорідних тіл, що утворюються при різних видах роботи. Маска від пилу або респіратор повинні фільтрувати частини, що утворюються під час роботи. При тривалій роботі при гучному шумі можна втратити слух.**
- i. **Слідкуйте за тим, щоб інші особи дотримувалися безпечної відстані від Вашої робочої зони. Кожен, хто заходить у робочу зону, повинен мати особисте захисне спорядження. Уламки оброблюваного матеріалу або зламані робочі інструменти можуть відлітати та спричиняти тілесні ушкодження навіть за межами безпосередньої робочої зони.**
- j. **Тримайте електроінструмент лише на спеціальних ізольованих поверхнях при виконанні операцій, коли ніж може торкатися схованого проводу або власного шнуру. Ріжучий елемент, що контактує з проводом під напругою, може призвести до того, що незахищені частини електроінструмента теж будуть під напругою і зможуть завдати оператору електричного шоку.**
- k. **Завжди міцно тримайте інструмент під час запуску. Реактивний обертальний момент двигуна під час прискорення до повної швидкості може викликати скручування інструменту.**
- l. **Використовуйте затискачі для утримання заготовлі, коли це зручно. Ніколи не тримайте невелику заготовлі в одній руці, а інструмент в іншій під час використання. Затиснута невелика заготовлі дозволяє використовувати руку(-и) для кращого керування інструментом. Круглі матеріали, такі як стрижні, труби або трубки, мають схильність до перекошування під час різання, що може призвести до зчеплення або зіскоку свердла у вашому напрямку.**
- m. **Тримайте шнур живлення на відстані від робочого інструмента, що обертається. При втраті контролю над приладом може перерізатися або захопитися шнур живлення та Ваша рука може потрапити під робочий інструмент, що обертається.**
- n. **Перш, ніж покласти електроприлад, зачекайте, поки робочий інструмент повністю не зупиниться. Робочий інструмент, що це обертається, може зачепити поверхню, на яку Ви його кладете, через що Ви можете втратити контроль над електроприладом.**
- o. **Після заміни свердла або здійснення будь-яких інших регулювань, переконайтеся, що гайка цанги, затискач або будь-які інші пристрої регулювання надійно затягнуті. Незакріплені пристрої регулювання можуть несподівано зсунутися, що призведе до втрати контролю, а незакріплені елементи, що обертаються, можуть різко відлетіти.**
- p. **Не залишайте електроприлад увімкнутим під час перенесення. Ваш одяг може випадково потрапити в робочий інструмент, що обертається, та робочий інструмент може пробурувати Вас.**
- q. **Регулярно прочищайте вентиляційні щілини Вашого електроприладу. Вентилятор електромотора затягує пил у корпус, сильне накопичення металевого пилу може призвести до електричної небезпеки.**
- r. **Не користуйтеся електроприладом поблизу від горючих матеріалів. Такі матеріали можуть займатися від іскор.**
- s. **Не використовуйте робочі інструменти, що потребують охолоджувальної рідини. Використання води або іншої охолоджувальної рідини може призвести до удару електричним струмом.**

СПІПАННЯ ТА ВІДПОВІДНІ ЗАСТЕРЕЖЕННЯ

Віддача – це раптова реакція приладу на зачеплення або стискання робочого інструмента, що обертається, наприклад, шліфувального круга, тарілчастого шліфувального круга, дротанної щітки тощо. Зачеплення або стискання призводить до раптової зупинки приладу, що обертається, яке, в свою чергу, викликає неконтрольовану віддачу обладнання у бік, протилежний напрямку обертання приладу. Якщо, наприклад, шліфувальний круг зачепиться або застряне в оброблюваному матеріалі, кромка шліфувального круга, якою той зайшов у оброблюваний матеріал, може застрягти і, таким чином, шліфувальний круг може вискочити з оброблюваної поверхні або сіпнутися. В результаті шліфувальний круг починає рухатися в напрямку особи, що обслуговує прилад, або у протилежному напрямку, в залежності від напрямку обертання круга в місці застрягання. При цьому шліфувальний круг може переламатися. Сіпання – це результат неправильної експлуатації або помилки при роботі з електроприладом. Йому можна запобігти за допомогою належних запобіжних заходів, що описані нижче.

- a. **Міцно тримайте електроприлад, тримайте своє тіло та руки у положенні, в якому Ви зможете протистояти сіпанню. Оператор може контролювати силу віддачі, якщо ужити належні запобіжні заходи.**
- b. **Працюйте з особливою обережністю в кутах, на гострих краях тощо. Запобігайте відсадуванню робочого інструмента від оброблюваного матеріалу та його заклинюванню. В кутах, на гострих краях або при відсадуванні робочий інструмент може заклинюватися. Це призводить до втрати контролю або сіпання.**
- c. **Не приєднуйте зубчасті пилки. Такі робочі інструменти часто спричиняють сіпання або втрату контролю над електроприладом.**
- d. **Свердло завжди вводять в матеріал у тому ж напрямку, в якому ріжуча кромка виходить з нього (той самий напрямок викиду відламок). Введення інструменту в неправильному напрямку може стати причиною відсадування ріжучої кромки свердла із заготовлі та потягне електроінструмент у напрямку введення.**
- e. **При використанні напилків, що обертаються, відрізних коліс, високошвидкісних фрез або ножів з карбїду вольфраму, завжди надійно затискайте заготовлі. Ці колеса можуть зачепитися у канавці, якщо вони трохи нахиляться, також це може викликати віддачу. Якщо зачепилося відрізне колесо, зазвичай ламається саме колесо. Якщо зачепилася напилко, що обертається, високошвидкісна фреза або ніж з карбїду вольфраму, він може зіскочити з канавки, а ви можете втратити контроль над інструментом.**

ЗАСТЕРЕЖЕННЯ З БЕЗПЕКИ ДЛЯ ОПЕРАЦІЙ ШЛІФУВАННЯ ТА АБРАЗИВНОГО ВІДРІЗАННЯ

- a. **Використовуйте лише ті типи кругів, що були рекомендовані для вашого електроінструменту та згідно використання. Наприклад: ніколи не шліфуйте**

боковою поверхнею відрізного круга. Відрізні круги призначені для знімання матеріалу кромкою круга. Більше навантаження може зламати шліфувальний круг.

- b. Різьбові абразивні конуси та вилки використовуйте тільки з неушкодженою оправкою з незмінним фланцем, які мають правильний розмір та довжину. Правильно підібрана оправка зменшить можливість поломки.
- c. Уникайте застрявання відрізного круга або занадто сильного натискання. Не робіть занадто глибоких надрізів. Занадто сильне натискання на відрізний круг збільшує навантаження на нього та його схильність до перекосу або застрягання і таким чином збільшує можливість спіання або ламання шліфувального круга.
- d. Уникайте зони попереду та позаду відрізного круга, що обертається. Якщо Ви пересуваєте відрізний круг в оброблюваному матеріалі в напрямку від себе, при спіанні електроприлад з кругом, що обертається, може відскочити прямо на Вас.
- e. Якщо відрізний круг заклинить або Ви зупините роботу, вимкніть електроприлад та тримайте його спокійно, поки круг не зупиниться. Ніколи не намагайтеся виїняти з прорізу відрізний круг, що ще обертається, інакше електроприлад може спитнутися. Проаналізуйте та вживайте заходів, щоб виправити становище та усунути причину защемлення колеса.
- f. Не вмикайте електроприлад до тих пір, поки він ще знаходиться в оброблюваному матеріалі. Дайте відрізному кругу спочатку досягти повного числа обертів, перш ніж Ви обережно продовжите роботу. В противному випадку круг може застряти, вискочити з оброблюваного матеріалу або спінутися.
- g. Підійрайте плити або великі оброблювані поверхні, щоб зменшити ризик спіання через заклинення відрізного круга. Великі оброблювані поверхні можуть прогнати під власною вагою. Оброблюваний матеріал треба підіпрати з обох боків: як поблизу від прорізу, так і з краю.
- h. Будьте особливо обережні при прорізах в стінах або в інших місцях, в які Ви не можете зазирнути. Відрізний круг, що занурюється, може порізати газопровід або водопровід, електропроводку або інші азбесті і спричинити спіання.

ЗАСТЕРЕЖЕННЯ З БЕЗПЕКИ ДЛЯ ОПЕРАЦІЙ ПОЛІРУВАННЯ ДРОТЯНОЮ ЩІТКОЮ

- a. Пам'ятайте, що щітка залишає після себе дротові голки навіть під час звичайної операції. Не перевантажуйте дроти, застосовуючи надмірне навантаження на щітку. Дротові голки можуть легко проникати через легкий одяг та / або шкіру.
- b. Дозвольте щіткам працювати з робочою швидкістю протягом не менше однієї хвилини перед використанням. У цей час ніхто не повинен стояти попереду або на одній лінії зі щіткою. Нещільні дротові голки або дрот випадають під час виконання робіт.
- c. Направте випадіння дротів зі щітки, що обертається, у протилежному від вас напрямку. Дрібні частинки та крихлітні фрагменти дроту можуть відлітати з великою швидкістю при використанні цих щіток, в наслідок чого вони можуть врізатися в вашу шкіру.
- d. Не більше 15 000 об/хв., якщо застосовуються дротові щітки.

УВАГА НЕ ПРАЦЮЙТЕ З МАТЕРІАЛАМИ, ЩО МІСТЯТЬ АЗБЕСТ (АЗБЕСТ ВВАЖАЄТЬСЯ КАНЦЕРОГЕННИМ МАТЕРІАЛОМ).

УВАГА ВЖИВАЙТЕ ЗАХОДІВ ЗАХИСТУ, ЯКЩО ПІД ЧАС РОБОТИ МОЖЛИВЕ УТВОРЕННЯ ПИЛУ, ШКІДЛИВОГО ДЛЯ ЗДОРОВ'Я, ЛЕГКОЗАЙМИСТИХ АБО ВИБУХОВИХ РЕЧОВИН (ДЕЯКІ ВИДИ ПИЛУ ВВАЖАЮТЬСЯ КАНЦЕРОГЕННИМИ);

ОДЯГАЙТЕ РЕСПИРАТОР ПІД ЧАС РОБОТИ З ПИЛОМ / ВИДАЛЕННЯ СТРУЖКИ.

НАВКОЛИШНЄ СЕРЕДОВИЩЕ

УТИЛІЗАЦІЯ

Машини, приладдя та упаковку слід сортувати з метою їх екологічно безпечної утилізації.

ТІЛЬКИ ДЛЯ КРАЇН ЄС



Не викидайте електроінструмент разом з побутовим сміттям! Згідно з Європейською Директивою 2012/19/ЄС про утилізацію електричного та електронного устаткування і її впровадження в національне законодавство, електроінструмент, який не підлягає подальшому використанню, повинен зберігатися окремо від інших відходів та утилізуватися екологічно безпечним чином.

ТЕХНІЧНІ ХАРАКТЕРИСТИКИ

ЗАГАЛЬНІ ТЕХНІЧНІ ХАРАКТЕРИСТИКИ

	200	3000	4000	4200
Номинальна потужність (Вт)	125	130	175	175
Номинальна напруга	230-240 В, 50 Гц	230 В, 50 Гц	230-240 В, 50-60 Гц	220-240 В, 50-60 Гц
Максимальний діаметр виробу	0,8 мм, 1,6 мм, 2,4 мм, 3,2 мм			
Номинальна швидкість (n)	35 000 об/хв	33 000 об/хв	35 000 об/хв	33 000 об/хв
 Конструкція класу II	Інструменти з подвійною ізоляцією			

ПОДОВЖУВАЧІ

Використовуйте не скручені та безпечні шнури потужністю 5 А.

СПЕЦИФІКАЦІЇ ДВИГУНА

Ліше 3000

Цей універсальний інструмент обладнаний багатшвидкісним двигуном. Він працює при напрузі 230 В, 50 Гц. Завжди перевіряйте, щоб параметри напруги електроживлення відповідали параметрам, вказаним на заводській табличці інструменту.

ЗБИРАННЯ

ЗАВЖДИ ВИМИКАЙТЕ УНІВЕРСАЛЬНИЙ ІНСТРУМЕНТ З МЕРЕЖІ ПЕРЕД ЗАМІНОЮ ПРИЛАДДА, ВИРОБУ АБО ОБСЛУГОВУВАННЯМ ІНСТРУМЕНТУ.

ЗАГАЛЬНА ІНФОРМАЦІЯ

Багатофункціональний інструмент Dremel – найпотужніший точний інструмент, що може використовуватися для виконання дрібних і складних операцій. Широкий асортимент приладдя та додаткового обладнання Dremel дозволяє виконувати широкий спектр завдань. Сюди відносяться такі завдання,

як полірування піском, різьба, гравірування, маршрутизація, чищення і полірування.

МАЛЮНОК: 2-5

- A. Гайка цанги
- B. Цанга
- C. Кришка корпусу або інтегрований гайковий ключ/М. Змінний затискач EZ насадка EZ Twist™
- D. Кнопка блокування валу
- E. Перемикач ВМК. / ВИМК.
- F. Вішалка
- G. Шнур живлення
- H. Кришка щітки
- I. Вентиляційні отвори
- J. Шкала швидкості
- K. Гайковий ключ цанги

ЦАНГИ

Приладдя Dremel підходить для роботи з універсальним інструментом та різними розмірами заготівель. Цанги чотирьох розмірів передбачені для розміщення різних розмірів гомілки. Розмір цанги можна визначити по кільцях у задній частині цанги.

МАЛЮНОК 6

- A. Гайка цанги
 - N. 3,2 мм цанга без кільця (480)
 - O. 2,4 мм цанга з трьома кільцями (481)
 - P. 1,6 мм цанга з двома кільцями (482)
 - Q. 0,8 мм цанга з одним кільцем (483)
 - R. Розпізнавальні кільця
- Увага: Деякі комплекти універсальних інструментів можуть не включати всі чотири розміри цанги. Цанги надаються окремо.*

Завжди використовуйте цанги, розмір яких відповідає розміру заготівлі на тому приладді, що ви застосовуєте. Не застосовуйте заготівлю з діаметром більше за діаметр цанги.

ЗМІНА ЦАНГИ

- МАЛЮНОК 7 (200)
- (МАЛЮНОК 11 (3000/4000)
- МАЛЮНОК 19 (4200)

- A. Гайка цанги
- C. Кришка корпусу (EZ Twist™)
- D. Кнопка блокування валу
- K. Гайковий ключ цанги
- S. Послабити
- T. Затягнути

1. Натисніть кнопку блокування валу, утримуючи натиснутою кнопку, обертайте вал рукою, доки він не зчепиться з фіксатором вала. Не застосовуйте кнопку блокування валу, доки універсальний інструмент працює.
2. З натиснутою кнопкою блокування валу послабте і змініть гайку цанги. Використовуйте цанговий ключ за потреби.
3. Видаліть цангу, витягнувши її з валу.
4. Повністю встановіть цангу відповідного розміру в вал та щільно встановіть палець гайки цанги. Неповністю затягніть гайку, якщо відсутнє свердло або встановлене приладдя.

ЗАМІНА ПРИЛАДДЯ

МАЛЮНОК 8

1. Натисніть кнопку блокування валу та обертайте вал рукою, доки він не зчепиться з фіксатором валу. Не застосовуйте кнопку блокування валу, доки універсальний інструмент працює.
2. З натиснутою кнопкою блокування валу послабте (не знімайте) гайку цанги. Використовуйте цанговий ключ за потреби.

3. Вставте свердло або хвостовик приладдя у цангу.
4. При натисканні кнопки блокування валу затягніть руками гайку цанги до контакту цанги зі свердлом або приладдям.
Увага: Обов'язково ознайомтеся з інструкцією, що супроводжує приладдя Dremel, для отримання додаткової інформації з його використання.

Використовуйте лише потужне приладдя, що пройшло випробування Dremel.

ІНТЕГРОВАНІЙ ГАЙКОВИЙ КЛЮЧ/НАСАДКА EZ TWIST™

Лише 3000 і 4000

МАЛЮНОК 11

- C. Інтегрований гайковий ключ/насадка EZ Twist™

Ця насадка має інтегрований гайковий ключ, за допомогою якого Ви можете послабити або затягнути гайку цанги, не використовуючи для цього звичайний гайковий ключ цанги.

1. Відвинтіть насадку з інструменту, відцентруйте металеву вставку всередині головки насадки відносно гайки цанги.
2. Заблокувавши вал, поверніть насадку проти годинникової стрілки, щоб послабити гайку цанги. Не застосовуйте кнопку блокування валу, доки універсальний інструмент працює.
3. Вставте свердло або хвостовик приладдя у цангу.
4. Заблокувавши вал, поверніть насадку за годинниковою стрілкою, щоб затягнути гайку цанги.
5. Привинтіть насадку на її початкове положення.
Увага: Обов'язково ознайомтеся з інструкцією, що супроводжує приладдя Dremel, для отримання додаткової інформації з його використання.

Використовуйте лише потужне приладдя, що пройшло випробування Dremel.

БАЛАНСУВАННЯ ПРИЛАДДЯ

Для точної роботи дуже важливо, щоб усе приладдя було збалансоване (так само, як колеса автомобілю). Для балансування приладдя послабте гайку цанги і поверніть приладдя або цангу на 1/4 оберт. Ще раз затягніть гайку цанги і запустіть інструмент, що обертається. Слід вміти визначити збалансованість приладдя за звуком. Продовжуйте коригування тим же чином для отримання кращого балансу.

ВИКОРИСТАННЯ ПРИЛАДДЯ

Інструмент Dremel може бути устаткований різними приладдям, яке значно збільшує функціональні можливості вашого електроприладдя.

УВАГА!

Не все нижчезазначене приладдя входить до комплекту. Використовуйте лише потужне приладдя, що пройшло випробування Dremel! Ви можете замовити сумісне приладдя та додаткове обладнання, звернувшись до Сервісного центру Dremel або перейшовши на веб-сторінку www.dremel.com.

1. Використовуйте гнучий вал (225) для виконання точної, дрібної роботи у важкодоступних місцях. ДИВ СТОРІНКУ 7.

УВАГА!

Для максимальної продуктивності перед використанням дайте новому гнучкому валу (Flexshaft) попрацювати 2 хвилини на високій швидкості у вертикальному положенні на вашому універсальному інструменті.

2. Використовуйте платформу для формування Dremel (576) для полірування піском і шліфування під кутом 90 та 45 градусів. ДИВ СТОРІНКУ 9.

- Використовуйте креслярські ручки Dremel (577), щоб ще краще контролювати ваш багатофункціональний інструмент. ДИВ СТОРІНКУ 8.
- Використовуйте універсальний різальний комплект (565/566) для оптимального різання різних матеріалів. ДИВ СТОРІНКУ 10.
- Використовуйте комплект для видалення цементного розчину (568) між настінними і підлоговими плитками. ДИВ СТОРІНКУ 11.
- Використовуйте різак та дисковий ніж (678) для отримання бездоганих отворів та виконання прямих прорізів. ДИВ СТОРІНКУ 12.
- Використовуйте прямокутне приладдя (575), щоб встановити додаткове обладнання під прямим кутом при роботі у важкодоступних місцях. ДИВ СТОРІНКУ 13.
- Використовуйте спеціальне захисне приладдя Comfort Guard для захисту від пилу та іскор. ДИВ СТОРІНКУ 14.

ЗАПУСК

ЗАСТОСУВАННЯ

Перший крок у використанні універсального інструменту – навчитися відчувати його. Потримайте його в руках, щоб відчувати вагу і рівновагу. Відчуйте конусну форму корпусу. Цей конус дозволяє брати інструмент як олівець чи ручку. *Завжди тримайте інструмент подаль від обличчя.*

Приладдя може пошкоджуватися в процесі роботи і може відлітати на великій швидкості.

Тримайте інструмент, не закривайте вентиляційні отвори рукою. Блокування вентиляційних отворів може привести до перегріву двигуна.

ВАЖЛИВО! Спочатку потренуйтеся на металовідходах, щоб побачити роботу інструменту на великій швидкості. Майте на увазі, що універсальний інструмент буде найбільш ефективним разом з відповідним приладдям та допоміжним обладнанням Dremel, виконуючи роботу для Вас. Не тисніть на інструмент під час роботи, якщо можливо. Замість цього, опустіть приладдя, що обертається, на робочу поверхню і дайте йому доторкнутися до точки, з якої Ви хочете почати. Зосередьтеся на спрямуванні приладдя протягом експлуатації, застосовуючи невеликий тиск зі свого боку. Дозвольте приладдю виконувати роботу.

Зазвичай краще зробити серію проходів інструментом, ніж намагатися зробити все за один прохід. Обережний дотик забезпечує кращий контроль і знижує ймовірність помилок.

ТРИМАННЯ ІНСТРУМЕНТУ

Для кращого контролю при роботі тримайте універсальний інструмент як олівець між великим та вказівним пальцями. МАЛЮНОК 13

Метод тримання як у гольфі використовується для важких операцій, таких як шліфування або різання. МАЛЮНОК 14

РОБОЧІ ШВИДКОСТІ

Щоб вибрати правильну швидкість для кожного завдання, потренуйтеся на частині матеріалу.

ПЕРЕМИКАЧ ВМК./ВИМК.

Інструмент **ВИМКАЄТЬСЯ** перемикачем, розташованим зверху корпусу.

ЩОБ УВІМКНУТИ ІНСТРУМЕНТ, посуňte кнопку перемикача уперед.

ЩОБ ВИМКНУТИ ІНСТРУМЕНТ, посуňte кнопку перемикача назад.

ПОТУЖНИЙ ДВИГУН

Ваш інструмент устаткований потужним двигуном, від якого обертається інструмент. Цей двигун поширює різнобічність ротаційного інструменту, активуючи додаткове обладнання Dremel.

ЕЛЕКТРОННА СИСТЕМА КОНТРОЛЮ

Ваш інструмент устаткований внутрішньою електронною системою контролю, що забезпечує повільний запуск, що зменшує напругу, пов'язану із запуском на високому моменті обертання. Ця система також допомагає зберігати заздалегідь обрану швидкість, утримуючи її фактично незмінною без або з навантаженням.

ШКАЛА ШВИДКОСТІ

Ваш інструмент устаткований шкалою швидкості. Швидкість можна налаштувати під час виконання роботи, заздалегідь встановивши шкалу швидкості на або між будь-яким налаштуванням.

Швидкість ротаційного інструменту контролюється шляхом встановлення шкали на корпусі. МАЛЮНОК 12

Налаштування кількості обертів

200 модель	
Перемикач налаштування	Діапазон швидкості (об/хв)
Низька	15 000
Висока	35 000
3000 модель	
Перемикач налаштування	Діапазон швидкості (об/хв)
1-2	10 000-14 000
3-4	15 000-19 000
5-6	20 000-23 000
7-8	24 000-28 000
9-10	29 000-33 000
Модель 4000 і 4200	
Перемикач налаштування	Діапазон швидкості (об/хв)
5	5 000
10	10 000
*15	15 000
20	20 000
25	25 000
30	30 000
33 (лише 4000)	33 000
35 (лише 4200)	35 000

* Не більше 15 000 об/хв, якщо застосовуються дротові щітки.

Див. схему «Налаштування швидкості» на сторінках 4-7, щоб визначити належну швидкість для оброблюваного матеріалу та приладдя, яке слід застосовувати.

Більшість завдань може бути виконана інструментом з використанням максимальних налаштувань. Проте, деякі матеріали (деякі пластмаси та метали) можуть бути пошкоджені під впливом тепла, яке утворюється на високих швидкостях, і з ними слід працювати на відносно низьких швидкостях. Робота на низькій швидкості (15 000 об/хв або менше) зазвичай краще підходить для операцій полірування з використанням повстяного приладдя для полірування. Усе щіткове приладдя вимагає низьких швидкостей, щоб уникнути випадіння дротів зі щітки. Якщо налаштувати низьку швидкість, інструмент може виконувати роботу найкращим чином. Вища швидкість краща для твердої деревини, металів, скла, а також для буріння, різьблення, різання, маршрутизації та формування.

Деякі принципи, що стосуються швидкості інструменту:

- Пластмасу та інші матеріали, які плавляться при низьких температурах, слід нарізати на низьких швидкостях.
- Полірування, пом'якшення та чищення дротовою щіткою

слід виконувати на швидкості не більшій за 15 000 об/хв, щоб не пошкодити щітку та матеріал.

- Деревину слід різати на високій швидкості.
- Залізо або сталь слід різати на високій швидкості.
- Якщо ніж починає вібрувати при підвищенні швидкості, це зазвичай означає, що він працює дуже повільно.
- Алюмінієві, мідні сплави, сплави свинцю, цинку та олова можна різати з різною швидкістю в залежності від типу різання, що виконується. Використовуйте парафін (без води) або інші відповідні мастила на різак для запобігання прилипання матеріалу до зубів різака.

Увага: Збільшення тиску на інструмент не вихід, якщо він функціонує не належним чином. Спробуйте застосувати інше приладдя або налаштування швидкості для досягнення бажаного результату.

ОБСЛУГОВУВАННЯ ТА РЕМОНТ

УВАГА ЗАВЖДИ ВІДКЛЮЧАЙТЕ ІНСТРУМЕНТ ВІД ДЖЕРЕЛА ЖИВЛЕННЯ ПЕРЕД ЗДІСНЕННЯМ БУДЬ-ЯКИХ РЕГУЛЮВАНЬ, ЗАМІНИ ПРИЛАДДЯ, ОБСЛУГОВУВАННЯ, ЧИЩЕННЯ ТОЩО. ЦЕ ЗМЕНШУЄ РИЗИК ВИПАДКОВОГО ЗАПУСКУ ЕЛЕКТРОІНСТРУМЕНТУ.

УВАГА ДОПУСКАЙТЕ ДО ОБСЛУГОВУВАННЯ ВАШОГО ЕЛЕКТРОІНСТРУМЕНТУ ЛИШЕ КВАЛІФІКОВАНОГО МАЙСТРА З РЕМОНТУ, ЩО ВИКОРИСТОВУЄ ЛИШЕ ІДЕНТИЧНІ ЗАПАСНІ ЧАСТИНИ. РЕКОМЕНДУЄМО ВИКОНУВАТИ ВСЕ ТЕХНІЧНЕ ОБСЛУГОВУВАННЯ ІНСТРУМЕНТУ В СЕРВІСНОМУ ЦЕНТРІ КОМПАНІЇ «DREMEL». ЦЕ ГАРАНТУЄ БЕЗПЕКУ ІНСТРУМЕНТУ, ПРОФІЛАКТИЧНЕ ОБСЛУГОВУВАННЯ, ЩО ЗДІСНЮЄТЬСЯ НЕАВТОРИЗОВАНИМ ПЕРСОНАЛОМ, МОЖЕ СПРИЧИНИТИ НЕПРАВИЛЬНЕ ПІД'ЄДНАННЯ ВНУТРІШНЬОЇ ПРОВІДКИ І СКЛАДОВИХ, ЩО МОЖЕ ПРИЗВЕСТИ ДО СЕРІОЗНОЇ НЕБЕЗПЕКИ.

УВАГА!

Ви можете лише оглядати та замінити вугільні щітки. Усередині інструменту більше немає деталей, придатних до обслуговування.

ЧИЩЕННЯМ

1. Очистіть вентиляційні отвори, перемикачі та важелі інструменту за допомогою сухого стислого повітря.

УВАГА НЕ НАМАГАЙТЕСЬ ОЧИЩАТИ ІНСТРУМЕНТ, ВСТАВЛЯЮЧИ ГОСТРІ ПРЕДМЕТИ В ЙОГО ОТВОРИ.

УВАГА ВИКОРИСТОВУЙТЕ ЗАХИСНІ ОКУЛЯРИ ДЛЯ ЗАХИСТУ ОЧЕЙ.

2. Очистіть поверхню інструмента за допомогою вологої тканини.

УВАГА НЕ ВИКОРИСТОВУЙТЕ ДЛЯ ЧИЩЕННЯ ІНСТРУМЕНТУ МІЙНІ ЗАСОБИ ТА РОЗЧИННИКИ, ТАКІ ЯК БЕНЗИН, ЧОТИРЬОХЛОРИСТИЙ ВУГЛЕЦЬ, ХЛОРОВАНИ РОЗЧИННИКИ, АМІАК ТА ПОБУТОВІ МІЙНІ ЗАСОБИ, ЩО МІСТЯТЬ АМІАК. ВОНИ МОЖУТЬ ПОШКОДИТИ ПЛАСТИКОВІ ДЕТАЛІ.

ОБСЛУГОВУВАННЯ ВУГЛЬНИХ ЩІТОК

За винятком 4000

Щоб зберегти максимальну ефективність двигуна, щітки слід оглядати кожні 40-50 годин використання. Також щітки слід

оглядати, коли інструмент працює нестабільно, у випадку втрати потужності або за наявності незвичайного шуму.

УВАГА ВИКОРИСТАННЯ ІНСТРУМЕНТУ ЗІ ЗНОШЕНИМИ ЩІТКАМИ МОЖЕ ЗАВДАТИ НЕВИПРАВНОЇ ШКОДИ ДВИГУНУ. ВИКОРИСТОВУВАТИ ТІЛЬКИ ОРИГІНАЛЬНІ ЗАМІННІ ЩІТКИ DREMEL.

1. Висмикніть вилку з розетки та помістіть інструмент на чистій поверхні.
2. Зніміть дві кришки щіток з інструменту за допомогою ключа, застосувавши його у якості викрутки. МАЛЮНОК 15 (200/3000), МАЛЮНОК 17 (4200).
3. Зніміть дві щітки з інструменту, потягнувши встановлені пружини. МАЛЮНОК 16 (200/3000), МАЛЮНОК 18 (4200).
4. Огляньте обидві щітки. Якщо довжина щітки менше 3 мм та/або її поверхня стала нерівною чи має западинки, замініть вугільну щітку новою.
 - a. Зніміть пружину зі щітки.
 - b. Викиньте стару щітку та встановіть пружину на нову щітку.

УВАГА!

Якщо одна щітка зношена, для кращої експлуатації інструменту слід замінити обидві щітки.

5. Встановіть на місце вугільні щітки (з пружинами). Існує лише один спосіб встановити щітку назад в інструмент.
6. Вставте на місце кришки щіток, повернувши їх за годинниковою стрілкою. Щоб затягнути їх, застосуйте гайковий ключ, але не перезатягайте!
7. Див. "Перше використання", щоб дізнатися, як знову використовувати інструмент.

ОБСЛУГОВУВАННЯ ТА ГАРАНТІЯ

УВАГА УСЕРЕДИНІ НЕ МІСТИТЬСЯ ЖОДНИХ ЧАСТИН, ЩО МОЖУТЬ ОБСЛУГОВУВАТИСЯ КОРИСТУВАЧЕМ. ПРОФІЛАКТИЧНЕ ОБСЛУГОВУВАННЯ, ЩО ЗДІСНЮЄТЬСЯ НЕАВТОРИЗОВАНИМ ПЕРСОНАЛОМ, МОЖЕ СПРИЧИНИТИ НЕПРАВИЛЬНЕ ПІД'ЄДНАННЯ ВНУТРІШНЬОЇ ПРОВІДКИ І СКЛАДОВИХ, ЩО МОЖЕ ПРИЗВЕСТИ ДО СЕРІОЗНОЇ НЕБЕЗПЕКИ. *Рекомендуємо виконувати все технічне обслуговування інструменту в Сервісному центрі компанії «Dremel». СЕРВІСНИЙ ПЕРСОНАЛ: Перед обслуговуванням інструменту від'єднуйте його та/або зарядний пристрій від джерела струму.*

Цей продукт компанії «DREMEL» підлягає гарантії згідно законодавчих/залежних від особливості країни правил; шкода, пов'язана зі звичайним зносом, перенавантаженням або неналежним поведінням не підпадає під умови гарантії.

У випадку рекамації, надішліть нерозібраний інструмент або зарядний пристрій і документ, що підтверджує їхнє придбання, Вашому агенту з продажу.

КОНТАКТНІ ДАНІ DREMEL

Щодо додаткової інформації стосовно видів продукції компанії «Dremel», підтримки і «гарячої лінії», зайдіть на адресу www.dremel.com.

Dremel, Konijnenberg 60, 4825 BD, Breda, Нідерланди

ТҮПНҮСҚА НҮСҚАУЛАРДЫҢ АУДАРМАСЫ

ПАЙДАЛАНЫЛАТЫН БЕЛГІЛЕР



ОСЫ НҮСҚАУЛАРДЫ ОҚЫҢЫЗ



ЕСТУ МҮШЕСІН ҚОРҒАЙТЫН БҰЙЫМДЫ
ПАЙДАЛАНУ



КӨЗДІ ҚОРҒАУ ҚҰРАЛЫН ПАЙДАЛАНУ



ШАҢНАН ҚОРҒАУ МАСКАСЫН
ПАЙДАЛАНУ



II КЛАСҚА СӘЙКЕС ҚҰРЫЛҒАН



ЭЛЕКТРЛІК ҚҰРАЛДАРДАУ,
АКСЕССУАРЛАРДЫ ЖӘНЕ ҚАПТАМАНЫ
ТҰРМЫСТЫҚ ҚАЛДЫҚ МАТЕРИАЛМЕН
БІРГЕ ҚОҚЫСҚА ТАСТАМАҢЫЗ

МЕХАНИКАЛЫҚ ҚҰРАЛДЫҢ ҚАУІПСІЗДІГІ БОЙЫНША ЖАЛПЫ ЕСКЕРТУЛЕР



НАЗАР АУДАРЫҢЫЗ

БАРЛЫҚ ҚАУІПСІЗДІК
ЕСКЕРТУЛЕРІ МЕН
НҮСҚАУЛАРДЫ ОҚЫҢЫЗ.

Ескертулер мен нұсқауларды орындамау салдарынан электр тогының соғуы, өрт және/немесе ауыр жарақат орын алуы мүмкін.

Барлық ескертулер мен нұсқауларды болашақта қарау үшін сақтап қойыңыз.

Ескертулердегі "механикалық құрал" термині желі арқылы жұмыс істейтін (сымды) механикалық құралды немесе батарея арқылы жұмыс істейтін (сымсыз) механикалық құралды білдіреді.

ЖҰМЫС ОРНЫНЫҢ ҚАУІПСІЗДІГІ

- Жұмыс орны таза және жарық жақсы түсірілген болу керек. Жұмыс орнының таза емес және қараңғы болуы салдарынан оқыс оқиғалар орын алады.
- Механикалық құралдарды тұтанғыш сұйықтықтар, газдар немесе шаң бар жер сияқты жарылысқа қауіпті орталарда пайдаланбаңыз. Механикалық құралдар шаң немесе түтінді тұтандыруы мүмкін ұшқындар шығарады.
- Механикалық құралды пайдаланған кезде балалар мен айналадағы адамдар алшақ тұруы қажет. Басқа нәрсеге алаңдау салдарынан зейін жоғалтуыңыз мүмкін.

ЭЛЕКТРЛІК ҚАУІПСІЗДІК

- Механикалық құралдың штепселі розеткаға сәйкес келуі қажет. Ешқашан штепселені өзгертіңіз. Ешқандай адаптер штекерін жерге тұзғытталған механикалық құралдармен пайдаланбаңыз. Өзгертілмеген штепселер мен сәйкес келетін розеткалар электр тогының соғу қаупін азайтады.

- Құбырлар, радиаторлар, газ плиталары және тоңазытқаштар сияқты жерге тұйықталған заттарға дөңеңізді тигізбеңіз. Дөңеңіз жерге тұйықталса, электр тогының соғу қаупі жоғары.
- Механикалық құралдарды жаңбыр астына немесе ылғалды жерлерге қоймаңыз. Механикалық құралға су кірсе, электр тогы соғуы мүмкін.
- Сымды орынсыз пайдаланбаңыз. Ешқашан сымды механикалық құралды тасу, тарту немесе қуат кезінен ажырату үшін пайдаланбаңыз. Сымды ыстық жерден, май, өткір шеттер немесе жылжымалы бөлшектерден алшақ ұстаңыз. Зақымдалған немесе шатасқан сымдар электр тогының соғу қаупін арттырады.
- Механикалық құралды далада пайдаланған кезде, далада пайдалануға болатын ұзартқыш сымды пайдаланыңыз. Далада пайдалануға болатын сымды пайдаланғанда электр тогының соғу қаупі азаяды.
- Ылғал жерде механикалық құралды пайдалануға тура келсе, жерге аққан жағдайда тоқты ажыратқашпен (ELCB) қорғалған жабдықты пайдаланыңыз. Жерге аққан жағдайда тоқты ажыратқашты пайдаланғанда электр тогының соғу қаупі азаяды.

ЖЕКЕ ҚАУІПСІЗДІК

- Механикалық құралды пайдаланған кезде абай болыңыз, не істеп жатқаныңызға қараңыз және зейін қойыңыз. Шаршап тұрсаңыз немесе есіртік, ішімдік немесе дәрі-дәрмек қабылдаған болсаңыз, механикалық құралды пайдаланбаңыз. Механикалық құралдарды пайдаланған кезде алаңдасарлық салдарынан жеке ауыр жарақат алуыңыз мүмкін.
- Жеке қорғаныс жабдығын пайдаланыңыз. Өрқашан көзді қорғау бұйымын киіңіз. Шаңнан қорғайтын маска, сырғанамайтын арнайы аяқ-киім, каска немесе есту мүшесін қорғайтын бұйым сияқты қорғаныс жабдығын тиісті жағдайларда пайдаланғанда жеке жарақат алу қаупі азаяды.
- Құралды абайсыз іске қоспаңыз. Құралды көтеру немесе тасымалдау арқылы қуат кезіне және/немесе батареяға қоспас бұрын қосқыш өшірулі екенін тексеріңіз. Механикалық құралдарды қосқышынан ұстап тасымалдау немесе қосқыш қоспуды күйде қуаттандыру салдарынан оқыс оқиғалар орын алуы мүмкін.
- Механикалық құралды іске қоспас бұрын барлық сомынды бұрайтын кілтті алып тастаңыз. Механикалық құралдың айналатын бөлігіне бекітілген сомынды бұрайтын кілт жеке жарақат алуға әкелуі мүмкін.
- Қатты тартпаңыз. Дұрыс тұрыңыз және тепе-теңдікті сақтаңыз. Бұл кездейсоқ жағдайларда механикалық құралды жақсырақ басқаруға мүмкіндік береді.
- Тісті түрде киініңіз. Кең киім киіменіз және әуешкі тақпаңыз. Шашыңызды, киіміңізді және қолғабыңызды жылжымалы бөлшектерден алшақ ұстаңыз. Кең киім, әуешкі немесе ұзын шаш жылжымалы бөлшектерге ілініп қалуы мүмкін.
- Шанды тарту қосылымы мен шанды жинау контейнері үшін құрылғылар қамтамасыз етілсе, олар жалғанғанына және тиісті түрде пайдаланылатынына көз жеткізіңіз. Осы құрылғыларды пайдалану шаңның қауіпті әсерлерін азайтуы мүмкін.

ҚҰАТ ҚҰРАЛЫН ПАЙДАЛАНУ ЖӘНЕ КҮТІМ КӨРСЕТУ

- Механикалық құралға күш түсірмеңіз. Қолдану мақсатына сәйкес механикалық құралды пайдаланыңыз. Дұрыс механикалық құрал өзінің арнайы жылдамдығында жұмысты едәуір тиімді және қауіпсіз орындайды.
- Қосқыш механикалық құралды іске қосып, өшірмесе, оны пайдаланбаңыз. Қосқыш арқылы

басқарылмайтын кез келген механикалық құрал қауіпті және оны жөндеу қажет.

- c. Реттеу әрекеттерін орындау, аксессуарларды өзгерту немесе механикалық құралдарды сақтауға қою алдында штепсельді қуат көзінен және/немесе батареядан ажыратыңыз. *Мундай сақтық шаралары механикалық құралдың кездейсоқ іске қосылу қаупін азайтады.*
- d. Бос жүріс механикалық құралдарды балалардың қолы жетпейтін жерде сақтаңыз және механикалық құрал немесе осы нұсқаулармен таныс емес адамға механикалық құралды пайдалануға рұқсат бермеңіз. *Механикалық құралдар жаттықтырылмаған пайдаланушылар қолында қауіпті.*
- e. Механикалық құралдарға техникалық қызмет көрсетіңіз. Жылжымалы бөлшектердің қисаюын немесе шатасуын, бөлшектердің бұзылуын және механикалық құралдардың жұмысына әсер етуі мүмкін барлық жағдайды тексеріңіз. Зақым бар болса, механикалық құралды пайдаланбастан бұрын жөндеңіз. *Көптеген оқыс оқиғалар механикалық құралдарға дұрыс емес техникалық қызмет көрсету салдарынан орын алады.*
- f. Кескіш құралдарды өткір және таза күйде ұстаңыз. *Тиісті түрде техникалық қызмет көрсетілген шеттері өткір кескіш құралдар бұгөліп қалмайды және оларды басқару оңай.*
- g. Жұмыс жағдайларын және орындау қажет жұмысты назарға ала отырып, механикалық құралды, аксессуарларды және алмалы-салмалы кескішті және т. б. осы нұсқауларға сәйкес пайдаланыңыз. *Механикалық құралды мақсатты пайдаланудан басқаша пайдаланғанда қауіпті жағдай орын алуы мүмкін.*

ҚИЗМЕТ КӨРСЕТУ

- a. Қуат құрылғысын тек идентификациялық қосалқы бөлшектер пайдаланатын білікті жөндеу бойынша маманға қызмет көрсетуіне тапсырыңыз. *Бұл механикалық құрал қауіпсіздігінің сақталуын қамтамасыз етеді.*

БАРЛЫҚ ЖҰМЫСТАРҒА АРНАЛҒАН ҚАУІПСІЗДІК НҰСҚАУЛАРЫ

ТЕГІСТЕУ, ҚҰММЕН ТЕГІСТЕУ, СЫМ ҚЫЛШАҚПЕН ТАЗАЛАУ, ЖЫЛТЫРАТУ, ЖОНУ НЕМЕСЕ ЫСҚЫШ ОЮ ЖҰМЫСТАРЫ ҮШІН ОРТАҚ ҚАУІПСІЗДІК ЕСКЕРТУЛЕРІ

- a. Бұл механикалық құрал тегістеу аспабы, құммен тегістеу құралы, сым қылшақ, жылтырату аспабы, жону немесе ою құралы сияқты жұмыс істеуге арналған. Осы механикалық құралмен бірге берілген барлық ескертулер, нұсқаулар, суреттер және сипаттамаларды оқыңыз. Төменде көрсетілген барлық нұсқауларды орындамау салдарынан электр тогының соғуы, өрт және/немесе ауыр жарақат орын алуы мүмкін.
- b. Арнайы жасалмаған және құрал өндірушісі арқылы ұсынылмаған аксессуарларды пайдаланбаңыз. *Аксессуарды тек қуат құрылғысына бекітуге болғандықтан ол қауіпсіз жұмыс істеуіне кепілдік бермейді.*
- c. Тегістеу аксессуарларының номиналды жылдамдығы кемінде механикалық құралды белгіленген максималды жылдамдыққа тең болуы қажет. *Өздерінің номиналды жылдамдығынан жоғары жылдамдықта жұмыс істейтін тегістеу аксессуарлары бұзылып, ұшып кетуі мүмкін.*
- d. Аксессуардың сыртқы диаметрі мен қалыңдығы механикалық құралдың қуат есебі ауқымында болуы қажет. *Өлшемі дұрыс емес аксессуарларды дұрыс басқару мүмкін емес.*
- e. Дөңгелектер, құммен тегістеу барабандары немесе кез келген басқа аксессуарлар білігінің өлшемі механикалық құралдың шпинделі немесе цаңгасымен сәйкес келуі қажет. *Механикалық құралдың бекіту құралдарына сәйкес келмейтін аксессуарлар тепе-теңдіктен шығып, қатты біріндеуі және басқаруды жоғалтуға әкелуі мүмкін.*
- f. Жақтауға орнатылған дөңгелектер, құммен тегістеу барабандары, кескіштер немесе басқа аксессуарлар цаңга немесе патронға толығымен енгізілуі қажет. *Жақтау жеткіліксіз бекітілсе және/немесе дөңгелек қатты шығып тұрса, анықталған дөңгелек боса, жоғары жылдамдықта шығып кетуі мүмкін.*
- g. Зақымдалған аксессуарды пайдаланбаңыз. *Өр пайдалану алдында ысқыш дөңгелек сияқты аксессуардың сынуын және сызат түсуін, құммен тазалау барабанының жарылуын, сынуын немесе тозуын, сым қылшақтың босауын немесе сымдардың сынуын тексеріңіз. Механикалық құрал немесе аксессуар жерге құласа, зақымдалуын тексеріңіз немесе зақымдалмаған аксессуар орнатыңыз. Аксессуарды тексеріп, орнатқаннан кейін, айналатын аксессуар жазықтығынан өзіңіз және айналадағы адамдар алшақ тұруы қажет, содан кейін механикалық құралды жүктемесіз максималды жылдамдыққа бір минут ішінде іске қосыңыз. *Зақымдалған аксессуарлар осы сынақ кезінде сынып қалады.**
- h. Жеке қорғаныс жабдығын киіңіз. Қолданысқа байланысты қорғаныс масканы және қорғаныс көзділдігің киіңіз. Сәйкесінше шаңнан қорғайтын маска, өсту мүшесін қорғайтын бұйым, қолғап және ұсақ ысу немесе өңдеу сынықтарынан қорғайтын алжапыңсы киіңіз. *Көзді қорғау бұйымы әртүрлі жұмыстардан пайда болатын қалдықтардың ұшуынан қорғай алатын болуы қажет. Шаңнан қорғайтын маска немесе респиратор жұмыстан пайда болатын бөлшектерді сүзе алуы қажет. Ұзақ уақыт жоғары қарқындылықтағы шу әсері есту қабілетін жоғалтуға әкелуі мүмкін.*
- i. Айналадағы адамдар жұмыс аймағынан қауіпсіз қашықтықта тұруы қажет. Жұмыс аймағына кіретін кез келген адам жеке қорғаныс жабдығын киюі тиіс. *Өңдеу немесе сынған аксессуар сынықтары ұшып, жұмыс аймағына жақын жерде жарақат келтіруі мүмкін.*
- j. Кескіш аксессуар жасырын сымға немесе өзіңіз сымына тиіп кетуі мүмкін болған жұмысты орындау барысында механикалық құралды тек оқшауланған қысқышпен ұстаңыз. *Қысым үстіндегі сымға тиетін кескіш аксессуар механикалық құралдың ашық металл бөлшектеріне қысым өткізуі және операторға электр тогының соғуы мүмкін.*
- k. Іске қосқан кезде әрқашан құралды (екі) қолыңызбен мықтап ұстаңыз. *Мотордың реактивті айналдыру моменті ұстақ жылдамдыққа дейін артқан кезде құралдың айналуына әкелуі мүмкін.*
- l. Қолайлы кезде өңдейтін бөлшекті тіреу үшін қысқыштарды пайдаланыңыз. Қолданыс кезінде кіші өңдейтін бөлшекті бір қолыңызбен, құралды екінші қолыңызбен ешқашан ұстамаңыз. *Кіші өңдейтін бөлшекті қысқанда құралды (екі) қолыңызбен басқара аласыз. Істіктер, құбырлар немесе түтік сияқты дөңгелек материалды кескен кезде айналады және кескіштің қисаюы немесе сізге қарай ұшып кетуі мүмкін.*
- m. Сымды айналатын аксессуардан алшақ орнатыңыз. *Басқаруды жоғалтсаңыз, сым үзіліп немесе ілініп, қолыңыз айналып жатқан аксессуарға тартылуы мүмкін.*
- n. Аксессуар толығымен тоқтамағанша механикалық құралды қоймаңыз. *Айналатын аксессуар беткейге тиіп, механикалық құралды тартып кетсе, оны басқарудан жоғалтуыңыз мүмкін.*
- o. Кескіштерді ауыстырғаннан кейін немесе кез келген реттеу әрекетін орындағаннан кейін цаңга гайкасы, патрон немесе кез келген басқа реттеу құрылғылары мықтап бекітілгеніне көз жеткізіңіз. *Босап қалған*

реттеу құрылғылары кездейсоқ жылжып, басқаруды жоғалтуға, босап қалған айналатын құрамдастар қатты ұшып кетуіне өкелуі мүмкін.

- p. **Механикалық құралды өз жағыңызда тасымалдаған кезде, оны іске қоспаңыз.** Айналып тұрған аксессуарларға кездейсоқ тиіп кеткенде киіміңізді іліп, аксессуарды дөңгелекке тартуы мүмкін.
- q. **Механикалық құралдың ауа желдеткіштерін үнемі тазалап отырыңыз.** Мотор желдеткіші корпус ішінде шаң жинайды және ұнтақталған металдың көп жиналуы электр тогына қатысты оқыс оқиғалардың орын алуына өкелуі мүмкін.
- r. **Механикалық құралды тұтаныш материалдар қасында пайдаланбаңыз.** Ұшындар осы материалдарды тұтандыруы мүмкін.
- s. **Сұйық салқындатқыштарды қажет ететін аксессуарларды пайдаланбаңыз.** Су немесе басқа сұйық салқындатқыштарды пайдаланғанда электр тогының соғуы мүмкін.

СЕРПУ ЖӘНЕ ОҒАН ҚАТЫСТЫ ЕСКЕРТУЛЕР

Серпу - қысылған немесе ілініп қалған айналмалы дөңгелек, күммен тегістеу таспасы, қылшақ немесе кез келген басқа аксессуардың кенет реакциясы. Қысу немесе сыдыру айналып тұрған аксессуардың жылдам құлауына өкеледі ал бұл бақылаусыз механикалық құралдың аксессуар бұрылысына қарсы бағытта күш салуына өкеледі. Мысалы, ысқыш дөңгелек ілінсе немесе өңдеу бөлшегіне қысылып қалса, қысылатын орына кіретін дөңгелектің шеті материалдың беткі жағына кіріп, дөңгелектің шығып кетуіне немесе ұрып сынуына өкелуі мүмкін. Қысу нүктесіндегі дөңгелек қозғалысының бағытына байланысты дөңгелек операторға қарай немесе керісінше ұшып кетуі мүмкін. Сондай-ақ, мұндай жағдайда ысқыш дөңгелектер сынуы мүмкін.

Серпу - механикалық құралды дұрыс емес пайдалану және/немесе дұрыс емес басқару процедураларының не жағдайларының нәтижесі және төменде берілген тиісті сақтық шараларын орындау арқылы оның алдын алуға болады.

- a. **Механикалық құралды мықтап ұстаңыз және серпу күштерін қарсы тұру үшін дөңгелектің бөк қолыңызды қойыңыз.** Тиісті сақтық шаралар қабылданған болса, оператор серпу күштерін басқара алады.
- b. **Бұрыштарды, өткір шеттерді және т. б. өңдеген кезде мұқият күтім көрсетіңіз.** Аксессуардың ұшып кетуін және сыдыруын болдырмаңыз. Бұрыштар, өткір шеттер немесе ұшалтын бөлшектер айналатын аксессуарды ұстап, басқару немесе серпу мүмкіндігін жоғалтады.
- c. **Тісті араны бекітпеңіз.** Мұндай жүздер жиі серпіліп, басқаруды жоғалтады.
- d. **Әрқашан кескішті кесілетін жер материалдан (үгінді лақтырылған бағытпен бірдей) шығатын бір бағыттағы материалға салыңыз.** Құралды дұрыс емес бағытта салғанда кескіштің кесетін жері жұмыс аймағынан шығып, құралды осы арна бағытына тартады.
- e. **Айналатын роторлық картотекалық егеулер, ою дөңгелектері, жоғары жылдамдықты кескіштер немесе вольфрам қатты қорытпа фрезаларын пайдаланған кезде, әрқашан жұмысты мықтап бекітіңіз.** Осы дөңгелектер ойықта ақырын еңкейтпесе, ұсталады және серпіле алады. Ою дөңгелегі ұсталған кезде, дөңгелек әдетте сынады. Айналатын роторлық картотекалық егеу, жоғары жылдамдықты кескіш немесе вольфрам қатты қорытпа фрезалары ұсталған кезде, ойықтан ұшып, құралды басқарудан жоғалтуыңыз мүмкін.

ТЕГІСТЕУ ЖӘНЕ ЫСҚЫШ ОЮ ЖҰМЫСТАРЫНА АРНАЛҒАН ҚАҰПСІЗДІК ЕСКЕРТУЛЕРІ

- a. **Механикалық құрал және қолданыстар алдын ұсынылған дөңгелек түрлерін ғана пайдаланыңыз.**

Мысалы: ою дөңгелегінің шетімен тегістеменіз.

Ысқыш ою дөңгелектері перифериялық тегістеуге арналған, осы дөңгелектерге қолданылған бүйірлік күштер оларды сындыруы мүмкін.

- b. **Ойылған ысқыш конустар мен тығындар үшін өлшем мен ұзындығы дұрыс фланецті босатылмаған зақымсыз дөңгелек жақтауларын пайдаланыңыз.** Дұрыс жақтаулар бұзылу қаупін азайтады.
- c. **Ою дөңгелегін қажамаңыз немесе шамадан тыс қысым қолданбаңыз.** Шамадан тыс терең ойық оюға әрекет жасамаңыз. Дөңгелекке шамадан тыс қысым түсіргенде кесілген жердегі дөңгелекке жүктеме түсіру және айналу немесе іліну қабілетіне серпу немесе дөңгелектің сыну мүмкіндігі артады.
- d. **Қолыңызды айналып жатқан дөңгелек қасына немесе артына қоймаңыз.** Аспаптың кескіш бөлігіндегі дөңгелек қолыңыздан әрі қарай жылжыған кезде, ықтимал серпу әрекеті айналмалы дөңгелек пен механикалық құралды тікелей сізге қарай итеріу мүмкін.
- e. **Дөңгелек қысылып, ілініп қалған кезде немесе кез келген себеппен кесу әрекетін тоқтатқан кезде, дөңгелек толығымен тоқтағанша механикалық құралды өшіріп, механикалық құралды қозғалтпай ұстап тұрыңыз.** Дөңгелек қозғалыста кезде ою дөңгелегін кесілген жерден алып тастауға ешқашан әрекет жасамаңыз, әйтпесе серпу орын алуы мүмкін. Дөңгелектің қысылуы немесе іліну себебі жою үшін зерттеп, түзету әрекетін орындаңыз.
- f. **Өңдеу бөлшегінде кесу әрекетін қайта бастамаңыз.** Дөңгелекке толық жылдамдық жетуіне мүмкіндік беріңіз және кесілген жерге қайта кіргізіңіз. Механикалық құрал өңдеу бөлшегінде қайта іске қосылса, дөңгелек қисаюы, жүріп кетуі немесе серпілуі мүмкін.
- g. **Дөңгелектің қысылу немесе серпілу қаупін азайту үшін панельдер немесе кез келген өлшемі үлкейтілген өңдеу бөлшегін тіреңіз.** Үлкен өңдеу бөлшектері өз салмағына байланысты еңкеюі мүмкін. Тіректерді дөңгелектің екі жағындағы кесу орнының қасындағы және өңдеу бөлшегінің шетіне жақын өңдеу бөлшегінің астына жылжыту керек.
- h. **Бар қабырғалар немесе басқа тыныш жерлерге "қалта кесігін" жасаған кезде аса сақ болыңыз.** Шығып тұрған дөңгелек кезде немесе су құбырларын, электрлік сымды немесе серпілуге өкелуі мүмкін нысандарды кесіп кетуі мүмкін.

СЫМ ҚЫЛШАҚПЕН ТАЗАЛАУ ЖҰМЫСТАРЫНА АРНАЛҒАН ҚАҰПСІЗДІК ЕСКЕРТУЛЕРІ

- a. **Қылшақ сым қылдарын кәдімгі жұмыс кезінде де лақтыратынын есте сақтаңыз.** Қылшаққа шамадан тыс жүктеме қолдану арқылы сымдарға шамадан тыс қысым түсірмеңіз. Сым қылдар жеңіл киімге және/немесе теріге оңай кіріп кетуі мүмкін.
- b. **Қылшақтарды пайдаланбас бұрын жұмыс жылдамдығында кемінде бір минут жұмыс істеуіне мүмкіндік беріңіз.** Осы уақытта ешкім қылшақ алдында немесе қасында тұрмауы керек. Қылдарды немесе сымдарды босатсаңыз, іске қосқан кезде шығарылады.
- c. **Айналып жатқан сым қылшақтың босауын өзіңізден әрі қарай бағыттаңыз.** Осы қылшақтарды пайдаланған кезде кішкентай бөлшектер мен сымын ұсақ сынықтары жоғары жылдамдықпен ұшып, теріңізге кіріп кетуі мүмкін.
- d. **Сым қылшақтарды пайдаланған кезде жылдамдықты 15 000 айн/мин шамасынан арттырмаңыз.**



НАЗАР АУДАРЫҢЫЗ

ҚҰРАМЫНДА АСБЕСТ БАР МАТЕРИАЛДАРМЕН ЖҰМЫС ІСТЕМЕҢІЗ (АСБЕСТ КАНЦЕРОГЕНДІ ДЕП

ЕСЕПТЕЛЕДІ).



ЖҰМЫС КЕЗІНДЕ ШАҢ ДЕНСАУЛЫҚҚА ҚАУІП ТӨНДІРУІ, ТҰТАНУ НЕМЕСЕ ЖАРЫЛЫСҚА ӘКЕЛУІ МҮМКІН КЕЗДЕ САҚТЫҚ ШАРАЛАРЫН ҚАБЫЛДАҒЫЗ (КЕЙБІР ШАҢ ТҮРЛЕРІ КАНЦЕРОГЕНДІ ДЕП ЕСЕПТЕЛЕДІ); ШАҢНАН ҚОРҒАЙТЫН МАСКАНЫ КИІП, ШАҢДЫ/ҮГІНДІНІ ТARTУ ЖАБДЫҒЫ ЖАЛҒАНҒАН КЕЗДЕ ЖҰМЫС ІСТЕҢІЗ.

ҚОРШАҒАН ОРТА

ҚОҚЫСҚА ТАСТАУ

Құрылғы, аксессуарлар және қаптама қоршаған ортаға зиянсыз қайта өңдеу үшін сұрыпталуы керек.

ТЕК ЕУРОПАЛЫҚ ҚОҒАМ МЕМЛЕКЕТТЕРІ ҮШІН



Механикалық құралдарды тұрмыстық қоқыспен бірге тастамаңыз! Электрлік және электрондық жабдықтар қалдығы үшін 2012/19/ЕС Еуропа нұсқаулығы мен оның ұлттық заңға жүзеге асуына сәйкес ендігері пайдаланылмайтын механикалық құралдарды бөлек жинап, қоршаған ортаға зиянсыз жолмен қоқысқа тастау қажет.

Сәйкестік сертификаты туралы ақпарат осы нұсқаулықтың ең соңғы бетінде орналасқан.

СИПАТТАМАЛАР

ЖАЛПЫ СИПАТТАМАЛАР

	200	3000	4000	4200
Номиналды қуат (Вт)	125	130	175	175
Номиналды кернеу	230-240 В, 50 Гц	230 В, 50 Гц	230-240 В, 50-60 Гц	220-240 В, 50-60 Гц
Цанга сыйымдылығы	0,8 мм, 1,6 мм, 2,4 мм, 3,2 мм			
Номиналды жылдамдық (п)	35 000 айн/мин	33 000 айн/мин	35 000 айн/мин	33 000 айн/мин
II класс құрылысы	Қос оқшауланған құрылыс құралдары			

ҰЗАРТҚЫШ СЫМДАР

Толығымен тарқатылған және 5 А сыйымдылықтағы қауіпсіз ұзартқыш сымдарын пайдаланыңыз.

МОТОР СИПАТТАМАЛАРЫ

Тек 3000

Бұл көп функциялы құрал әртүрлі жоғары жылдамдықтағы моторды пайдаланады. Оның сым жүйесі 230 В, 50 Гц шамасында жұмыс істеуге арналған. Әрқашан кернеу көзі құралдың төлқұжат тақтайшасында көрсетілген кернеумен бірдей екенін тексеріңіз.

ЖИНАҚТАУ

АКСЕССУАРЛАРДЫ, ЦАНГАЛАРДЫ АУЫСТЫРМАС БҰРЫН ЖӘНЕ ҚҰРАЛҒА ҚЫЗМЕТ КӨРСЕТПЕС БҰРЫН КӨП ФУНКЦИЯЛЫ ҚҰРАЛДЫ ӘРҚАШАН АЖЫРАТЫҢЫЗ.

ЖАЛПЫ

Dremel көп функциялы құралы - аса дәлдікті қажет ететін және күрделі жұмыстарды орындауға арналған дәлдігі жоғары құрал. Кең ауқымды Dremel аксессуарлары мен тіркемелері алуан түрлі жұмыстарды орындауға мүмкіндік береді. Оған тегістеу, жону, ою, бүрсі пішін салу, тазалау және жылтырату сияқты жұмыстар жатады.

СУРЕТ: 2-5

- | | |
|---|-----------------------------|
| A. Цанга гайкасы | EZ туралы ақпарат |
| B. Цанга | Тек 4200 |
| C. Корпус қақпағы немесе EZ Twist™ біріктірілген сомынды бұрайтын кілті/алдыңғы қақпағы | L. EZ ауыстыру иіптіректері |
| D. Білік құлпының түймесі | M. EZ ауыстыру патроны |
| E. Қосқыш | |
| F. Ілгіш | |
| G. Қуат сымы | |
| H. Қылшақ қақпағы | |
| I. Желдету саңылаулары | |
| J. Өзгермелі жылдамдықты теру | |
| K. Цанганың сомынды бұрайтын кілті | |

ЦАНГАЛАР

Dremel аксессуарлары әртүрлі артқы ілмек өлшемдерімен қоса көп функциялы құрал үшін қолжетімді. Әртүрлі артқы ілмек өлшемдерін сәйкестендіру үшін төрт өлшемді цангалар қолжетімді. Цанга өлшемдері цанганың артқы жағындағы сақиналар арқылы анықталады.

6-СУРЕТ

- A. Цанга гайкасы
 N. 3,2 мм сақинасы жоқ цанга (480)
 O. 2,4 мм үш сақинасы бар цанга (481)
 P. 1,6 мм екі сақинасы бар цанга (482)
 Q. 0,8 мм бір сақинасы бар цанга (483)
 R. Идентификациялық сақиналар
- ЕСКЕРТПЕ:** Кейбір көп функциялы құрал жинақтарында цанганың барлық төрт өлшемі болмауы мүмкін. Цангалар бөлек қолжетімді.

Пайдалануды жоспарлап жатқан аксессуардың артқы ілмегінің өлшемімен сәйкес келетін цанганы пайдаланыңыз. Диаметрі үлкен артқы ілмекті кіші цангаға күштемеңіз.

ЦАНГАЛАРДЫ АУЫСТЫРУ

7-СУРЕТ (200)
 11-СУРЕТ (3000/4000)
 19-СУРЕТ (4200)

- A. Цанга гайкасы
 C. Корпус қақпағы (EZ Twist™)
 D. Білік құлпының түймесі
 K. Цанганың сомынды бұрайтын кілті
 S. Босату үшін
 T. Бекіту үшін

1. Білік құлпының түймесін басып, білік құлыпқа қосылғанша ұстаңыз да, қолыңызбен айналдырыңыз. Көп функциялы құрал іске қосулы кезде білік құлпының түймесін қоспаңыз.
2. Білік құлпының түймесі қосулы кезде, цанга гайкасын босатып, алып тастаңыз. Қажет болса, цанганың сомынды бұрайтын кілтін пайдаланыңыз.
3. Цанганы біліктен тарту арқылы алып тастаңыз.
4. Сәйкес өлшемді цанганы толығымен білікке орнатыңыз және саусақпен бекітілген цанга гайкасын қайта орнатыңыз. Кескіш немесе аксессуар орнатылмаған кезде гайканы толығымен бекітпеңіз.

АКЦЕССУАРЛАРДЫ АУЫСТЫРУ

8-СУРЕТ

1. Білік құлпының түймесін басып, білік құлыпқа қосылғанша қолыңызбен айналдырыңыз. Көп функциялы құрал іске қосулы кезде білік құлпының түймесін қоспаңыз.
2. Білік құлпының түймесі қосулы кезде, цаңга гайкасын босатыңыз (алып тастамаңыз). Қажет болса, цаңганың сомынды бұрайтын кілтін пайдаланыңыз.
3. Кескіш немесе аксессуардың артқы ілмегін толығымен цаңга енгізіңіз.
4. Білік құлпының түймесі қосулы кезде, кескіш немесе аксессуардың артқы ілмегі цаңга тірелмегенше цаңга гайкасын саусағыңызбен бекітіңіз.
ЕСКЕРТПЕ: Dremel аксессуарын пайдалану туралы қосымша ақпарат алу үшін бірге берілген нұсқауларды міндетті түрде оқыңыз.

Dremel арқылы тексерілген, өнімділігі жоғары аксессуарларды ғана пайдаланыңыз.

EZ TWIST™ БІРІКТІРІЛГЕН СОМЫНДЫ БҰРАЙТЫН КІЛТІ/АЛДЫҒЫ ҚАҚПАҒЫ

Тек 3000 және 4000

11-СУРЕТ

- C. EZ Twist™ біріктірілген сомынды бұрайтын кілті/алдыңғы қақпағы

Осы алдыңғы қақпақтың стандартты сомынды бұрайтын кілтін пайдаланбай, цаңга гайкасын босатуға және бекітуге мүмкіндік беретін біріктірілген сомынды бұрайтын кілті бар.

1. Алдыңғы қақпақты құралдан босатып, қақпақтың ішіндегі болат ендірмені цаңга гайкасымен теңестіріңіз.
2. Білік құлпы қосулы күйде цаңга гайкасын босату үшін алдыңғы қақпақты сағат бағытына қарсы бұрыңыз. Көп функциялы құрал іске қосулы кезде білік құлпының түймесін қоспаңыз.
3. Кескіш немесе аксессуардың артқы ілмегін толығымен цаңга енгізіңіз.
4. Білік құлпы қосулы күйде цаңга гайкасын бекіту үшін алдыңғы қақпақты сағат бағытымен бұрыңыз.
5. Алдыңғы қақпақты бастапқы орнына қайта бұрыңыз.
ЕСКЕРТПЕ: Dremel аксессуарын пайдалану туралы қосымша ақпарат алу үшін бірге берілген нұсқауларды міндетті түрде оқыңыз.

Dremel арқылы тексерілген, өнімділігі жоғары аксессуарларды ғана пайдаланыңыз.

АКЦЕССУАРЛАРДЫ ТЕҢЕСТІРУ

Дәлдеп өңдеу үшін барлық аксессуарлар теңестірілген болуы маңызды (автокөліктегі шиналар сияқты). Аксессуарды реттеу немесе теңестіру үшін цаңга гайкасын ақырын босатып, аксессуар немесе цаңганы 1/4 айналымға бұрыңыз. Цаңга гайкасын қайта бекітіп, айналымды құралды іске қосыңыз. Аксессуар теңестіріліп жұмыс істеп жатқанын дыбыс және сезу арқылы айта алатындай болу керек. Үздік тепе-теңдікке жеткенше осы күйде реттеуді жалғастыра беріңіз.

ТІРКЕМЕЛЕРДІ ПАЙДАЛАНУ

Dremel өнімі құралдың функционалдығын арттыруы мүмкін өртүрлі тіркемелермен жабдықталған болуы мүмкін.

ЕСКЕРТПЕ

Төменде көрсетілген барлық тіркемелер жабдықта берілмеген. Dremel арқылы тексерілген, өнімділігі жоғары тіркемелерді ғана пайдаланыңыз! Тіркемелерді Dremel қызмет көрсету орталығы арқылы тапсырыс беруге болады немесе тіркеме мен аксессуар үйлесімділігі үшін www.dremel.com сайтына өтіңіз.

1. Дәл, мұқият жұмыс немесе қол жеткізу қиын жерлер үшін икемді білікті (225) пайдаланыңыз. 7-БЕТТІ ҚАРАҢЫЗ.

ЕСКЕРТПЕ

Оңталай жұмыс үшін пайдаланбас бұрын жаңа икемді білікке көп функциялы құралдағы жоғары жылдамдықпен тік күйде 2 минутқа жұмыс істеуіне мүмкіндік беріңіз.

2. Нақ 90 және 45 градус бұрыштарда тегістеу және күммен тегістеу үшін Dremel пішіндеу платформасын (576) пайдаланыңыз. 9-БЕТТІ ҚАРАҢЫЗ.
3. Көп функциялы құралды жақсы басқару үшін Dremel техник-жобалаушы қысқышын (577) пайдаланыңыз. 8-БЕТТІ ҚАРАҢЫЗ.
4. Өртүрлі материалдарда бақыланатын кесу үшін өмбебап кесу жинағын (565/566) пайдаланыңыз. 10-БЕТТІ ҚАРАҢЫЗ.
5. Қабырға мен еденнің плиткалары арасындағы сұйық ерітіндіні тазалау үшін қабырға және еденнің сұйық ерітіндісін тазалау жинағын (568) пайдаланыңыз. 11-БЕТТІ ҚАРАҢЫЗ.
6. Дәл саңылаулар тесу және түзу етіп кесу үшін сызық және шеңбер кескішті (678) пайдаланыңыз. 12-БЕТТІ ҚАРАҢЫЗ.
7. Тік бұрышта қол жеткізу қиын жерлерде аксессуарларды пайдалану үшін тік бұрыш тіркемесін (575) пайдаланыңыз. 13-БЕТТІ ҚАРАҢЫЗ.
8. Шан және ұшқындардан қорғану үшін ыңғайлы қорғаушы тіркемесін пайдаланыңыз. 14-БЕТТІ ҚАРАҢЫЗ.

ЖҰМЫСҚА КІРІСУ

ПАЙДАЛАНУ

Көп функциялы құралды пайдалану бойынша бірінші қадам - оны "сезу". Қолыңызда ұстап, оның салмағы мен тепе-теңдігін сезініңіз. Корпус конусын сезініңіз. Бұл конус құралға қалам немесе қарындаш сияқты ұсталуына мүмкіндік береді. *Әрқашан құралды бетіңізден алшақ ұстаңыз. Аксессуарлары өңдеген кезде зақымдалуы және жылдамдыққа жеткендіктен ұшып кетуі мүмкін. Құралды ұстаған кезде, желдету саңылауларын қолыңызбен жаппаңыз. Желдету саңылауларын жапқан кезде мотор қалпы қызып кетуі мүмкін.* МАҢЫЗДЫ! Құрал жоғары жылдамдықта қалай жұмыс істейтінін көру үшін алдымен материал қиындыларында қолданып көріңіз. Дұрыс Dremel аксессуары және тіркемесімен бірге жылдамдыққа жұмысты сіз үшін жасауға мүмкіндік беру арқылы көп функциялы құрал жақсы жұмыс істейтінін есте сақтаңыз. Құралды пайдаланған кезде мүмкіндігінше қысым түсірмеуге тырысыңыз. Мұның орнына айналмалы аксессуарды жұмыс бетіне ақырындап төмендетіңіз де, бастағыңыз келетін жерге тиюіне мүмкіндік беріңіз. Жұмыс үстіңде қолыңызбен жай ғана қысу арқылы құралды бағыттауға зейін қойыңыз. Аксессуарға жұмысты жасауына мүмкіндік беріңіз.

Бүкіл жұмысты бір рет етіп жасағанға қарағанда құралмен бірнеше рет өткен дұрыс. Ақырын тигенде жақсы басқара аласыз және қате жасау мүмкіндігі азаяды.

ҚҰРАЛДЫ ҰСТАУ

Жақын жұмыста жақсы басқару үшін көп функциялы құралды қарындаш сияқты бас және сұқ сауғағыңызбен ұстаңыз.

13-СУРЕТ

"Гольф" ұстау әдісі тегістеу немесе кесу сияқты ауыр жұмыстар үшін пайдаланылады. 14-СУРЕТ

ЖҰМЫС ЖЫЛДАМДЫҚТАРЫ

Әр жұмыс үшін дұрыс жылдамдықты таңдау үшін материалдың үлгі бөлігін пайдаланыңыз.

ҚОСҚЫШТЫ СЫРҒЫТУ

Мотор корпусының жоғарғы жағында орналасқан қосқышты сырғыту арқылы құрал "ҚОСУЛЫ" күйіне сырғытылады. ҚҰРАЛДЫ "ҚОСУЛЫ" КҮЙІНЕ ОРНАТУ ҮШІН, қосқыш түймесін алға қарай сырғытыңыз. ҚҰРАЛДЫ "ӘШІРУЛІ" КҮЙІНЕ ОРНАТУ ҮШІН, қосқыш түймесін артқа қарай сырғытыңыз.

ЖОҒАРЫ ӨНІМДІЛІКТЕГІ МОТОР

Құрал жоғары өнімділіктегі айналмалы құрал моторымен жабдықталған. Бұл мотор қосымша Dremel тіркемелерін басқару арқылы айналмалы құралдың өзгерістігін арттырады.

ЭЛЕКТРОНДЫ КЕРІ БАЙЛАНЫС

Құрал жоғары айналу моментінің басталуынан пайда болатын қысымдарды кеміту арқылы "бірқалыпты іске қосу" мүмкіндігімен қамтамасыз ететін ішкі электронды кері байланыс жүйесімен жабдықталған. Сондай-ақ, жүйе алдын ала таңдалған жылдамдықты жүктемесіз және жүктеме бар жағдайлар арасында іс жүзінде тұрақты сақтауға көмектеседі.

ӨЗГЕРМЕЛІ ЖЫЛДАМДЫҚТЫ ТЕРУ

Құрал өзгермелі жылдамдық теру құрылғысымен жабдықталған. Жұмыс кезінде теру құрылғысын алдын ала қосу арқылы немесе параметрлердің кез келгені арасында жылдамдықты реттеуге болады.

Айналмалы құрал жылдамдығы осы теру құрылғысын корпусқа орнату арқылы басқарылады. 12-СҮРЕТ

Шамалас ажыратымдылықтар үшін параметрлер

200 үлгісі	
Қосқыш параметрлері	Жылдамдық ауқымы (айн/мин)
Төмен	15 000
Жоғары	35 000
3000 үлгісі	
Қосқыш параметрлері	Жылдамдық ауқымы (айн/мин)
1-2	10 000-14 000
3-4	15 000-19 000
5-6	20 000-23 000
7-8	24 000-28 000
9-10	29 000-33 000
4000 және 4200 үлгісі	
Қосқыш параметрлері	Жылдамдық ауқымы (айн/мин)
5	5 000
10	10 000
*15	15 000
20	20 000
25	25 000
30	30 000
33 (тек 4000)	33 000
35 (тек 4200)	35 000

* Сым қылшақтарды пайдаланған кезде жылдамдықты 15 000 айн/мин шамасынан арттырмаңыз.

Өңделіп жатқан материал және пайдалану қажет аксессуар үшін дұрыс жылдамдықты анықтау мақсатында 4-7 беттердегі жылдамдық параметрлері кестесіне қараңыз.

Көптеген жұмыстарды ең жоғары параметрдегі құралды пайдалану арқылы орындауға болады. Дегенмен, белгілі бір материалдар (кейбір пластиктер және металдар) жоғары жылдамдық арқылы бөлінетін жылудан зақымдалуы

мүмкін және салыстырмалы түрде төмен жылдамдықтарда жұмыс істеуі керек. Төмен жылдамдықта жұмыс істегенде (15 000 айн/мин немесе одан аз) киізбен жылтырату аксессуарларын пайдалану арқылы жылтырату жұмыстары үшін сәйкес келеді. Ұстағыштан сымның шығып кетуін болдырмау үшін барлық қылшақпен тазалау әрекеттері үшін төмен жылдамдықтар қажет. Төмен жылдамдық параметрлерін пайдаланған кезде құрал өнімділігіне жұмысты сіз үшін жасауына мүмкіндік беріңіз. Жоғары жылдамдықтар қатты ағаштар, металдар үшін және тесу, жону, кесу, бұрыс пішін салу және пішіндеу үшін жұмыс жасау кезінде тиімді.

Құрал жылдамдығына қатысты кейбір нұсқаулықтар:

- Төмен температураларда балқытын пластик және басқа материалдарды төмен жылдамдықтарда кесу керек.
- Қылшақ және материалды зақымдамау үшін жылтырату, тегістеу және сым қылшақпен тазалау әрекеттерін 15 000 айн/мин шамасынан жоғары емес жылдамдықта орындау қажет.
- Ағашты жоғары жылдамдықта кесу керек.
- Темір немесе болатын жоғары жылдамдықта кесу керек.
- Жоғары жылдамдықта болат кескіш дірілдей бастаса, әдетте бұл құралдың тым баяу жұмыс істеп жатқанын білдіреді.
- Орындалатын кесу әрекетіне байланысты алюминий, мыс құйындысы, қорғасын құйындысы, мырыш құйындысы және қалайыны әртүрлі жылдамдықта кесуге болады. Кесу материалының кескіш тістеріне жабысуын болдырмау үшін кескіше парафин (су емес) немесе басқа сәйкес майды пайдаланыңыз.

ЕСКЕРТПЕ: Құрал дұрыс жұмыс істемей жатқанда қысымды көтеруге болмайды. Қажетті нәтижеге қол жеткізу үшін басқа аксессуар немесе жылдамдық параметрін пайдаланып көріңіз.

ТЕХНИКАЛЫҚ ҚЫЗМЕТ КӨРСЕТУ ЖӘНЕ ЖӨНДЕУ

▲ НАЗАР АУДАРЫҢЫЗ ҚАНДАЙ ДА РЕТТЕУ ӘРЕКЕТТЕРІН ОРЫНДАУ, АКСЕССУАРЛАРДЫ АУЫСТЫРУ, ҚЫЗМЕТ КӨРСЕТУ, ТАЗАЛАУ ЖӘНЕ Т. Б. АЛДЫНДА ӨРҚАШАН ҚҰРАЛДЫ ҚУАТ КӨЗІНЕН АЖЫРАТЫҢЫЗ. БҰЛ ҚҰРАЛДЫҢ КЕНЕТ ІСКЕ ҚОСЫЛУ ҚАҰПІН АЗАЙТАДЫ.

▲ НАЗАР АУДАРЫҢЫЗ ҚУАТ ҚҰРЫЛҒЫСЫН ТЕК ИДЕНТИФИКАЦИЯЛЫҚ ҚОСАЛҚЫ БӨЛШЕКТЕР ПАЙДАЛАНАТЫН БІЛКІТІ ЖӨНДЕУ БОЙЫНША МАМАҢҒА ҚЫЗМЕТ КӨРСЕТУІНЕ ТАПСЫРЫҢЫЗ. ҚҰРАЛҒА ҚЫЗМЕТ КӨРСЕТУ ЖҰМЫСТАРЫНЫҢ БАРЛЫҒЫ DREMEL ҚЫЗМЕТ КӨРСЕТУ ОРТАЛЫҒЫ АРҚЫЛЫ ОРЫНДАЛУЫНА КЕҢЕС БЕРЕМІЗ. БҰЛ ҚҰРАЛ ҚАУІПСІЗДІГІНІҢ САҚТАЛУЫН ҚАМТАМАСЫЗ ЕТЕДІ. ӨКІЛЕТТІ ЕМЕС ҚЫЗМЕТКЕР ТЕХНИКАЛЫҚ ҚЫЗМЕТ КӨРСЕТКЕНДЕ АУЫР ЗАҚЫМҒА ӘКЕЛУІ МҮМКІН ІШКІ СЫМ МЕН ҚҰРАМДАСТАРДЫҢ ДҰРЫС ЕМЕС ҚОСЫЛЫМУЫНА ӘКЕЛУІ МҮМКІН.

ЕСКЕРТПЕ
Сіз көмір қылшақтарын тек қана тексерсе және ауыстыра аласыз. Құрал ішінде басқа қызмет көрсетуге болатын бөлшектер жоқ.

ТАЗАЛАУ

1. Құралдың желдету саңылауларын, қосқышын және иінтректерін сығылған құрғақ ауамен тазалаңыз.

▲ НАЗАР АУДАРЫҢЫЗ ҮШКІР ЗАТТАРДЫ САҢЫЛАУҒА КІРГІЗУ АРҚЫЛЫ ҚҰРАЛДЫ ТАЗАЛАМАҢЫЗ.

**HAZAR AUDARÝNYÝZ****КӨЗІҢІЗДІ ҚОРҒАУ ҮШІН ҚОРҒАНЫС
КӨЗІЛДІРІГІН КИҢІЗ.**

2. Құралдың беткі жағын ылғал шүберекпен тазалаңыз.

**HAZAR AUDARÝNYÝZ**

ҚҰРАЛДЫ БЕЗІН, ТЕТРАХЛОРЕТАН, ХЛОРЛАНҒАН ТАЗАЛАУ ЕРІТКІШТЕРІ, АММИАК ЖӘНЕ ҚҰРАМЫНДА АММИАК БАР ТҰРМЫСТЫҚ ТАЗАЛАЙТЫН ҚҰРАЛДАР ЖӘНЕ ЕРІТКІШТЕРМЕН ТАЗАЛАМАҢЫЗ. ОЛАР ПЛАСТИК БӨЛШЕКТЕРДІ ЗАҚЫМДАУЫ МҮМКІН.

КӨМІР ҚЫЛШАҚТАРҒА ТЕХНИКАЛЫҚ ҚЫЗМЕТ КӨРСЕТУ

4000 қоспағанда

Мотордың максималды тиімділігін сақтау үшін әр 40-50 сағат сайын қылшақтардың тозуын тексеріңіз. Сондай-ақ, құрал дұрыс емес жұмыс істегенде, қуат өшкенде немесе оғаш дыбыстар шыққанда қылшақтарды тексеріңіз.

**HAZAR AUDARÝNYÝZ**

ҚЫЛШАҚТАРЫ ТОЗҒАН ҚҰРАЛДЫ ПАЙДАЛАНУ САЛДАРЫНАН МОТОР БІРЖОЛА ЗАҚЫМДАЛАДЫ. ТЕК ТҮПНУСҚА DREMEL ҚОСАЛҚЫ ҚЫЛШАҚТАРЫН ПАЙДАЛАНЫҢЫЗ.

1. Құралды қуат көзінен ажыратып, таза жерге қойыңыз.
2. Екі қылшақ қақпағын құралдың сомынды бұрайтын кілтін бұрауыш ретінде пайдаланып алыңыз. 15-СУРЕТ (200/3000), 17-СУРЕТ (4200).
3. Бекітілген серіппелерді тарту арқылы құралдан екі қылшақты алыңыз. 16-СУРЕТ (200/3000), 18-СУРЕТ (4200).
4. Екі қылшақты да тексеріңіз. Қылшақ ұзындығы 3 мм-ден аз болса және/немесе қылшақтың беткі жағы қатты болса немесе желініп қалса, көмір қылшағын жаңасымен ауыстырыңыз.
 - a. Қылшақтан серіппені алып тастаңыз.
 - b. Ескі қылшақты қоқысқа тастап, серіппені жаңа қылшаққа орнатыңыз.

ЕСКЕРТПЕ

Бір қылшақ тозған болса, құрал жақсы жұмыс істеуі үшін екі қылшақты да ауыстыру қажет.

5. Көмір қылшақтарын (серіппемен бірге) қайта құралға салыңыз. Қылшақ құралға қайта орнатылатын тек бір ғана жол бар.
6. Қақпақтарды сағат бағытымен бұру арқылы қылшақ қақпақтарын ауыстырыңыз. Бекіту үшін сомынды бұрайтын кілтті пайдаланыңыз, бірақ қатты бекітпеңіз!
7. Құралды қайта пайдалана бастау үшін “Алғашқы рет пайдалану” бөліміне қараңыз.

ҚЫЗМЕТ КӨРСЕТУ ЖӘНЕ КЕПІЛДІК

**HAZAR AUDARÝNYÝZ**

ІШІНДЕ ПАЙДАЛАНУШЫ ҚЫЗМЕТ КӨРСЕТУГЕ БОЛАТЫН БӨЛШЕКТЕР ЖОҚ, ӨКІЛЕТТІ ЕМЕС ҚЫЗМЕТКЕР ПРОФИЛАКТИКАЛЫҚ ТЕХНИКАЛЫҚ ҚЫЗМЕТ КӨРСЕТКЕНДЕ АУЫР ЗАҚЫМҒА ӘКЕЛУІ МҮМКІН ІШКІ СЫМ МЕН ҚҰРАМДАСТАРДЫҢ ДҰРЫС ЕМЕС ҚОСЫЛЫМЫНА ӘКЕЛУІ МҮМКІН. Құралға қызмет көрсету жұмыстарының барлығы Dremel қызмет көрсету орталығы арқылы орындалуына кеңес береміз. ЖӨНДЕУШІЛЕР: Қызмет көрсетпес бұрын құралды және/немесе зарядтағышты қуат көзінен ажыратыңыз.

Осы DREMEL өніміне белгіленген/нақты мемлекет ережелеріне сәйкес кепілдік беріледі; тозу салдарынан орын алған зақым, шамадан тыс жүктеме немесе дұрыс емес өңдеу кепілдікке кірмейді.

Шағым түскен жағдайда, бөлшектелмеген құрал немесе

зарядтағышты және сатып алуға қатысты дәлелдерді дилерге жіберіңіз.

DREMEL ӨНІМДЕРІ ТУРАЛЫ АҚПАРАТТЫ ҚАЙДАН АЛУҒА БОЛАДЫ

Dremel өнімдері, қолдау көрсету және байланыс желісі туралы қосымша ақпарат алу үшін www.dremel.com сайтына өтіңіз.

Пошта мекенжайы: Konijnenberg 60, 4825 BD Breda, Нидерланды мемлекеті

Dremel
Konijnenberg 60
4825 BD Breda
The Netherlands

RUS
