

- en** Original instructions
- ru** Оригинальное руководство по эксплуатации
- ua** Оригінальна інструкція з експлуатації
- kz** Пайдалану нұсқаулығының түпнұсқасы

English

Explanatory drawings page 3
General safety rules, instructions manual pages 4 - 8

Русский

Пояснительные рисунки страница 3
Общие указания по ТБ, инструкция по эксплуатации страницы 9 - 13

Українська

Пояснювальні малюнки сторінка 3
Загальні вказівки по ТБ, інструкція з експлуатації сторінки 14 - 18

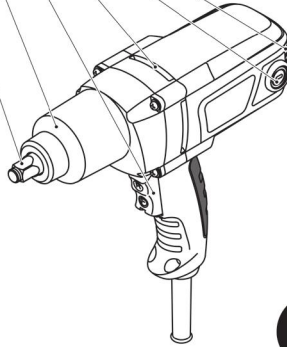
Қазақ тілі

Түсіндіргіш әлеміштер бет 3
Жалпы қауіпсіздік жөніндегі ұсыныстар, пайдалану нұсқаулығы беттер 19 - 23

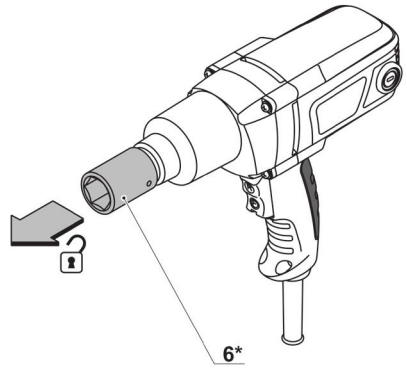
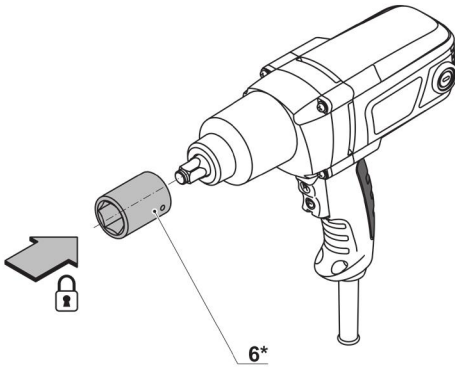


CT12018

1 2 3 4 5 4

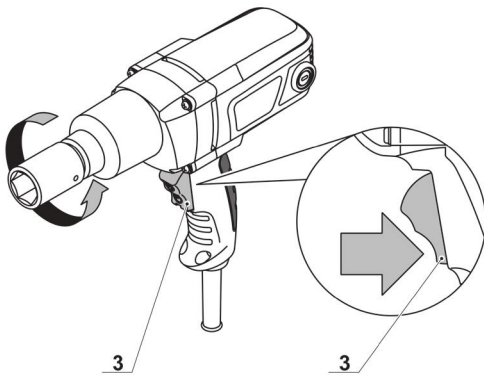


1

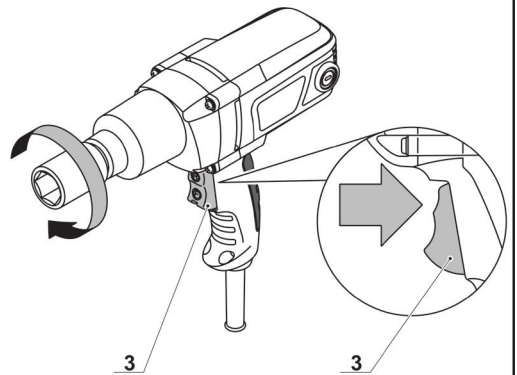


2

2.1



2.2



Power tool specifications

| Impact wrench | | CT12018 |
|-------------------------------|-----------------------|------------------------|
| Power tool code | [220-230 V ~50/60 Hz] | 421630 |
| Rated power | [W] | 900 |
| Power output | [W] | 470 |
| Amperage at voltage | 220-230 V [A] | 4.3 |
| No-load speed | [min ⁻¹] | 2100 |
| Torque | [Nm] | 320 |
| Percussion (impact) rate | [min ⁻¹] | 2700 |
| Min. diameter of screws | [mm] [inches] | M8 5/16" |
| Max. diameter of screws | [mm] [inches] | M24 15/16" |
| Tool holder (external square) | [mm] [inches] | 12,7x12,7 1/2"x1/2" |
| Weight | [kg] [lb] | 3,5 7.72 |
| Safety class | | □ / II |
| Sound pressure | [dB(A)] | 102 |
| Acoustic power | [dB(A)] | 113 |
| Weighted vibration | [m/s ²] | 16,16 |

Noise information



Always wear ear protection if the sound pressure exceed 85 dB(A).

CE Declaration of conformity

We declare under our sole responsibility that the product described under "Power tool specifications" is in conformity with all relevant provisions of the directives 2006/42/EC including their amendments and complies with the following standards: EN 60745-1, EN 60745-2-2.

Certification manager

Wu Cunzhen

Merit Link International AG
Stabio, Switzerland, 17.10.2017



WARNING - To reduce the risk of injury, user must read instruction manual!

General safety rules



WARNING! Read all safety warnings and all instructions. Failure to follow the warnings and instructions may result in electric shock, fire and / or serious injury.

Save all warnings and instructions for future reference.

The term "power tool" in the warnings refers to your mains-operated (corded) power tool or battery-operated (cordless) power tool.

Work area safety

- **Keep work area clean and well lit.** Cluttered or dark areas invite accidents.
- **Do not operate power tools in explosive atmospheres, such as in the presence of flammable liquids, gases or dust.** Power tools create sparks which may ignite the dust or fumes.

English

• **Keep children and bystanders away while operating a power tool.** Distractions can cause you to lose control.

Electrical safety

• **Power tool plugs must match the outlet. Never modify the plug in any way. Do not use any adapter plugs with earthed (grounded) power tools.** Unmodified plugs and matching outlets will reduce risk of electric shock.

• **Avoid body contact with earthed or grounded surfaces, such as pipes, radiators, ranges and refrigerators.** There is an increased risk of electric shock if your body is earthed or grounded.

• **Do not expose power tools to rain or wet conditions.** Water entering a power tool will increase the risk of electric shock.

• **Do not abuse the cord. Never use the cord for carrying, pulling or unplugging the power tool. Keep cord away from heat, oil, sharp edges or moving parts.** Damaged or entangled cords increase the risk of electric shock.

• **When operating a power tool outdoors, use an extension cord suitable for outdoor use.** Use of a cord suitable for outdoor use reduces the risk of electric shock.

• **If operating a power tool in a damp location is unavoidable, use a residual current device (RCD) protected supply.** Use of an RCD reduces the risk of electric shock. NOTE! The term "residual current device (RCD)" may be replaced by the term "ground fault circuit interrupter (GFCI)" or "earth leakage circuit breaker (ELCB)".

• **Warning!** Never touch the exposed metal surfaces on gearbox, shield, and so on because touching metal surfaces will be interfered with the electromagnetic wave, thus causing potential injury or accidents.

Personal safety

• **Stay alert, watch what you are doing and use common sense when operating a power tool. Do not use a power tool while you are tired or under the influence of drugs, alcohol or medication.** A moment of inattention while operating power tools may result in serious personal injury.

• **Use personal protective equipment. Always wear eye protection.** Protective equipment such as dust mask, non-skid safety shoes, hard hat, or hearing protection used for appropriate conditions will reduce personal injuries.

• **Prevent unintentional starting. Ensure the switch is in the off-position before connecting to power source and / or battery pack, picking up or carrying the tool.** Carrying power tools with your finger on the switch or energising power tools that have the switch on invites accidents.

• **Remove any adjusting key or wrench before turning the power tool on.** A wrench or a key left attached to a rotating part of the power tool may result in personal injury.

• **Do not overreach. Keep proper footing and balance at all times.** This enables better control of the power tool in unexpected situations.

• **Dress properly. Do not wear loose clothing or jewellery. Keep your hair, clothing and gloves away from moving parts.** Loose clothes, jewellery or long hair can be caught in moving parts.

• **If devices are provided for the connection of dust extraction and collection facilities, ensure**

these are connected and properly used. Use of dust collection can reduce dust-related hazards.

• **Do not let familiarity gained from frequent use of tools allow you to become complacent and ignore tool safety principles.** A careless action can cause severe injury within a fraction of a second.

• **Warning!** Power tools can produce an electromagnetic field during operation. This field may under some circumstances interfere with active or passive medical implants. To reduce the risk of serious or fatal injury, we recommend persons with medical implants to consult their physician and the medical implant manufacturer before operating this power tool.

Power tool use and care

• The persons with lowered psychophysical or mental aptitudes as well as children can not operate the power tool, if they are not supervised or instructed about use of the power tool by a person responsible for their safety.

• **Do not force the power tool. Use the correct power tool for your application.** The correct power tool will do the job better and safer at the rate for which it was designed.

• **Do not use the power tool if the switch does not turn it on and off.** Any power tool that cannot be controlled with the switch is dangerous and must be repaired.

• **Disconnect the plug from the power source and / or the battery pack from the power tool before making any adjustments, changing accessories, or storing power tools.** Such preventive safety measures reduce the risk of starting the power tool accidentally.

• **Store idle power tools out of the reach of children and do not allow persons unfamiliar with the power tool or these instructions to operate the power tool.** Power tools are dangerous in the hands of untrained users.

• **Maintain power tools. Check for misalignment or binding of moving parts, breakage of parts and any other condition that may affect the power tool's operation. If damaged, have the power tool repaired before use.** Many accidents are caused by poorly maintained power tools.

• **Keep cutting tools sharp and clean.** Properly maintained cutting tools with sharp cutting edges are less likely to bind and are easier to control.

• **Use the power tool, accessories and tool bits etc. in accordance with these instructions, taking into account the working conditions and the work to be performed.** Use of the power tool for operations different from those intended could result in a hazardous situation.

• **Keep handles and grasping surfaces dry, clean and free from oil and grease.** Slippery handles and grasping surfaces do not allow for safe handling and control of the tool in unexpected situations.

• Note that when you operate a power tool, please hold the auxiliary handle correctly, which is helpful when controlling the power tool. Therefore, proper holding can reduce the risk of accidents or injuries.

Service

• **Have your power tool serviced by a qualified repair person using only identical replacement**

parts. This will ensure that the safety of the power tool is maintained.

- Follow instruction for lubricating and changing accessories.

Special safety warnings

- **Hold power tool by insulated gripping surfaces, when performing an operation where the cutting accessory may contact hidden wiring or its own cord.** Cutting accessory contacting a "live" wire may make exposed metal parts of the power tool "live" and could give the operator an electric shock.
- **Wear ear protectors.** Exposure to noise can cause hearing loss.

Safety guidelines during power tool operation

- When operating the power tool, you should pay attention and remain vigilant. You shall not use the power tool when you feel fatigue or under the influence of anesthesia, alcohol or drugs.
- You shall not put your fingers on switch button to avoid starting up the power tool unconsciously when the tool is moving.
- When mounting screws, you should ensure other components matching the screws are fully fixed and reliable before operating the power tool. The switch shall be started on a safety position and the power tool shall operate for 30 seconds, which shall be stopped promptly in case of any serious vibration or other problem; and arrangement shall be made for maintenance.
- Before starting, it is necessary to determine the location of the concealed wiring, water and gas pipelines. In case of damage of electrical wiring or general utilities (for example, by a bolt screw being screwed) severe consequences for life and health of the operating personnel are likely to occur.
- Do not use the usual socket wrench sleeve, use the specially designed sleeve for impact wrench. Impact wrench sleeve is black, hard and don't damage the screw bolt. The sleeve not for the impact wrench is easy to be damaged, and easy to cause personal injury. Before use, be sure the sleeve without cracks or other visible damage.
- Change of the construction of socket wrenches as well as use of detachable attachments or accessories not suitable for this power tool is prohibited.
- Recoil (a sudden jerk of the power tool) may occur during operation; in order to avoid dangerous situations (for example loss of balance), keep the power tool in your hands firmly and maintain a firm posture.
- When processing small blank parts, which own weight is not sufficient to ensure necessary fixation, use special clamp fixtures.

Symbols used in the manual

Following symbols are used in the operation manual, please remember their meanings. Correct interpretation of the symbols will allow correct and safe use of the power tool.

| Symbol | Meaning |
|--------|---|
| | Serial number sticker: CT ... - model; XX - date of manufacture; XXXXXXXX - serial number. |
| | Read all safety regulations and instructions. |
| | Wear safety goggles. |
| | Wear ear protectors. |
| | Wear a dust mask. |
| | Disconnect the power tool from the mains before installation or adjustment. |
| | Movement direction. |
| | Rotation direction. |
| | Locked. |
| | Unlocked. |
| | Double insulation / protection class. |
| | Attention. Important. |
| | A sign certifying that the product complies with essential requirements of the EU directives and harmonized EU standards. |
| | Do not dispose of the power tool in a domestic waste container. |

Power tool designation

The power tool is intended for tightening and loosening nuts and bolts.

The area of the tool application can be expanded due to use of additional accessories.

Power tool components

- 1 Tool holder
- 2 Body
- 3 On / off switch (reverse function)
- 4 Ventilation slots
- 5 Screw plug
- 6 Socket wrench *

* Optional extra

Not all of the accessories illustrated or described are included as standard delivery.

Installation and regulation of power tool elements

Before carrying out any works on the power tool it must be disconnected from the mains.

Socket wrench mounting / dismounting (see fig. 1)

- Insert the socket wrench **6** onto the tool holder **1** and press it to fix it (see. fig. 1).
 - Disassembly operations do in reverse sequence.
-

Initial operating of the power tool

Always use the correct supply voltage: the power supply voltage must match the information quoted on the power tool identification plate.

Switching the power tool on / off

Rotation to the right

Press and hold the on / off switch **3** on the bottom (see fig. 2.1), to switch off - release it.

Rotation to the left

Press and hold the on / off switch **3** on the top (see fig. 2.2), to switch off - release it.

Design features of the power tool

The tool holder **1** with the socket wrench **6** is driven by an electric motor via a gear and impact mechanism. The working procedure is divided into two phases: Screwing in and tightening (impact mechanism in action). The impact mechanism is activated as soon as the screwed connection runs tight and thus load is put on the motor, converting the power of the motor to steady rotary impacts. When loosening screws or nuts, the process is reversed.

The torque depends on the impact duration. The maximum achieved torque results from the sum of all individual torques achieved through impact. The maximum torque is achieved after an impact duration of 3-5 seconds. After this duration, the tightening torque is increased only minimally. However, the transmission housing heats up noticeably.



The consequences of excessive heating-up are high wear of all hammer mechanism components and a high requirement of lubricant.

The impact duration is to be determined for each required tightening torque. The actually achieved tightening torque is always to be checked with a torque wrench.

Recommendations on the power tool operation



Apply the socket wrench to the tool holder only when the power tool it is switched off.

A torque depends on the following factors:

- Strength properties of the screws / nuts.
- Type of backing (washer, disc spring, seal).
- Strength properties of the material being screwed / bolted together.
- Lubrication conditions at the screw / bolt connection.

Hard seat - is given for metal-to-metal screw applications with the use of washers. After a relatively short impact duration, the maximum torque is reached. Unnecessary long impact duration only causes damage to the machine.

Spring-loaded seat - is given for metal-to-metal screw applications, however with the use of spring washers, disc springs, studs or screws / nuts with conical seat as well as when using extensions.

Soft seat - is given for screw applications, e. g., metal on wood or when using lead washers or fibre washers as backing.

For a spring-loaded seat as well as for a soft seat, the maximum tightening torque is lower than for a hard seat. Also, a clearly longer impact duration is required. The impact duration is to be determined through practical testing.

At temperatures below the freezing point, run the machine for approx. 3 minutes at no-load to improve its lubricating capacity.

Power tool maintenance / preventive measures

Before carrying out any works on the power tool it must be disconnected from the mains.

Cleaning of the power tool

An indispensable condition for a safe long-term exploitation of the power tool is to keep it clean. Regularly

flush the power tool with compressed air through the ventilation slots 4.

After-sales service and application service

Our after-sales service responds to your questions concerning maintenance and repair of your product as well as spare parts. Information about service centers, parts diagrams and information about spare parts can also be found under: www.crown-tools.com.

Transportation of the power tools

- Categorically not to drop any mechanical impact on the packaging during transport.

- When unloading / loading is not allowed to use any kind of technology that works on the principle of clamping packaging.

Environmental protection



Recycle raw materials instead of disposing as waste.

Power tool, accessories and packaging should be sorted for environment-friendly recycling.

The plastic components are labelled for categorized recycling.

These instructions are printed on recycled paper manufactured without chlorine.

The manufacturer reserves the possibility to introduce changes.

English

Технические характеристики электроинструмента

| | | |
|--|-----------------------|------------------------|
| Ударный гайковерт | | СТ12018 |
| Код электроинструмента | [220-230 В ~50/60 Гц] | 421630 |
| Номинальная мощность | [Вт] | 900 |
| Выходная мощность | [Вт] | 470 |
| Сила тока при напряжении | 220-230 В [А] | 4.3 |
| Число оборотов холостого хода | [мин ⁻¹] | 2100 |
| Крутящий момент | [Nm] | 320 |
| Частота ударов | [мин ⁻¹] | 2700 |
| Мин. диаметр винтов | [мм] [дюймы] | M8 5/16" |
| Макс. диаметр винтов | [мм] [дюймы] | M24 15/16" |
| Держатель принадлежности (внешний квадрат) | [мм] [дюймы] | 12,7x12,7 1/2"x1/2" |
| Вес | [кг] [фунты] | 3,5 7.72 |
| Класс безопасности | | □ / II |
| Звуковое давление | [дБ(А)] | 102 |
| Акустическая мощность | [дБ(А)] | 113 |
| Вибрация | [м/с ²] | 16,16 |

Информация о шуме



Носить приспособление для защиты органов слуха при уровне звукового давления свыше 85 дБ(А).



Соответствия требуемым нормам

Мы заявляем под нашу единоличную ответственность, что описанный в разделе "Технические характеристики электроинструмента" продукт отвечает всем соответствующим положениям Директив 2006/42/ЕС, включая их изменения, а также следующим нормам: EN 60745-1, EN 60745-2-2.

Менеджер по сертификации

Wu Cunzhen



ПРЕДУПРЕЖДЕНИЕ. Чтобы снизить риск получения травм, пользователь должен ознакомиться с руководством по эксплуатации!

Общие правила техники безопасности



ПРЕДУПРЕЖДЕНИЕ. Прочтите все предупреждения о технике безопасности и инструкции. Несоблюдение предупреждений и инструкций может привести к поражению электрическим током, возгоранию и / или серьезной травме.

Сохраните все предупреждения и инструкции для дальнейшего использования.

Термин "электроинструмент", используемый в тексте предупреждений, относится к электроинструменту с питанием от электросети (проводной) или электроинструменту с питанием от аккумулятора (беспроводной).

Безопасность рабочего места

- Рабочее место должно быть чистым и хорошо освещенным. В захламленных или темных местах вероятны несчастные случаи.

Merit Link International AG
Stabio, Швейцария, 17.10.2017

Русский

- **Не используйте электроинструменты во взрывоопасных средах, например, в присутствии легковоспламеняющихся жидкостей, газов или пыли.** Электроинструменты создают искры, которые могут стать причиной воспламенения пыли или паров.
- **Во время работы электроинструмента не допускайте присутствия детей и других лиц.** Отвлечение внимания может привести к потере контроля.

Рекомендации по электробезопасности

- **Вилки электроинструмента должны соответствовать розетке. Никогда не вносите изменения в конструкцию вилки. Не используйте адаптеры с заземленными электроинструментами.** Вилки оригинальной конструкции и соответствующие розетки уменьшают риск поражения электрическим током.
- **Избегайте контакта с заземленными поверхностями, такими как трубы, радиаторы, плиты и холодильники.** Это повышает риск поражения электрическим током.
- **Не подвергайте электроинструмент воздействию дождя или влаги.** Попадание воды внутрь электроинструмента повышает риск поражения электрическим током.
- **Не используйте токоведущий кабель в целях, для которых он не предназначен. Никогда не используйте кабель для переноса электроинструмента, подтягивания электроинструмента к себе, или для выключения электроинструмента рывком за токоведущий кабель.** Оберегайте токоведущий кабель от нагревания, нефтепродуктов, острых кромок или движущихся частей электроинструмента. Поврежденный или спутанный токоведущий кабель увеличивает опасность поражения электрическим током.
- **При работах на открытом воздухе, используйте удлинительные кабели, предназначенные для наружных работ, это снизит опасность поражения электрическим током.**
- **Если нельзя избежать работы электроинструмента на участке с повышенной влажностью, используйте устройство защитного отключения (УЗО).** Использование УЗО снижает риск поражения электрическим током. ПРИМЕЧАНИЕ. термин "УЗО (RCD)" может быть заменен термином "устройство защитного отключения (GFCI)" или "автоматический выключатель с функцией защиты от тока утечки (ELCB)".
- **Предупреждение!** Никогда не прикасайтесь к открытым металлическим поверхностям редуктора, защитного кожуха и т.д., так как на металлические поверхности воздействуют электромагнитные волны и касание к ним может привести к травме или несчастному случаю.

Рекомендации по личной безопасности.

- **Будьте бдительными, следите за тем, что вы делаете, и при работе с электроинструментом руководствуйтесь здравым смыслом. Не используйте электроинструмент, если вы устали или находитесь под воздействием наркотических средств, алкоголя или лекарств.** Ослабление внимания при работе с электроинструментом может привести к серьезной травме.
- **Используйте средства индивидуальной защиты. Всегда надевайте защитные очки.** Сред-

ства индивидуальной защиты, такие как пылезащитная маска, нескользящая защитная обувь, каска или средства защиты органов слуха, которые используются в соответствующих условиях, уменьшают вероятность получения травм.

- **Не допускайте непреднамеренного запуска электроинструмента. Перед подключением к источнику питания и / или аккумулятору, снятием или переносом электроинструмента убедитесь, что выключатель / выключатель находится в выключенном состоянии.** Перемещение электроинструмента, когда палец находится на выключателе / выключателе, или включение питания электроинструментов с включенным выключателем / выключателем может стать причиной несчастного случая.
- **Перед включением, необходимо убрать из вращающихся частей электроинструмента все дополнителные ключи и приспособления.** Ключ, оставленный во вращающейся части электроинструмента, может быть причиной серьезных травм.
- **Не предпринимайте чрезмерных усилий. Всегда сохраняйте устойчивое положение и равновесие.** Это позволяет лучше контролировать электроинструмент в непредвиденных ситуациях.
- **Носите соответствующую одежду. Не надевайте свободную одежду или украшения. Держите волосы, одежду и перчатки вдали от движущихся деталей.** Свободная одежда, украшения или длинные волосы могут быть захвачены подвижными частями электроинструмента, что станет причиной серьезных травм.
- **Если в конструкции электроинструмента предусмотрена возможность для подключения пылеулавливающих и пылесборных устройств, убедитесь, что они подключены и правильно используются.** Использование таких устройств уменьшает опасность, связанные с накоплением пыли.
- **Всегда будьте осторожны, не игнорируйте принципы безопасной работы с электроинструментом из-за знаний и опыта, полученных вследствие частого пользования электроинструментом.** Неосторожное действие может незамедлительно привести к серьезным травмам.
- **Предупреждение!** Во время работы электроинструменты могут создавать электромагнитное поле. При определенных обстоятельствах такое поле может создавать помехи активным или пассивным медицинским имплантатам. Чтобы снизить риск серьезной или смертельной травмы, перед использованием электроинструмента рекомендуем людям с медицинскими имплантатами проконсультироваться с врачом и изготовителем медицинского имплантата.

Использование и обслуживание электроинструмента

- Люди с недостаточными психофизическими или умственными способностями и дети не могут управлять электроинструментом, если человек, ответственный за их безопасность, не контролирует их или не инструктирует об использовании электроинструмента.
- **Не перегружайте электроинструмент. Используйте электроинструмент, который соответствует вашей цели применения.** Соответствующий электроинструмент будет работать лучше и безопаснее с той производительностью, для которой он был спроектирован.

- Не работайте электроинструментом с неисправным выключателем / выключателем. Электроинструмент, включение / выключение которого, не может контролироваться представляет опасность и должен быть немедленно отремонтирован.
- Перед выполнением каких-либо настроек, сменой принадлежностей или хранением электроинструментов - отсоедините вилку от источника питания и / или аккумулятор от электроинструмента. Эти меры безопасности снижают риск случайного запуска электроинструмента.
- Храните неиспользуемые электроинструменты в недоступном для детей месте и не разрешайте лицам, которые не ознакомились с электроинструментом или этими инструкциями, использовать электроинструмент. Электроинструменты опасны в руках неподготовленных пользователей.
- Следите за состоянием электроинструмента. Проверяйте осевое биение и надежность соединения подвижных деталей, а также любые неисправности, которые могут вывести электроинструмент из строя. Неисправный электроинструмент необходимо отремонтировать перед использованием. Многие несчастные случаи возникают из-за плохого состояния электроинструмента.
- Режущие инструменты должны содержаться в чистоте и быть хорошо заточенными. Правильно установленные режущие инструменты с острыми режущими кромками уменьшают возможность заклинивания и облегчают управление электроинструментом.
- Используйте электроинструмент, принадлежностями, насадками и т.п. в соответствии с инструкциями, принимая во внимание условия работы и выполняемые работы. Использование электроинструмента для операций, для которых он не предназначен, может привести к опасной ситуации.
- Поддерживайте рукоятки и поверхности захвата сухими, чистыми и свободными от масла и смазки. Скользкие рукоятки и поверхности захвата препятствуют безопасному обращению с электроинструментом и управлению им в неожиданных ситуациях.
- Обратите внимание, что при работе с электроинструментом необходимо правильно держать вспомогательную рукоятку; выполнение этого требования облегчает управление электроинструментом. Таким образом, правильное удержание электроинструмента может снизить риск несчастных случаев или травм.

Техническое обслуживание

- Обслуживание Вашего электроинструмента должно производиться квалифицированными специалистами с использованием рекомендованных запасных частей. Это дает гарантию, того что безопасность Вашего электроинструмента будет сохранена.
- Соблюдайте инструкции по смазке, а также рекомендации по замене аксессуаров.

Особые указания по технике безопасности

- При выполнении операции, при которой режущая деталь может задеть скрытую электро-

проводку или собственный кабель, держите электроинструмент только за изолированные поверхности захвата. Так как режущая деталь касается провода под напряжением, это может привести к появлению напряжения в открытых металлических частях электроинструмента и стать причиной поражения оператора электрическим током.

- Носите защитные наушники. При воздействии шума вероятна потеря слуха.

Правила техники безопасности при эксплуатации электроинструмента


- При использовании электроинструмента будьте внимательны и осторожны. Не работайте с электроинструментом, если вы чувствуете усталость или находитесь под воздействием анестезии, алкоголя или медицинских препаратов.
- Чтобы исключить случайное включение электроинструмента при его перемещении, не держите пальцы на выключателе / выключателе.
- Перед началом работы, убедитесь, что рабочие принадлежности правильно установлены и не имеют повреждений. Удерживайте электроинструмент на безопасном расстоянии от себя, и включите его. Дайте электроинструменту поработать в течение 30 секунд. В случае возникновения каких-либо проблем (сильной вибрации, радиального биения принадлежностей и т.п.) немедленно выключите электроинструмент. Попробуйте заменить рабочую принадлежность, если это не поможет - обратитесь в специализированный сервисный центр.
- Перед началом работы необходимо выяснить расположение скрытой электропроводки, водопроводных и газовых труб. При повреждении электропроводки или бытовых коммуникаций (например, вкручиваемым шурупом) возможны тяжелые последствия для жизни и здоровья работающего.
- Используйте торцевые головки, специально разработанные для ударного гайковерта. Они черного цвета, более прочные, а их конструкция позволяет работать не повреждая головку винта или болта. Использование обычных торцевых головок, может привести к их разрушению, что может стать причиной травм пользователя. Перед использованием убедитесь, что торцевая головка не имеет видимых повреждений (трещин, сколов) - использование поврежденных торцевых головок категорически запрещено.
- Изменение конструкции отверток-насадок или торцевых головок, а также использование съемных насадок и приспособлений, не предусмотренных для данного электроинструмента, запрещается.
- При работе может возникнуть отдача (внезапный рывок электроинструмента), чтобы избежать негативных последствий (например, потери равновесия) крепко удерживайте электроинструмент в руках и сохраняйте устойчивую позу.
- При обработке мелких заготовок, собственного веса которых недостаточно для надежной фиксации, используйте специальные зажимные приспособления.

Символы, используемые в инструкции

В руководстве по эксплуатации используются нижеприведенные символы, запомните их значение. Правильная интерпретация символов поможет ис-

пользовать электроинструмент правильно и безопасно.

| Символ | Значение |
|--|---|
|  | Наклейка с серийным номером: СТ ... - модель; XX - дата производства; XXXXXXX - серийный номер. |
|  | Ознакомьтесь со всеми указаниями по технике безопасности и инструкциями. |
|  | Носите защитные очки. |
|  | Носите защитные наушники. |
|  | Носите пылезащитную маску. |
|  | Отключайте электроинструмент от сети перед проведением монтажных и регулировочных работ. |
|  | Направление движения. |
|  | Направление вращения. |
|  | Заблокировано. |
|  | Разблокировано. |
|  | Двойная изоляция / класс защиты. |
|  | Внимание. Важная информация. |
|  | Знак, удостоверяющий, что изделие соответствует основным требованиям директив ЕС и гармонизированным стандартам Европейского Союза. |

| Символ | Значение |
|---|--|
|  | Не выбрасывайте электроинструмент в бытовой мусор. |

Назначение электроинструмента

Электроинструмент предназначен для закручивания и откручивания гаек и болтов. В результате применения дополнительных принадлежностей и приспособлений, область применения электроинструмента расширяется.

Элементы устройства электроинструмента

- 1 Держатель принадлежности
- 2 Корпус
- 3 Выключатель / выключатель (с функцией реверса)
- 4 Вентиляционные отверстия
- 5 Винтовая заглушка
- 6 Торцевая головка *

* Принадлежности

Перечисленные, а также изображенные принадлежности, частично не входят в комплект поставки.

Монтаж и регулировка элементов электроинструмента

Перед проведением всех процедур электроинструмент обязательно отключить от сети.

Монтаж / демонтаж торцевой головки (см. рис. 1)

- Вставьте торцевой гаечный ключ **6** в держатель принадлежности **1** и нажмите на него для фиксации (см. рис. 1).
- Демонтаж производите в обратной последовательности.

Ввод в эксплуатацию электроинструмента

Убедитесь в том, что имеющееся напряжение в сети соответствует данным, указанным на приборном щитке электроинструмента.

Включение / выключение электроинструмента

Вращение вправо

Нажмите на верхнюю часть выключателя / выключателя **3** и удерживайте его в этом положении (см. рис. 2.1). Для выключения отпустите выключатель / выключатель **3**.

Вращение влево

Нажмите на нижнюю часть включателя / выключателя **3** и удерживайте его в этом положении (см. рис. 2.2). Для выключения отпустите включатель / выключатель **3**.

Конструктивные особенности электроинструмента

Держатель принадлежности **1** с торцевой головкой **6** приводится в движение электродвигателем посредством зубчатой передачи и ударного механизма. Процедура работы состоит из двух фаз: закручивания и затягивания (работа ударного механизма). Ударный механизм приводится в действие, как только винтовое соединение туго зажимается, что приводит к нагрузке на двигатель, превращая энергию двигателя в равномерные вращательные удары. При ослаблении винтов и гаек процесс обратный.

Крутящий момент зависит от продолжительности ударов. Максимальный достигаемый крутящий момент равен сумме всех отдельных моментов, достигаемых при ударах. Максимальный крутящий момент достигается после продолжительности ударов в 3-5 секунд. После этого времени крутящий момент затяжки возрастает очень слабо. Однако корпус редуктора значительно нагревается.



Результатом избыточного перегрева является износ всех компонентов ударного механизма и большой расход смазки.

Продолжительность ударов должна определяться для каждого требуемого крутящего момента затяжки. Следует всегда проверять достигнутый крутящий момент затяжки с помощью динамометрического ключа.

Рекомендации при работе электроинструментом



При вставке торцевой головки в держатель принадлежности электроинструмент должен быть выключен.

Крутящий момент зависит от следующих факторов:

- Прочностные характеристики винтов / гаек.
- Тип основы (шайба, дисковая пружина, уплотнение).
- Прочностные характеристики скрепляемого винтами / болтами материала.
- Условия смазки винтового / болтового материала.

Жесткая опора - для винтового соединения металла с металлом с использованием шайб. Максимальный крутящий момент достигается после относительно небольшой продолжительности ударов. Избыточно большая продолжительность ударов приводит только к повреждению электроинструмента.

Подпружиненная опора - для винтового соединения металла с металлом, при использовании

пружинных шайб, дисковых пружин, болтов или винтов / гаек с коническим вкладышем, а также при использовании удлинителей.

Мягкая опора - для винтовых соединений, например, металла с деревом либо при использовании в качестве основы свинцовых или фибровых шайб.

Для подпружиненных, а также для мягких опор максимальный достигаемый крутящий момент ниже, чем для жестких опор. Кроме этого, требуется заметно большая продолжительность ударов. Продолжительность ударов должна определяться посредством практических испытаний. При температурах ниже 0 следует включить электроинструмент примерно на 3 минуты без нагрузки для улучшения свойств смазки.

Обслуживание / профилактика электроинструмента

Перед проведением всех процедур электроинструмент обязательно отключить от сети.

Чистка электроинструмента

Обязательным условием для долгосрочной и безопасной эксплуатации электроинструмента является содержание его в чистоте. Регулярно продувайте электроинструмент сжатым воздухом через вентиляционные отверстия **4**.

Послепродажное обслуживание

Ответы на вопросы по ремонту и обслуживанию вашего продукта вы можете получить в сервисных центрах. Информацию о сервисных центрах, схемах запчастей и информацию по запчастям Вы можете найти по адресу: www.crown-tools.com.

Транспортировка электроинструментов

- Не допускайте падения упаковки, а также любые механические воздействия на нее при транспортировке.
- При погрузке / разгрузке не используйте погрузочную технику, работающую по принципу зажима упаковки.

Защита окружающей среды



Вторичное использование сырья вместо устранения мусора!

Электроинструмент, дополнительные принадлежности и упаковку следует экологически чисто утилизировать.

В интересах чистосортной рециркуляции отходов детали из синтетических материалов соответственно обозначены.

Настоящее руководство по эксплуатации напечатано на бумаге, изготовленной из вторсырья без применения хлора.

Оговаривается возможность внесения изменений.

Русский

Технічні характеристики електроінструменту

| | | |
|---|-----------------------|------------------------|
| Ударний гайковерт | | СТ12018 |
| Код електроінструмента | [220-230 В ~50/60 Гц] | 421630 |
| Номінальна потужність | [Вт] | 900 |
| Вихідна потужність | [Вт] | 470 |
| Сила току при нарузі | 220-230 В [А] | 4.3 |
| Частота обертання холостого ходу | [хв ⁻¹] | 2100 |
| Обертальний момент | [Нм] | 320 |
| Частота ударів | [хв ⁻¹] | 2700 |
| Мин. діаметр гвинтів | [мм] [дюйми] | M8 5/16" |
| Макс. діаметр гвинтів | [мм] [дюйми] | M24 15/16" |
| Утримувач приналежності (зовнішній квадрат) | [мм] [дюйми] | 12,7x12,7 1/2"x1/2" |
| Вага | [кг] [фунти] | 3,5 7.72 |
| Клас захисту | | □ / II |
| Рівень шуму | [дБ(А)] | 102 |
| Акустична потужність | [дБ(А)] | 113 |
| Рівень вібрації | [м/с ²] | 16,16 |

Інформація про шум



Завжди використовуйте звукоізоляційні навушники при рівні шуму понад 85 дБ(А).



Відповідності необхідним нормам

Ми заявляємо під нашу одноособову відповідальність, що описаний у розділі "Технічні характеристики електроінструменту" продукт відповідає усім відповідним положенням Директив 2006/42/ЕС, включаючи їх зміни, а також наступним нормам: EN 60745-1, EN 60745-2-2.

Менеджер із сертифікації

Wu Cunzhen



ПОПЕРЕДЖЕННЯ. Щоб знизити ризик отримання травм, користувач повинен ознайомитися з керівництвом по експлуатації!

Загальні правила техніки безпеки



ПОПЕРЕДЖЕННЯ. Прочитайте всі попередження з техніки безпеки та інструкції. Недотримання попереджень та інструкцій може призвести до ураження електричним струмом, займання і / або серйозних травм.

Збережіть всі попередження та інструкції для подальшого використання.

Термін "електроінструмент", який використовується в тексті попереджень, відноситься до електроінструменту з живленням від електромережі (провідний) або електроінструменту з живленням від акумулятора (бездротовий).

Безпека робочого місця

• Робоче місце повинно бути чистим і добре освітленим. У захаращених або темних місцях вірогідні нещасні випадки.

Merit Link International AG
Stabio, Швейцарія, 17.10.2017

Українська

- Не використовуйте електроінструменти у вибухонебезпечних середовищах, наприклад, в присутності легкозаймистих рідин, газів або пилу. Електроінструменти створюють іскри, які можуть призвести до займання пилу або парів.
- Під час роботи електроінструмента не допускайте присутності дітей та інших осіб. Відволікання уваги може призвести до втрати контролю.

Рекомендації з електробезпеки

- Вилки електроінструменту повинні підходити до розетки. Ніколи не вносьте зміни в конструкцію вилки. Не використовуйте адаптери з заземленими електроінструментами. Вилки оригінальної конструкції і відповідні розетки зменшують ризик ураження електричним струмом.
- Уникайте контакту з заземленими поверхнями, такими як труби, радіатори, плити та холодильники. Це підвищує ризик ураження електричним струмом.
- Не піддавайте електроінструмент впливу дощу або води або вологи. Попадання води в середину електроінструмента підвищує ризик ураження електричним струмом.
- Не використовуйте електричний кабель в цілях, для яких він не призначений. Ніколи не використовуйте кабель для перенесення електроінструменту, підтягання електроінструменту до себе або для вимкнення електроінструменту ривком за електричний кабель. Обережіть електричний кабель від нагрівання, нафтопродуктів, гострих крайок або рухомих частин електроінструменту. Пошкоджений або спутаний електричний кабель збільшує небезпеку поразки електричним струмом.
- При роботах на відкритому повітрі, використовуйте подовжувальні кабелі, призначені для зовнішніх робіт, це знизить небезпеку ураження електричним струмом.
- Якщо не можна уникнути роботи електроінструмента на ділянці з підвищеною вологістю, використовуйте пристрій захисного відключення (УЗО). Використання УЗО знижує ризик ураження електричним струмом. ПРИМІТКА: термін "УЗО (RCD)" може бути замінений терміном "пристрій захисного відключення (GFCI)" або "автоматичний вимикач з функцією захисту від струму витоку (ELCB)".
- Увага! Ніколи не торкайтеся до відкритих металевих поверхонь редуктора, захисного кожуха і т.д., оскільки на металеві поверхні впливають електромагнітні хвилі і торкання до них може призвести до травми або нещасного випадку.

Рекомендації з особистої безпеки.

- Будьте пильними, стежте за тим, що ви робите, і при роботі з електроінструментом керуйтеся здоровим глуздом. Не використовуйте електроінструмент, якщо ви втомилися або перебуваєте під впливом наркотичних засобів, алкоголю або ліків. Ослаблення уваги при роботі з електроінструментом може призвести до серйозної травми.
- Використуйте засоби індивідуального захисту. Завжди надівайте захисні окуляри. Засоби індивідуального захисту, такі як пілозахисна маска, нековане захисне взуття, каска або засоби захисту органів слуху, які використовуються у відповідних умовах, зменшують ймовірність отримання травм.

- Не допускайте ненавмисного запуску електроінструменту. Перед підключенням до джерела живлення та / або акумулятора, підняттям або перенесенням електроінструменту переконайтеся, що вмикач / вимикач знаходиться у вимкненому стані. Переміщення електроінструменту, коли палець знаходиться на вмикачі / вимикачі, або ввімкнення живлення електроінструментів з включеном вмикачем / вимикачем може стати причиною нещасного випадку.

- Перед ввімкненням необхідно прибрати з частин електроінструменту, що обертаються, всі додаткові ключі і пристосування. Ключ, залишений в частині електроінструменту, що обертається, може бути причиною серйозних травм.
- Не докладайте надмірних зусиль. Завжди зберігайте стійке положення і рівновагу. Це дозволяє краще контролювати електроінструмент у непередбачуваних ситуаціях.
- Носіть відповідний одяг. Не вдягайте вільний одяг або прикраси. Тримайте волосся, одяг і рукавиці далеко від рухомих деталей. Вільний одяг, прикраси або довге волосся можуть бути захоплені рухомими частинами електроінструменту, що стане причиною серйозних травм.
- Якщо в конструкції електроінструменту передбачена можливість для підключення пилословлюючих і пилосбірних пристроїв, переконайтеся, що вони підключені і правильно використовуються. Використання таких пристроїв зменшує небезпеку, пов'язані з накопиченням пилу.
- Завжди будьте уважні, не ігноруйте принципи безпечної роботи з електроінструментом через знання і досвід, отримані внаслідок частого користування електроінструментом. Необережна дія може негайно призвести до серйозних травм.
- Увага! Електроінструмент створює під час роботи електромагнітне поле. За деяких обставин, це поле може чинити негативний вплив на активні або пасивні медичні імплантати. Щоб зменшити ризик заподіяння серйозної шкоди здоров'ю або травми з летальним наслідком, людям з медичними імплантатами, перед початком експлуатації електроінструмента, рекомендується проконсультуватися з лікарем і виробником медичного імплантату.

Використовування і обслуговування електроінструмента

- Люди з недостатніми психофізичними або розумовими здібностями і діти не можуть управляти електроінструментом, якщо людина, яка відповідає за їх безпеку, не контролює їх чи не інструктує щодо використання електроінструменту.
- Не перевантажуйте електроінструмент. Використовуйте електроінструмент, який відповідає вашій цілі використання. Відповідний електроінструмент буде працювати краще і безпечніше з тією продуктивністю, для якої він був спроектований.
- Не працюйте електроінструментом з несправним вмикачем / вимикачем. Електроінструмент, ввімкнення / вимкнення якого не може контролюватися, становить небезпеку і повинен бути негайно відремонтований.
- Перед виконанням будь-яких налаштувань, заміною приладдя або зберіганням електроінструментів - від'єднайте вилку від джерела живлення і / або акумулятор від електроінструменту. Ці заходи безпеки знижують ризик випадкового запуску електроінструмента.

- Зберігайте невикористовувані електроінструменти в недоступному для дітей місці і не дозволяйте особам, які не ознайомились з електроінструментом або цими інструкціями, використовувати електроінструмент. Електроінструменти небезпечні в руках не підготовлених користувачів.
- Слідкуйте за станом електроінструменту. Переверняйте осьове биття і надійність з'єднання рухомих деталей, а також будь-які несправності, які можуть вивести електроінструмент з ладу. Несправний електроінструмент необхідно відремонтувати перед використанням. Багато нещасних випадків виникають через поганий стан електроінструменту.
- Ріжучі інструменти повинні знаходитися в чистоті і бути добре заточеними. Правильно встановлені ріжучі інструменти з гострими ріжучими кромками зменшують можливість заклинювання і полегшують управління електроінструментом.
- Використовуйте електроінструмент, приладдя, насадки і т.п. відповідно до інструкцій, беручи до уваги умови роботи і виконувані роботи. Використання електроінструмента для операцій, для яких він не призначений, може призвести до небезпечної ситуації.
- Підтримуйте рукоятки і поверхні захоплення сухими, чистими і вільними від масла і мастила. Слизькі рукоятки і поверхні захоплення перешкоджають безпечному поводженню з електроінструментом і управління ним в несподіваних ситуаціях.
- Зверніть увагу, що при роботі з електроінструментом необхідно правильно тримати допоміжну рукоятку; виконання цієї вимоги полегшує управління електроінструментом. Таким чином, правильне утримання електроінструменту може знизити ризик нещасних випадків або травм.

Технічне обслуговування

- Обслуговувати Ваш електроінструмент повинні кваліфіковані фахівці з використанням рекомендованих запасних частин. Це дає гарантію, що безпека Вашого електроінструменту буде збережена.
- Дотримуйтесь інструкції по змащуванню, а також рекомендації по заміні аксесуарів.

Особливі вказівки з техніки безпеки

- Тримайте електроінструмент за ізольовані поверхні захвату під час робіт, коли ріжучий механізм може контактувати з прихованою електропроводкою або власним шнуром. Контакт ріжучого механізму з проводом під напругою може призвести до появи напруги в незахищених металевих частинах електроінструменту та ураження оператора електричним струмом.
- Носіть захисні навушники. Шум може призвести до втрати слуху.

Правила техніки безпеки при експлуатації електроінструмента


- Під час використання електроінструменту будьте уважні та пильні. Не працюйте з електроінструментом, якщо ви відчуваєте втому або знаходитесь під впливом анестезії, алкоголю чи медичних препаратів.

- Щоб випадково не ввімкнути інструмент, який рухається, не кладіть пальці на кнопку перемикача.
- Під час установки шурупів впевніться, що інші деталі, відповідні до шурупів, повністю встановлені та є надійними. Це необхідно зробити перед експлуатацією електроінструменту. Активуйте перемикач, встановивши його у безпечне положення. Електроінструмент буде працювати впродовж 30 секунд. В разі виникнення вібрації значної потужності або інших проблем електроінструмент необхідно відразу ж вимкнути та відправити на технічне обслуговування.
- Перед початком роботи необхідно з'ясувати розташування прихованої електропроводки, водопровідних і газових труб. При пошкодженні електропроводки або побутових комунікацій (наприклад, укрупненим шурупом) можливі тяжкі наслідки для життя і здоров'я людини що працює інструментом.
- Використовуйте торцеві головки, спеціально розроблені для ударного гайковерта. Вони чорного кольору, більш міцні, а їх конструкція дозволяє працювати не пошкоджуючи головку гвинта або болта. Використання звичайних торцевих головок, може призвести до їх руйнування, що може стати причиною травм користувача. Перед використанням переконайтеся, що торцева головка не має видимих пошкоджень (тріщин, сколів) - використання пошкоджених торцевих головок категорично заборонено.
- Зміна конструкції викрутко-насадок або торцевих головок, а також використання знімних насадок і пристосувань, не передбачених для даного електроінструменту, забороняється.
- При роботі може виникати віддача (раптовий ривок електроінструменту), щоб уникнути негативних наслідків (наприклад, втрати рівноваги) міцно утримуйте електроінструмент в руках і зберігайте стійку позу.
- При обробці дрібних заготовок, власної ваги яких недостатньо для надійної фіксації, використовуйте спеціальні затиски пристосування.

Символи, що використовуються в інструкції

В інструкції використовуються нижченаведені символи, запам'ятайте їх значення. Правильна інтерпретація символів допоможе використовувати електроінструмент правильно і безпечно.

| Символ | Значення |
|--------|---|
| | Наклейка з серійним номером: CT ... - модель; XX - дата виробництва; XXXXXXX - серійний номер. |
| | Ознайомтесь з усіма вказівками з техніки безпеки та інструкціями. |
| | Носіть захисні окуляри. |

| Символ | Значення |
|--|--|
|  | Носіть захисні навушники. |
|  | Носіть пилозахисну маску. |
|  | Відключайте прилад від мережі перед проведенням монтажних і регулювальних робіт. |
|  | Напрямок руху. |
|  | Напрямок обертання. |
|  | Заблоковано. |
|  | Розблоковано. |
|  | Подвійна ізоляція / клас захисту. |
|  | Увага. Важлива інформація. |
|  | Знак, який засвідчує, що виріб відповідає основним вимогам директив ЄС та гармонізованим стандартам Європейського Союзу. |
|  | Не викидайте електроінструмент в побутове сміття. |

Призначення електроінструменту

Електроінструмент призначений для закручування і відкручування гайок і болтів.

У результаті застосування додаткових приладів і засобів, область застосування інструмента поширюється.

Елементи пристрою електроінструменту

- 1 Утримувач приналежності
- 2 Корпус
- 3 Вмикач / вимикач (з функцією реверсу)
- 4 Вентиляційні отвори
- 5 Гвинтова заглушка
- 6 Торцева головка *

* Приналежності

Перераховані, а також зображені приналежності, частково не входять у комплект постачання.

Монтаж та регулювання елементів електроінструменту

Перед проведенням усіх процедур електроінструмент обов'язково відключити від мережі.

Монтаж / демонтаж торцевої головки (див. мал. 1)

- Вставте торцевий гайковий ключ **6** в утримувач приналежності **1** і натисніть на нього для фіксації (див. мал. 1).
- Демонтаж проводьте в зворотній послідовності.

Введення у експлуатацію електроінструмента

Переконаєтесь в тім, що наявна напруга в мережі відповідає даним, зазначеним на приладовому щитку електроінструмента.

Вмикання / вимикання електроінструмента

Обертання вправо

Натисніть на верхню частину вмикача / вимикача **3** і утримуйте його в цьому положенні (див. мал. 2.1). Для виключення відпустіть вмикач / вимикач **3**.

Обертання вліво

Натисніть на нижню частину вмикача / вимикача **3** і утримуйте його в цьому положенні (див. мал. 2.2). Для виключення відпустіть вмикач / вимикач **3**.

Конструктивні особливості електроінструменту

Утримувач приналежності **1** з торцевою головою **6** приводиться в рух електродвигуном за допомогою зубчатої передачі і ударного механізму.

Процедура роботи складається з двох фаз: закручування і затягування (робота ударного механізму). Ударний механізм приводиться в дію, як тільки гвинтове з'єднання туго затискається, що приводить до навантаження на двигун, перетворюючи енергію

двигуна на рівномірні обертальні удари. При ослабленні гвинтів і гайок процес зворотний.

Обертальний момент залежить від тривалості ударів. Максимальний обертальний момент, що досягається, рівний сумі всіх окремих моментів, що досягаються при ударах. Максимальний обертальний момент досягається після тривалості ударів в 3-5 секунд. Після цього часу обертальний момент затягування зростає дуже слабо. Проте корпус редуктора значно нагрівається.



Результатом надмірного перегріву є знос всіх компонентів ударного механізму і велика витрата мастила.

Тривалість ударів повинна визначатися для кожного необхідного обертального моменту затягування. Слід завжди перевіряти досягнутий обертальний момент затягування за допомогою динамометричного ключа.

Рекомендації при роботі електроінструментом



При вставці торцевої головки в утримувач приналежності електроінструмент повинен бути вимкнений.

Обертальний момент залежить від наступних факторів:

- Характеристики міцності гвинтів / гайок.
- Тип основи (шайба, дискова пружина, ущільнення).
- Характеристики міцності скріплюється гвинтами / болтами матеріалу.
- Умови змащення гвинтового / болтового матеріалу.

Жорстка опора - для гвинтового з'єднання металу з металом з використанням шайб. Максимальний обертальний момент досягається після відносно невеликої тривалості ударів. Надмірно велика тривалість ударів призводить тільки до пошкодження електроінструменту.

Підпружинена опора - для гвинтового з'єднання металу з металом, при використанні пружинних шайб, дискових пружин, болтів або гвинтів / гайок з конічним вкладишем, а також при використанні подовжувачів.

М'яка опора - для гвинтових з'єднань, наприклад, металу з деревом або при використанні як основи свинцевих або фібрових шайб.

Для підпружинених, а також для м'яких опор максимальний обертальний момент досягається нижче, ніж для жорстких опор. Крім цього, потрібно помітно більша тривалість ударів.

Тривалість ударів повинна визначатися за допомогою практичних випробувань.

При температурах нижче 0 слід включити електроінструмент приблизно на 3 хвилини без навантаження для поліпшення властивостей мастила.

Обслуговування / профілактика електроінструмента

Перед проведенням усіх процедур електроінструмент обов'язково відключити від мережі.

Чищення електроінструменту

Обов'язковою умовою для довгострокової і безпечної експлуатації електроінструменту є вміст його в чистоті. Регулярно продувайте електроінструмент стислим повітрям через вентиляційні отвори 4.

Післяпродажне обслуговування

Відповіді на питання щодо ремонту та обслуговування вашого продукту Ви можете отримати в сервісних центрах. Інформацію про сервісні центри, схеми запчастин та інформацію по запчастинах Ви можете знайти за адресою: www.crown-tools.com.

Транспортування електроінструменту

- Не допускайте падіння упаковки, а також будь-якого механічного впливу на неї транспортуванні.
- При завантаженні / розвантаженні не використовуйте навантажувальну техніку що працює за принципом затиску упаковки.

Захист навколишнього середовища



Переробка сировини замість утилізації відходів.

Електроінструмент, додаткові принадлежности й упакування варто екологічно чисто утилізувати.

В інтересах чистосортної рециркуляції відходів деталі із синтетичних матеріалів відповідно позначені. Дійсний посібник з експлуатації надрукований на папері, виготовленій з вторсировини без застосування хлору.

Обновляється можливість внесення змін.

Українська

Қозғалтқыш құралдың сипаттамалары

| | | |
|---------------------------------|-----------------------|------------------------|
| Электр гайка бұрғышы | | СТ12018 |
| Қозғалтқыш құралдың коды | [220-230 В ~50/60 Гц] | 421630 |
| Номиналды қуаты | [Вт] | 900 |
| Қажетті қуат | [Вт] | 470 |
| Электр тогы кернеуі | 220-230 В [А] | 4.3 |
| Жүктемесіз жылдамдық | [мин ⁻¹] | 2100 |
| Айналдыру сәті | [Нм] | 320 |
| Соғу жиілігі | [мин ⁻¹] | 2700 |
| Бұрандалардың ең аз диаметрі | [мм] [дюйм] | M8 5/16" |
| Бұрандалардың ең үлкен диаметрі | [мм] [дюйм] | M24 15/16" |
| Құрал ұстағыш (сыртқы шаршы) | [мм] [дюйм] | 12,7x12,7 1/2"x1/2" |
| Салмағы | [кг] [фунт] | 3,5 7.72 |
| Қауіпсіздік класы | | □ / II |
| Дыбыс қысымы | [дБ(А)] | 102 |
| Акустикалық күші | [дБ(А)] | 113 |
| Өлшенетін тербеліс | [м/с ²] | 16,16 |

Шу туралы ақпарат



Дыбыс қысымы осетін болса, әрдайым құлақ қорғаушысын киіңіз 85 дБ(А).



ЕСКЕРТУ - Жарақат қаупін азайту үшін пайдаланушы пайдалану нұсқаулығын оқып шығуы керек!

Жалпы қауіпсіздік ережелері



ЕСКЕРТУ! Барлық қауіпсіздік туралы ескертулерді және барлық нұсқауларды оқып шығыңыз. Ескертулер мен нұсқауларды орындамау тоқ соғуына, өртке және / немесе ауыр жарақатқа әкелуі мүмкін.

Барлық ескертулер мен нұсқауларды болашақта анықтама алу үшін сақтап қойыңыз. Ескертулердегі "электр құрал" термині желіден жұмыс істейтін (сымды) электр құралын немесе батареядан жұмыс істейтін (сымсыз) электр құралын білдіреді.

CE Сәйкестік жөнінде мәлімдеме

Жеке жауапкершілікпен біз "Қозғалтқыш құралдың сипаттамалары" де сипатталған өнімнің 2006/42/ЕС ережелеріндегі барлық тиісті анықтамаларына өзгерістері менен бірге сәйкес екенін және төмендегі нормаларға сай екенін кепілдендіреміз: EN 60745-1, EN 60745-2-2.

Сертификаттау менеджері

Wu Cunzhen

Жұмыс аумағының қауіпсіздігі

• Жұмыс аумағын таза және жақсы жарықтандырылған күйде ұстаңыз. Ретсіз немесе күңгірт аумақтар сәтсіз жағдайларға әкеледі.

Merit Link International AG
Stabio, Швейцария, 17.10.2017

Қазақ тілі

• **Электр құралдарды жарылғыш атмосфераларда пайдаланбаңыз, мысалы, тұтанғыш сұйықтықтар, газдар немесе шаң бар жерде.** Электр құралдар шаңды немесе түтіндерді тұтандыруы мүмкін ұшқындарды тудырады.

• **Электр құралды пайдалану кезінде балаларды және маңайдағы адамдарды аулақ ұстаңыз.** Алаңдату басқаруды жоғалтуға әкелуі мүмкін.

Электр қауіпсіздігі

• **Электр құралдардың ашалары розеткаға сәйкес болуы керек.** Ашаны ешқашан ешбір түрде өзгертуге болмайды. Жерге қосылған электр құралдарымен бірге ешбір адаптер ашасын пайдалануға болмайды. Өзгертілмеген ашалар және сәйкес розеткалар тоқ соғу қаупін азайтады.

• **Құбырлар, жылытқыштар, ауқымдар және тоңазытқыштар сияқты жерге қосылған беттерге дененің тиюін болдырмаңыз.** Дененіз жерге қосылған болса, тоқ соғу қаупі артады.

• **Электр құралдарына жаңбырдың немесе ылғалды жағдайлардың әсерін тигізбеңіз.** Электр құралға кіретін су тоқ соғу қаупін арттырады.

• **Сымды дұрыс емес пайдалануға болмайды.** Сымды электр құралды ұстап жүру, тарту немесе розеткадан ажырату үшін ешқашан пайдаланбаңыз. Сымды жылудан, майдан, үшкір жиектерден немесе қозғалатын бөліктерден аулақ ұстаңыз. Зақымдалған немесе шатасқан сымдар тоқ соғу қаупін арттырады.

• **Электр құралды сыртта пайдаланғанда сыртта пайдалануға жарамды ұзартқыш сымды пайдаланыңыз.** Сыртта пайдалануға жарамды сымды пайдалану тоқ соғу қаупін азайтады.

• **Электр құралды ылғалды орында пайдалану керек болса, қалдық тоқтан қорғау құралын пайдаланып қуат беріңіз.** Қалдық тоқтан қорғау құралын пайдалану тоқ соғу қаупін азайтады.

• **ЕСКЕРТПЕ!** "Қалдық тоқтан қорғау құралы (RCD)" термині "жерге қысқа тұйықталу өшіргіші (GFCI)" немесе "жерге аққан кездегі тізбек ажыратқышы (ELCB)" терминімен ауыстырылуы мүмкін.

• **Ескерту!** Редуктордағы, қалқандағы және т.с.с. ашық металл беттерге ешқашан тимеңіз, өйткені металл беттерге тию электромагниттік толқындарға кедергі келтіріп, осылайша жарақаттарға немесе сәтсіз жағдайларға әкелуі мүмкін.

Жеке қауіпсіздік

• **Электр құралды пайдаланып жатқанда қырағы болыңыз, істеп жатқаныңызды қадағалаңыз және дұрыс ақылды пайдаланыңыз.** Электр құралды шаршап тұрғанда, я болмаса, есірткілердің, алкогольдің немесе дәрінің әсерінде болғанда пайдалануға болмайды. Электр құралдарын пайдалану кезінде бір сәт зейін бөлмеу ауыр жарақатқа әкелуі мүмкін.

• **Жеке қорғағыш жабдықты пайдаланыңыз.** Өрқашан кезді қорғау құралын киіңіз. Тиісті жағдайлар үшін пайдаланылатын шаң маскасы, сырғымайтын қауіпсіздік аяқ киімі, қатты қалпақ немесе естуді қорғау құралы сияқты қорғағыш жабық жарақаттарды азайтады.

• **Кездейсоқ іске қосылуды болдырмаңыз.** Құралды қуат көзіне және / немесе батареялар

жинағына қосу, көтеру немесе ұстап жүру алдында қосқыш өшірулі күйде екеніне көз жеткізіңіз. Электр құралды саусақты қосқышқа қойып ұстап жүру немесе қосқышы қосулы күйдегі электр құралдарына қуат беру сәтсіз жағдайларға әкеледі.

• **Электр құралын қосу алдында кез келген реттеу кілтін алыңыз.** Электр құралдың айналатын бөлігіне жалғанған күйде қалдырылған кілт жарақатқа әкелуі мүмкін.

• **Қатты жақындамаңыз.** Өрқашан тиісті қалыпты және теңгерімді сақтаңыз. Бұл күтпеген жағдайларда электр құралын жақсырақ басқаруға мүмкіндік береді.

• **Тиісті киімді киіңіз.** Бос киімді немесе зергерлік бұйымдарды кимеңіз. Шашты, киімді және қолғапты қозғалатын бөліктерден аулақ ұстаңыз. Бос киім, зергерлік бұйымдар немесе ұзын шаш қозғалатын бөліктерде тұрып қалуы мүмкін.

• **Шаңды шығарып алу және жинау құралдары қамтамасыз етілген болса, бұларды қосуды және тиісті түрде пайдалануды қамтамасыз етіңіз.** Шаң жинауды пайдалану шаңға қатысты қауіптерді азайтады.

• **Құралдарды жиі пайдаланудан алынған таныстықтың сізді масаттануға және құрал қауіпсіздігі принциптерін өлемеуге әкелуіне жол бермеңіз.** Абайсыз әрекет секундтың бір бөлімінде ауыр жарақаттауы мүмкін.

• **Ескерту!** Пайдалану кезінде электр құралдар электромагниттік өріс тудырады. Кейбір жағдайларда бұл өріс белсенді немесе пассивті медициналық имплантаттарға кедергі келтіруі мүмкін. Ауыр немесе өлімге әкелетін жарақатты болдырмау үшін медициналық имплантаттары бар адамдарға осы электр құралды пайдалану алдында дәрігермен және медициналық имплантат өндірушісімен кеңесу ұсынылады.

Электр құралды пайдалану және қуту

• **Психофизикалық немесе ақыл-ой қабілеттері төмен адамдар, сонымен бірге балалар бұл электр құралды тек қауіпсіздігіне жауапты адам қадағаласа немесе электр құралды пайдалану туралы нұсқаулар берсе, пайдалана алады.**

• **Электр құралға күш түсірмеңіз.** Жағдайға сай дұрыс электр құралын пайдаланыңыз. Дұрыс электр құралы өзі арналған жылдамдықпен жұмысты жақсырақ және қауіпсіздеу орындайды.

• **Қосқыш қоспаса және өшірмесе, электр құралды пайдалануға болмайды.** Қосқышпен басқару мүмкін емес кез келген электр құрал қауіпті және жөнделуі керек.

• **Кез келген реттеулерді жасау, қосалқы құралдарды ауыстыру немесе электр құралдарды сақтауға қою алдында ашаны қуат көзінен және / немесе батареялар жинағын электр құралдан ажыратыңыз.** Мұндай алдын-алуға арналған сақтық шаралары электр құралының кездейсоқ іске қосылуы қаупін азайтады.

• **Жұмыссыз тұрған электр құралдарын балалардан аулақ ұстаңыз және электр құралмен немесе осы нұсқаулармен таныс емес адамдарға электр құралын пайдалануға рұқсат етпеңіз.** Электр құралдар оқытыл-маған пайдаланушылардың қолдарында қауіпті болады.

- **Электр құралдарына техникалық қызмет көрсетіңіз.** Қозғалатын бөліктердің қате туралануы немесе тұрып қалуы, сынған бөліктер және электр құралдың жұмысына әсер етуі мүмкін кез келген басқа жағдай бар-жоғын тексеріңіз. Зақымдалса, пайдалану алдында электр құралын жөндеңіз. Көп сәтсіз жағдайларды нашар техникалық қызмет көрсетілетін электр құралдарды тудырады.
- **Кесу құралдарын өткір және таза күйде ұстаңыз.** Тиісті түрде техникалық қызмет көрсетілетін, үшкір кесу жиектері бар кесу құралдарының тұрып қалу ықтималдығы азырақ және оларды басқару оңайырақ.
- **Электр құралын, қосалқы құралдарды және құралдың кескіштерін, т.б. Осы нұсқауларға сай, жұмыс жағдайларын және орындалатын жұмысты ескере отырып пайдаланыңыз.** Электр құралды көрсетілгеннен басқа әрекеттер үшін пайдалану қауіпті жағдайға әкелуі мүмкін.
- **Тұтқаларды және ұстайтын беттерді құрғақ, таза және май емес күйде ұстаңыз.** Жылпылдақ тұтқалар және ұстайтын беттер күтпеген жағдайларда құралды қауіпсіз ұстауға және басқаруға мүмкіндік бермейді.
- Электр құралды пайдаланғанда қосымша тұтқаны дұрыс ұстаңыз. Бұл электр құралын басқарғанда пайдалы. Сондықтан дұрыс ұстау сәтсіз жағдайлардың немесе жарақаттардың қаупін азайтады.

Қызмет көрсету

- **Электр құралына білікті жөндеу маманы түпнұсқалық ауыстыру бөлшектерін пайдаланып қызмет көрсетуі керек.** Бұл электр құралының қауіпсіздігін сақтауды қамтамасыз етеді.
- Майлау және қосалқы құралдарды ауыстыру туралы нұсқауларды орындаңыз.

Арнайы қауіпсіздік туралы ескертулер

- **Кесу қосалқы құралы жасырын сымдарға немесе өзінің сымына тиюі мүмкін әрекетті орындау кезінде электр құралды оқшауланған ұстайтын беттерінен ұстаңыз.** Тоқ бар сымға тиген кесу қосалқы құралы электр құралдың ашық металл бөліктерінен тоқ өтуіне әкеліп, операторды тоқ соғуы мүмкін.
- **Қорғағыш құлаққапты киіңіз.** Шудың әсері есту қабілетінің жоғалуына әкелуі мүмкін.

Электр құралды пайдалану кезіндегі қауіпсіздік туралы нұсқаулар

- Электр құралын пайдалану кезінде зейін қою және қырағы болу керек. Шаршап тұрғанда немесе анестезия, алкоголь немесе дәрілердің әсерінде болсаңыз, электр құралды пайдаланбау керек.
- Құрал қозғалып жатқанда электр құралдың кездейсоқ іске қосылуын болдырмау үшін, саусақтарды ауыстырып-қосқыш түймеге қоймау керек.
- Бурандаларды бекіту кезінде электр құралды пайдаланбай тұрып, бурандаларға сәйкес басқа құрамдастар толығымен бекітілгеніне және сенімді екеніне көз жеткізу керек. Ауыстырып-қосқышты қауіпсіз күйге орнатып іске қосып, электр құрал 30

секунд бойы жұмыс істеуі керек. Кез келген қатты діріл немесе басқа мәселе болса, мұны дереу тоқтату керек және техникалық қызмет көрсетудің өткізілуін жоспарлау керек.

- **Бастамай тұрып жасырын сымдардың, су және газ құбырларының орнын анықтау керек.** Электр сымдары немесе жалпы коммуналдық жүйелер зақымдалған жағдайда (мысалы, бұрап жатқан бұрандамен) қызметкерлердің өміріне және денсаулығына ауыр салдарлар туындауы мүмкін.
- **Көдімгі бүйірлік кілт муфтасын пайдаланбаңыз, соққылы кілтке арналған муфтаны пайдаланыңыз.** Соққылы кілт муфтасы қара, ауыр және бұранда болтын зақымдамайды. Соққылы кілтке арналған муфтаның зақымдалуы оңай, әрі ол оңай жарақаттайды. Пайдалану алдында муфтада сынықтар немесе басқа көрінетін зақым жоқ екеніне көз жеткізіңіз.
- **Бұрауыш биталарының немесе бүйірлік кілттердің құрылысын өзгертуге, сонымен бірге, осы электр құрал үшін ажыратылатын саптамаларды немесе қосалқы құралдарды пайдалануға тыйым салынады.**
- **Пайдалану кезінде кері тебу (электр құралдың кенет жүлқуы) орын алуы мүмкін; қауіпті жағдайларды (мысалы, тепе-теңдікті жоғалтуды) болдырмау үшін электр құралды қолдарда қатты ұстаңыз және тұрақты қалыпты сақтаңыз.**
- **Өз салмағы қажет бекітуді қамтамасыз етуге жеткіліксіз шағын бос бөліктерді өңдегенде арнайы қысқыш бекіткіштерді пайдаланыңыз.**

Нұсқаулықта қолданылатын таңбалар

Пайдалану нұсқаулығында төменде берілген таңбалар қоладнылады, олардың мағынасын есте сақтаңыз. Таңбаларды дұрыс түсіндіру электр құралды дұрыс және қауіпсіз қолдануға көмектеседі.

| Таңба | Мағына |
|-------|---|
| | Сериялық нөмір бар жапсырма: СТ ... - үлгі; XX - өндіру күні; XXXXXXX - сериялық нөмір. |
| | Қауіпсіздік техникасы туралы барлық нұсқаулармен және нұсқаулармен танысыңыз. |
| | Қорғағыш көзілдірікті киіңіз. |
| | Қорғағыш құлаққапты киіңіз. |
| | Шаңнан қорғайтын масканы киіңіз. |

| Таңба | Мағына |
|--|---|
|  | Монтаждық және реттеу жұмыстарын өткізу алдында электр құралды желіден өшіріңіз. |
|  | Қозғалыс бағыты. |
|  | Айналу бағыты. |
|  | Бұғатталған. |
|  | Бұғаттаудан шығарылған. |
|  | Қос оқшаулау / қорғау сыныбы. |
|  | Назар аударыңыз. Маңызды ақпарат. |
|  | Бұйым ЕО директивалараның негізгі талаптарына және Еуропалық Одақтың үйлестірілген стандарттарына сай екенін куәландыратын белгі. |
|  | Электр құралды тұрмыстық қоқысқа лақтырмаңыз. |

Қозғалтқыш құралын қолдану салалары

Электр құрал гайкалар мен болттарды бекемдеуге және босатуға арналған. Қосымша жарақтарды іске қосып бұрғыны қолдану салаларын арттыруға болады.

Қозғалтқыш құралдың құрамдастары

- 1 Құрал ұстағыш
- 2 Тұрқы
- 3 Қосу / өшіру қосқышы (кері функция)
- 4 Ауа алмасатын тесіктер
- 5 Ирек оймалы тығын
- 6 Бүйірлік кілт *

* Қосымша құрамдастар

Кейбір суреттелген немесе сипатталған құрамдастар стандарттық жабдықтау ретінде қосылмаған.

Қозғалтқыш құралдың бөлшектерін орнату және жөнге салу

Қозғалтқыш құралмен кез кезлген жұмысты бастау алдында оны токтан ажыратып тастаңыз.

Бүйірлік кілтті орнату / ажырату (1-сур. қараңыз)

- Бүйірлік кілтті **6** құрал ұстағышына **1** салып, бекіту үшін басыңыз (1-сур. қараңыз).
- Бөлшектеу операциялар кері ретпен орындаңыз.

Қозғалтқыш құралды алғашқы рет іске қосу

Әрдайым дұрыс электр кернеуін қолданыңыз: Қозғалтқыш құралдың электр кернеуі құралдың жеке мәліметтері бар тілімшеде көрсетілген электр кернеуіне сәйкес болуы керек.

Қозғалтқыш құралды қосу / өшіру

Оңға бұру

Төменгі жақта қосу / өшіру қосқышын **3** (2.1 сур. қараңыз) басып тұрыңыз, өшіру үшін оны жіберіңіз.

Солға бұру

Жоғарғы жақта қосу / өшіру қосқышын **3** (2.2 сур. қараңыз) басып тұрыңыз, өшіру үшін оны жіберіңіз.

Қозғалтқыш құралдың алғашқы рет іске қосу

Құрал ұстағыш **1** пен бүйірлік кілтті **6** электр қозғалтқыш беріліс және соғу механизмі арқылы жүргізеді.

Жұмыс рәсімі екі кезеңге бөлінеді: бұрау және бекемдеу (жұмыс кезіндегі соғу механизмі). Соғу механизмі бұралған қосылым тығыз болғанда белсендіріледі, осылайша, қозғалтқышқа жүктеме түсіріліп, қозғалтқыш қуаты тұрақты айналмалы соғуларға түрлендіріледі. Бұрандаларды немесе гайкаларды босату кезінде бұл үдеріс кері ретпен орындалады.

Айналдыру сәті соғу ұзақтығына байланысты. Ең үлкен жеткен айналдыру сәті соғу арқылы жеткен барлық жекелеген айналдыру сәті қосындысынан шығады. Ең үлкен айналдыру сәтіне 3-5 секунд соғу ұзақтығынан кейін қол жеткізіледі. Осы ұзақтықтан кейін бекемдеудің айналдыру сәті тек аз ғана мөлшерге арттырылады. Дегенмен, трансмиссия корпусы айтарлықтай қызады.



Артық қызудың салдарлары - балға механизмі құрамдастарының барлығының қатты тозуы және майлағыштың көп қажет етілуі.

Соғу ұзақтығы әр қажет бекемдеу айналдыру сәті үшін анықталады. Іс жүзінде қол жеткізілетін бекемдеу айналдыру сәтін айналдыру сәті кілтпен әрқашан тексеру керек.

Қозғалтыш құралды қолданубойынша ұсыныстар



Бүйірлік кілтті құрал ұстағышқа тек электр құрал өшірулі кезде қолданыңыз.

Айналдыру сәті келесі факторларға байланысты:

- Бұрандалардың / гайкалардың күш сипаттары.
- Аралық қабат түрі (шайба, диск серіппесі, тығыздағыш).
- Бұралып / болтпен бекітіліп жатқан материалдың күш сипаттары.
- Бұранда / болт қосылымындағы майлау жағдайлары.

Қатты отырғыш - шайбалардың көмегімен металға-металл бұранда қолданыстары үшін берілген. Салыстырмалы түрде қысқа соғу ұзақтығынан кейін ең көп айналдыру сәтіне жетесіз. Қажет емес ұзақ соғу ұзақтығы тек машинаны зақымдайды.

Серіппелі отырғыш - металға-металл бұранда қолданыстары үшін берілген, дегенмен, серіппелі шайбаларды, диск серіппелерін, өзектерді немесе коңустық отырғышы бар бұрандаларды / гайкаларды пайдаланып, сонымен бірге, ұзартқыштарды пайдаланғанда.

Жұмсақ отырғыш - бұранда қолданыстары үшін берілген, мысалы, металды ағашқа немесе аралық қабат ретінде қорғасын шайбаларды немесе талшықты шайбаларды пайдаланғанда. Серіппелі отырғыш, сонымен бірге, жұмсақ отырғыш үшін ең үлкен бекемдеудің айналдыру сәті қатты отырғыштікінен төменірек. Сондай-ақ, ұзағырақ соғу ұзақтығы қажет.

Соғу ұзақтығы тәжірибе жүзінде тексеру арқылы анықталады. Қату нүктесінен төмен температураларда майлау мүмкіндігін жақсарту үшін машинаны жүктемесіз шамамен 3 минут бойы жұмыс істетіңіз.

Қозғалтқыш құралды жөндеу / алдын алу шаралары

Қозғалтқыш құралмен кез кезлген жұмысты бастау алдында оны токтан ажыратып тастаңыз.

Қозғалтқыш құралды тазалау

Құрылғыны ұзақ уақыт қолданудың маңызды талабы - оны таза ұстау. Құрылғыны әрдайым сығылған ауамен ауа алмасатын тесіктерінен үрлеп тазартып тұрыңыз 4.

Сатудан кейінгі қызмет және өтінім бойынша қызмет

Біздің сатудан кейінгі қызмет өнімге техникалық қызмет көрсетуге және оны жөндеуге, сонымен бірге, қосалқы бөлшектерге қатысты сұрақтарыңызға жауап береді. Сондай-ақ, сервистік орталықтар туралы ақпаратты, бөліктердің диаграммаларын және қосалқы бөлшектер туралы ақпаратты мына бетте табуға болады: www.crown-tools.com.

Электр құралдарын тасымалдау

- Тасымалдау кезінде қаптамаға ешбір механикалық әсерді тигізуге болмайды.
- Жүкті түсіргенде / жүктегенде қысып орау қағидатымен жұмыс істейтін ешбір технология түрін пайдалануға рұқсат етілмеген.

Қоршаған ортаны сақтау



Шикізатты қоқыс ретінде пайдаға асырудың орнына қайта қолдануға жіберіңіз.

Электр құралы, жарақаттар және бума қоршаған ортаға зиянсыз қайта қолдануға жіберілуі керек.

Пластикалық компоненттер сыныпталған қайта қолдану үшін белгіленген.

Бұл нұсқаулар қайта қолданылатын хлорин қосылмаған қағазда басып шығарылған.

Өндіруші өзгерістер енгізуі мүмкін.

Қазақ тілі

