



P.I.T.[®]

Progressive Innovative Technology



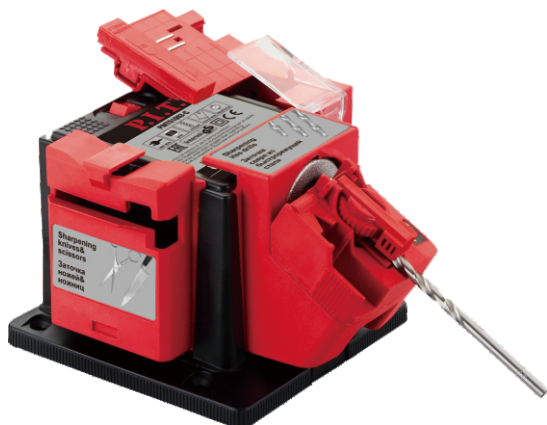
PRODUCT PASSPORT
USER'S MANUAL



ПАСПОРТ ИЗДЕЛИЯ ИНСТРУКЦИЯ
ПОЛЬЗОВАТЕЛЯ

MULTI-TASK SHARPENER

МНОГОФУНКЦИОНАЛЬНАЯ ТОЧИЛКА



EAC

PMTS1003-C

PROGRESSIVE INNOVATIONAL TECHNOLOGY

ПРОГРЕССИВНЫЕ ИННОВАЦИОННЫЕ ТЕХНОЛОГИИ



GENERAL SAFETY PRECAUTIONS

- Always check that the mains voltage corresponds to the voltage indicated on the tool nameplate.
 - This product has double insulation. Therefore, grounding is not required.
 - Regularly check the power cord and plug for damage. Refer to a qualified electrician for replacement if necessary.
 - Immediately discard the old power cord or plug after replacement.
 - It is not recommended to use excessively long extension cords.
 - If you use an extension cord on the coil, it must be fully unwound.
 - It is strictly forbidden to direct the electric spray gun nozzle at people or animals. Avoid spraying paint on the skin.
 - It is allowed to use paints and solvents at which temperature of ignition is not lower than 32°C.
 - Work only in well ventilated areas.
 - It is not recommended to operate the spray gun without the bell.
 - It is forbidden to work with the spray gun in areas where there is a possibility of fire or explosion.
 - It is recommended that you carefully study the operating room for signs of danger before you commence work.
 - Sprayed paints can be life threatening. Be sure to carefully examine the markings on the paint can.
 - Wear safety goggles and a paint mask or respirator when working.
 - It is recommended to work in protective headphones.
 - Keep the electric spray gun, paint tank and nozzle clean.
 - Do not spray paint near fire sources.
 - It is strictly forbidden to smoke while working.
 - Carefully read the recommendations of the paint manufacturer for its dilution.
 - Before filling the paint tank or clean the nozzle, disconnect the appliance from the power supply.
- Unplug the electric spray gun immediately if:**
- You have detected a failure or malfunction in the power cable.
 - In case of breakage of the on/off control.
 - In case of smoke or smell of burnt insulation.

Specifications

Motor	220V~50Hz, 65Watts
Free Speed	6700RPM
Wheel Diameter	2" – 48MM
Max Drill Diameter	3/8" – 10MM
Min Drill Diameter	7/67" – 3MM
Net Weight	1.65KGS

Save This Manual

You will need the manual for the safety warnings and precautions, assembly instructions, operating and maintenance procedures, parts list and diagram. Keep the manual in a safe and dry place for future reference.

Safety Warnings And Precautions

When using electrical tools, basic safety precautions should always be used including the following:

Unplug from outlet when not in use, before putting on or taking off any parts and before cleaning.

To protect against electrical shock, do not immerse cord, plug or appliance in water or any other liquid.

To reduce the risk of unintentional starting, make sure that the switch is in the Off position before plugging in.

*Do not operate any product with a damaged cord or plug, if the product malfunctions or it is dropped or damaged in any way.

*Always check for damaged parts before operation. Damaged parts should be properly repaired and replaced.

*Do not use in dangerous environment or expose to damp or wet conditions.

*Keep your working area well lit.

*Do not let the cord hang over the edge of table or counter or touch hot surfaces.

*Do not use product or attachments for other than intended purpose.

*Do not leave the grinding wheel unattended while it is operating.

*Keep all non-users a safe distance from the work area, keep out of children at all times.

*Grinding generates sparkes-keep away all flammable substances and materials.

*Never touch the moving grinding wheel.

*The motor is specially rated for intermittent use-maximum 15 minutes continuous use.

*Do not attach modules when the grinding wheel is moving.

*Do not use the grinding wheel without a module in place.

*Before removing a module, switch off on the Power Unit and allow the grinding wheel to come to a stop.

USER PRECAUTIONS

Remove all loose clothing, neckties, rings, bracelets and other jewelry that may get caught in moving parts.

Non-slip footwear is recommended.

Wear protective hair covering to contain long hair.

Ear muffs and gloves are recommended.

Always use safety glasses. Note: Everyday eye glasses do not contain impact resistant lenses-they are NOT safety glasses.

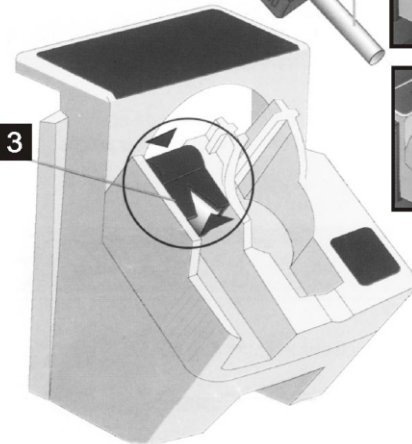
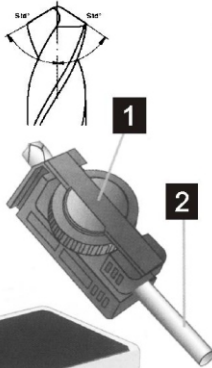
Always use face or dust masks if grinding operation is dusty.

CARE AND CLEANING

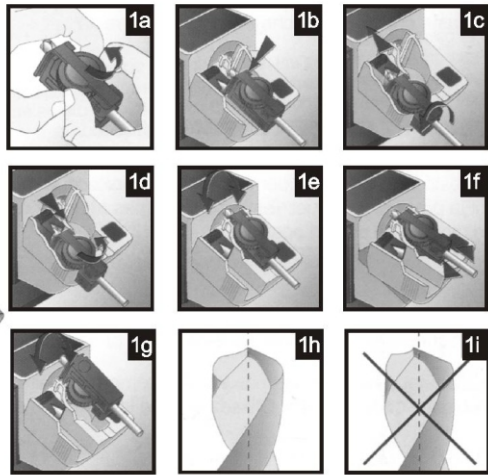
Before cleaning, disconnect from the mains.
Keep clean and free from oil and grease.
Store in dry conditions.

High Speed Steel Drill Sharpener

- 1** Clamp
- 2** HSS Drill bits
- 3** 'V' Guide



SHARPENING HSS DRILL BITS



Max. drill diameter: 3/8" / 10mm



Mln. drill diameter: 7/64" / 3mm



Sharpens all high speed steel drill bits from 7/64" (3.1mm) to 3/8" (10mm)
Unique "True Point" action ensures accurate finish
Precisely locates high speed steel drills for correct sharpening angles
Re-sharpens broken drill bits

SHARPENING HSS BITS

1. Slide module, labeled high speed steel drill sharpener onto the Power Unit.
2. Remove the clamp from the clamp holder and insert the drill bit to be sharpened (1a). Tighten the clamp lightly

- to leave the drill bit still free to move.
- Place the clamp containing your drill bit into the setting slot, using the grooves in the side to lower it in correctly (1b).
 - Move the drill bit forward up so that it lays in the “V” guide and touches the metal end stop (1c).
 - Turn the drill bit until the V guide fully drops over it (1c)-all four drill bit corners should now be touching the V guide sides.
 - Ensure that the drill and holder are fully down in the setting slot. With the drill bit in this position, tighten the clamping ring(1d).
 - Lift up the “V” guide and remove the clamp and drill bit.
 - Transfer the clamp holder from side to side, securing with light finger pressure (1f).
 - Switch the Power Unit on.
 - Move the clamp holder from side to side,securing with light finger pressure (1f).
 - Remove the drill bit and holder and turn over (1g). Repeat No.11.
 - Check the leading edge of both flutes are equally sharp. They should meet exactly in the middle as in (1h),not (1i).
 - Switch the Power Unit off. Before removing the module, ensure the grinding wheel has stopped.

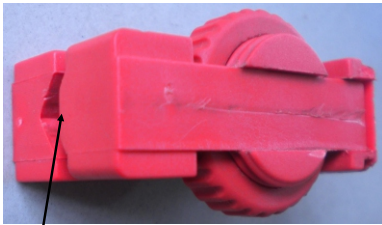
CLAMPING MEANS OF HSS DRILL BITS FROM ϕ 3 to ϕ 3.5

- Clamping means of HSS drill bits from ϕ 3.5 to ϕ 10. See below figure.



Stepped surface upward, and plane face the HSS drill bits.

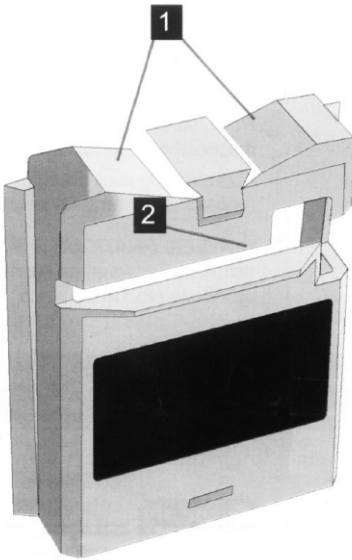
- Clamping means of HSS drill bits from ϕ 3 to ϕ 3.5. See below figure.



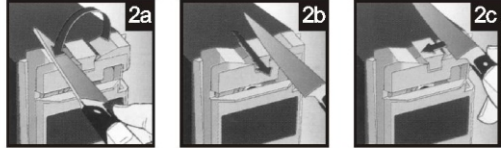
Loose the locknut, then turn around the locknut and the clamp with 180° which show the stepped surface downward. In other words, the sidestep face the drill bits.

Knife & Scissor Sharpener

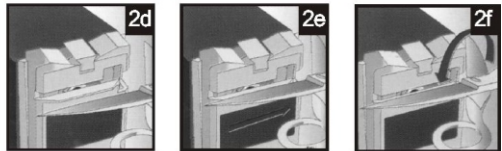
- 1** Knife Sharpening Slots
- 2** Scissor Sharpening Slot



SHARPENING KNIVES

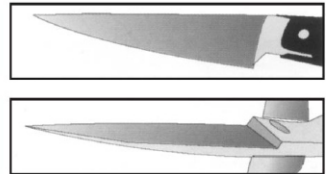


SHARPENING SCISSORS



This module is suitable for all straight edged, household knives and scissors only.

Do not use serrated edged blades.



Sharpens all straight edged knives & scissors.
 Unique top for sharpening knives.
 Precisely angled slot for sharpening scissors.

SHARPENING KNIVES

1. Slide module, labeled Knife & Scissor Sharpener on to the Power Unit.
2. Switch the Power Unit on.
3. Hold the knife handle towards you and insert the handle end of the blade into guide slot (2a).
4. As soon as the blade touches the grinding wheel, draw it with light steady pressure across the wheel to the tip- then remove. Do not press hard (2b).
5. Insert the second side of the blade into the other top guide slot (2c) and repeat #4.
6. Repeat sharpening each side in turn until a clean sharp edge is attained.
7. Switch the Power Unit off. Before removing the module, ensure that the grinding wheel has stopped.

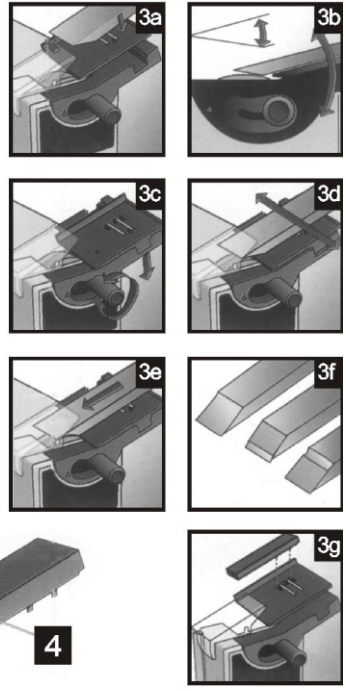
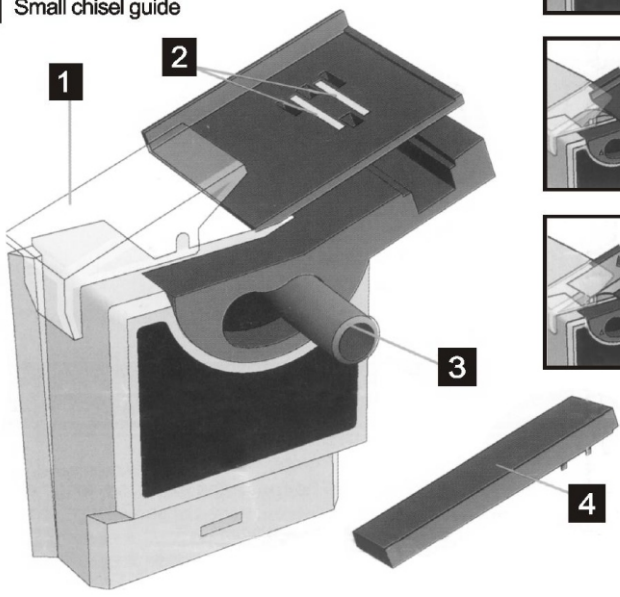
SHARPENING SCISSORS

1. Slide module. Labeled Knife & Scissor Sharpener, onto the Power Unit.
2. Switch the Power Unit on.
3. Open the scissors fully.
4. Slide the first scissor blade through the front guide slot (2d)-keep the pivot of the scissors and other blade to Right hand side.
5. Draw the blade across the grinding wheel from pivot to tip. Use a light steady pressure, do not press too hard (2e).
6. Remove and turn scissors over to sharpen the second blade (2f)-keep the pivot to the right and sharpen from
7. Repeat if necessary, until clean sharp edges are achieved.
8. Switch the Power Unit off. Before removing the module, ensure that the grinding wheel has stopped

Chisel & Plane Sharpener

SHARPENING CHISELS & PLANE BLADES

- 1** Protective shield for added safety
- 2** Powerful integral magnet to keep blade secure
- 3** Adjustable grinding angle from 20° to 40°
- 4** Small chisel guide



Regrinds Chisel & Plane blades up to 2" (50mm) wide
 Adjustable grinding angle from 20° - 40°
 Powerful integral magnet to keep blade secure
 Protective shield for added safety

SHARPENING BLADES

1. Slide Chisel & Plane Sharpener Power Unit.
2. Place the blade against the back lip of the plate (3a). The magnet helps hold in place.
3. The sharpening angle must match the existing beveled angle on the blade tip. Adjust, if necessary.
4. To alter the angle, loosen the angle adjusting knob (3c), adjust the plate angle-then tighten.
5. Make sure the blade edge touches the grinding wheel, then switch the Power Unit on.
6. Slide the blade and plate with light steady pressure back and forth across the grinding wheel in a continuous Motion (3d). Do not hold the blade stationary-this causes irregular sharpening.
7. Gradually adjust the blade down the plate while sharpening (3e). Do not press hard-grind gradually, repeating the step.
8. Remove the blade and make sure the beveled edge and tip are evenly sharp. If not, adjust the grinding angle. It is important that the sharpening angle matches the existing beveled angle of the blade. This avoids Removing too much metal unnecessarily and keeps plane blades at their optimum shaving angle (3f).
9. When sharpening thin chisel blades, place the small chisel guide onto the plate to act as a spacer and sharpen as before (3g).
10. Switch the Power Unit off. Before removing the module, ensure the grinding wheel has stopped.
11. Recommend that after grinding, the blade tip is honed on an oil stone.

▲ ATTENTION:

When the machine is not in use, take off the following accessories:

#15 Fixing chuck for drill,

#25 Fixing shelf for scissors,

#26 Plane blade holder

TERMS OF WARRANTY SERVICE

1. This Warranty Certificate is the only document that confirms your right to free warranty service. Without presenting this certificate, no claims are accepted. In case of loss or damage, the warranty certificate is not restored.
2. The warranty period for the power tool is 12 months from the date of sale, during the warranty period the service department eliminates manufacturing defects and replaces parts that have failed due to the fault of the manufacturer free of charge. In the warranty repair, an equivalent operable product is not provided. Replaceable parts become property of service providers.

P.I.T. is not liable for any damage that may be caused by operation of the electric machine.

3. Only clean tool accompanied with the following duly executed documents: this Warranty Certificate, Warranty Card, with all fields filled out, bearing the stamp of the trade organization and the signature of the buyer, shall be accepted for warranty repair.

4. Warranty repair is not performed in the following cases:

- in the absence of a Warranty Certificate and a Warranty Card or their incorrect execution;
- with failure of both a rotor and a stator of the electric engine, charring or melting of primary winding of the welding machine transformer, charging or starting-charging device, with internal parts melting, burn down of electronic circuit boards;
- if a Warranty Certificate or a Warranty Card does not correspond to this electric machine or to the form established by the supplier;
- upon expiration of the warranty period;
- at attempts of opening or repair of the electric machine outside the warranty workshop; making constructive changes and lubrication of the tool during the warranty period, as evidenced, for example, by the creases on the spline parts of the fasteners of non-rotational parts.
- when using electric tools for production or other purposes connected with making a profit, as well as in case of malfunctions related to instability of the power network parameters exceeding the norms established by GOST;
- in the events of improper operation (use the electric machine for other than intended purposes, attachments to the electric machine of attachments, accessories, etc. not provided by the manufacturer);
- with mechanical damage to the case, power cord and in case of damages caused by aggressive agents and high and low temperatures, ingress of foreign objects in the ventilation grids of the electric machine, as well as in case of damage resulting from improper storage (corrosion of metal parts);
- natural wear and tear on the parts of the electric machine, as a result of long-term operation (determined on the basis of the signs of full or partial depletion of the specified mean life, great contamination, presence of rust outside and inside the electric machine, waste lubricant in the gearbox);
- use of the tool the purposes for other than specified in the operating instructions.
- mechanical damages to the tool;
- in the event of damages due to non-observance of the operating conditions specified in the instruction (see chapter "Safety Precautions" of the Manual).
- damage to the product due to non-observance of the rules of storage and transportation.

Preventive maintenance of electric machines (cleaning, washing, and lubrication, replacement of anthers, piston and sealing rings) during the warranty period is a paid service.

The service life of the product is determined by the manufacturer and is 2 years from the date of manufacture,

The owner is notified of any possible violations of the above terms of warranty service upon completion of diagnostics in the service center.

The owner of the tool entrusts the diagnostic procedure to be conducted in the service center in his absence.

Do not operate the electric machine when there are signs of excessive heat, sparking, or noise in the gearbox. To determine the cause of the malfunction, the buyer should contact the warranty service center.

Malfunctions caused by late replacement of carbon brushes of the engine are eliminated at the expense of the buyer.

5. The warranty does not cover:

- replacement of parts (accessories and furniture), for example: accumulators, disks, knives, drills, bores, cartridges, chains, sprockets, collet clamps, buses, tensioning elements and fasteners, trim tabs, pads of grinders and tape machines, etc.
- quick-wear parts, for example: carbon brushes, drive belts, glands, protective covers, guide rollers, guides/rails, rubber seals, bearings, timing belts and wheels, shafts, brake band, ratchet wheels and starter cables, piston rings, etc. Replacing them during the warranty period is a paid service.
- power cords, in case of insulation damage, power cords are subject to mandatory replacement without the consent of the owner (paid service),
- casing of machine.

P.I.T. WARRANTY CERTIFICATE

Product Name _____

Product Number

Place of Seal

Serial Number

Sale Date _____

Trade Organization Name _____

Dear customer!

Thank you for purchasing the P.I.T tool, and we hope that you will be satisfied with your choice. In the process of manufacturing the P.I.T tools pass multilevel quality control, if nevertheless your product will need maintenance, please contact the authorized P.I.T service centers.

Attention!

When buying, ask a seller to check the completeness and operability of the tool, to fill out the Warranty Certificate, the Warranty Card (the boxes shall be filled out by a seller) and to affix the seal of the trade organization in the Guarantee Certificate and the Warranty Card.

Warranty

By this Warranty Certificate, P.I.T. company guarantees the absence of defects of the production nature.

In the event any of the above defects are detected during the warranty period, the specialized P.I.T. service centers shall repair the product and replace the defective spare parts free of charge.

The warranty period for P.I.T. electric machines is 12 months from the date of sale.

“The warranty maintenance terms acknowledged and accepted. The operability and completeness of the product are checked in my presence. No claims on quality and appearance.”

Buyer’s Signature _____ Surname (legibly) _____

Phone _____

ОБЩИЕ МЕРЫ БЕЗОПАСНОСТИ

- Всегда проверяйте соответствие напряжения сети питания напряжению, указанному на шильдике инструмента.
 - Данное изделие имеет двойную изоляцию. Поэтому заземление не требуется.
 - Регулярно проверяйте шнур питания и вилку на предмет повреждений. При необходимости заменить обратитесь к квалифицированному электрику.
 - Немедленно выбрасывайте старый шнур питания или вилку после замены.
 - Не рекомендуется использовать чрезмерно длинные удлинители шнура питания.
 - Если Вы используете удлинитель на катушке, то он должен быть полностью размотан.
 - Строжайше запрещается направлять сопло электрического распылителя на людей или животных. Избегайте распыления краски на кожу.
 - Разрешается использовать краски и растворители, у которых температура возгорания не ниже 32°C.
 - Работайте только в хорошо вентилируемых помещениях.
 - Не рекомендуется эксплуатировать распылитель без раструба.
 - Запрещается работать с распылителем в помещениях, где есть вероятность возгорания или взрыва.
 - Рекомендуется внимательно изучить рабочее помещение на предмет возникновения опасности перед тем, как приступить к работе.
 - Распыляемые краски могут быть опасны для жизни. Обязательно внимательно изучите маркировку на банке с краской.
 - Во время работы обязательно наденьте защитные очки, а также малярную маску или респиратор.
 - Рекомендуется работать в защитных наушниках.
 - Следите за чистотой электрического распылителя, резервуара для краски и сопла.
 - Запрещается распылять краску рядом с источниками огня.
 - Строжайше запрещено курить в процессе работы.
 - Внимательно прочтите рекомендации производителя краски по ее разбавлению.
 - Перед тем, как заполнять резервуар для краски или чистить сопло, отключите изделие от сети питания.
- Немедленно отключите электрический распылитель от сети, если:**
- Вы обнаружили поломки или неисправности в кабеле электропитания.
 - При поломке выключателя.
 - При появлении дыма или запаха горелой изоляции.

1. Описание оборудования:

Многоцелевой заточный станок предназначен для заточки сверл, ножей, ножниц и лезвий.

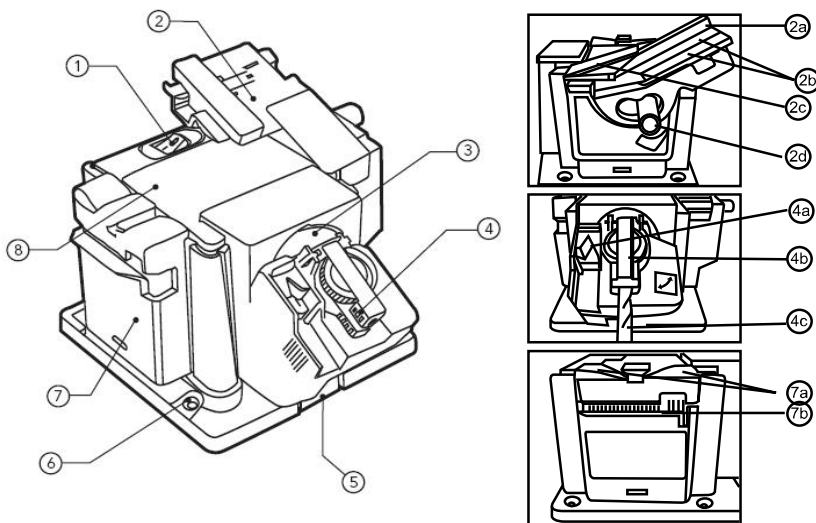
Изделия под торговой маркой **Sturm!** постоянно совершенствуются и улучшаются. Поэтому технические характеристики и дизайн могут меняться без предварительного уведомления. Приносим Вам наши глубочайшие извинения за возможные причиненные этим неудобства.

Внимание! Электроинструменты относятся к бытовому классу электроинструмента. Внимательно прочтите данную инструкцию! После непрерывной работы в течение 15-20 минут необходимо выключить электроинструмент, возобновить работу можно через 5 минут! Не перегружайте мотор электроинструмента.



ВНИМАНИЕ! ПЕРЕД ИСПОЛЬЗОВАНИЕМ ВНИМАТЕЛЬНО ОЗНАКОМЬТЕСЬ!

2. Внешний вид.



- 1. Выключатель
- 2. Блок заточки стамесок, зубил и лезвий
- 2a. Узкая направляющая стамесок и зубил
- 2b. Магниты
- 2c. Защита

- 4b. Узел заточки сверл
- 4c. Сверло (не входит в комплект)
- 5. Фиксатор блока
- 6. Монтажное отверстие
- 7. Блок заточки ножей и ножниц
- 7a. Щель для заточки ножей
- 7b. Щель для заточки ножниц
- 8. Силовой блок

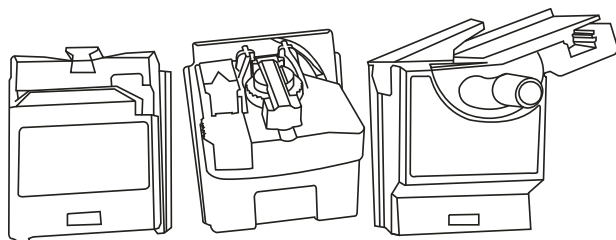
- 2d. Ручка регулировки угла
 3. Шлифовальный круг
 4. Блок заточки сверл
 4a. V-образная направляющая

3. Технические характеристики

Потребляемая мощность	65Вт
Напряжение сети	220В~/50Гц
Число оборотов на холостом ходу	6700об/мин
Зернистость шлифовального круга	2" – 48мм
Заточка зубил&лезвий шириной	3/8" – 10мм
Минимальный диаметр сверла	7/67" – 3мм
Масса	1.65кг

4. Комплектность поставки:

1. Блок заточки сверл.
2. Блок заточки ножей и ножниц.
3. Блок заточки стамесок, зубил и лезвий



5. Правила по технике безопасности.

Важно!

Перед каждым использованием (!) и периодически во время работы пользователь обязан:

- проводить визуальный осмотр инструмента,
- проверять общее состояние инструмента,
- проверять целостность инструмента, аксессуаров и защитных приспособлений к нему,
- проверить надежность креплений узлов, насадок и т.п., затяжки болтов и т.п.,
- отсутствия иных повреждений (в т.ч. течи) или иных отклонений от нормы.

При обнаружении – устранить недостатки до начала использования.

Использование инструмента, имеющего повреждения или ослабленные крепежные элементы – запрещено и опасно(!), в связи с возможностью получения травмы (!).

Производитель не несет ответственность за последствия и ущерб, причиненный вследствие использования инструмента с указанным выше отклонениями.

Общие Правила Безопасности при Работе с Электроинструментом

Внимание! Электроинструменты являются оборудованием повышенной опасности. Пользуясь электроинструментом, чтобы не подвергаться опасности поражения током, травмы или возникновения пожара, следует СТРОГО соблюдать следующие основные правила техники безопасности. Прочитайте и запомните эти указания до того, как приступите к работе с электроинструментом. Храните указания по технике безопасности в надёжном месте.

1. Рабочее Место

Содержите рабочее место в чисте и хорошо освещенным.

Загроможденные плохо освещенные рабочие места являются причиной травматизма.

Не используйте электроинструменты во взрывоопасных помещениях, таких, где присутствуют огнеопасные жидкости, газы, или пыль. Электроинструменты создают искры, которые могут привести к возгоранию пыли или пара.

Держите детей, и посетителей на безопасном расстоянии от работающих электроинструментов.

Не отвлекайтесь – это может вызвать потерю контроля при работе и стать причиной травмы.

2. Электробезопасность

Перед включением проверьте, соответствует ли напряжение питания Вашего электроинструмента сетевому напряжению; проверьте исправность кабеля, штепселя и розетки, в случае неисправности этих частей дальнейшая эксплуатация запрещается.

Электроинструменты с двойной изоляцией не требуют подключения через розетку с третьим заземленным проводом. Для электроинструментов без двойной изоляции подключение через розетку с заземленным проводом обязательно.

Избегайте контакта тела с заземленными поверхностями типа труб, радиаторов, печей и холодильников. Риск удара током резко возрастает, если ваше тело соприкасается с заземленным объектом. Если использование электроинструмента во влажных местах неизбежно, ток к электроинструменту должен подаваться через специальное устройство-прерыватель, отключающее электроинструмент при утечке. Резиновые перчатки электрика и специальная обувь далее увеличат вашу личную безопасность.

Не подвергайте электроинструменты воздействию дождя или влажным условиям. Вода, попавшая в электроинструмент, значительно увеличивает риск удара током.

Аккуратно обращайтесь с электрошнуром. Никогда не используйте шнур, чтобы нести электроинструменты или тянуть штепсель из розетки. Держите шнур вдали от высокой температуры, масляных жидкостей, острых граней или движущихся частей. Замените поврежденные шнуры немедленно. Поврежденные шнуры увеличивают риск удара током.

При действии электроинструмента вне помещений, используйте электроудлинители, специально для этого предназначенные.

3. Личная Безопасность

Будьте внимательны, постоянно следите за тем, что вы делаете, и используйте здравый смысл при работе с электроинструментом. Не используйте электроинструмент, в то время как Вы утомлены или находитесь под воздействием лекарств или средств замедляющих реакцию, а также алкоголя или наркотических веществ. Это может привести к серьезной травме.

Носите соответствующую одежду. Слишком свободная одежда, драгоценности или длинные распущенные волосы могут попасть в движущиеся части работающего электроинструмента. Держите ваши волосы, одежду, и перчатки далеко от движущихся частей. Руки должны быть сухими, чистыми и свободными от следов маслянистых веществ.

Избегайте внезапного включения. Убедитесь, что клавиша включения/выключения находится в положении «выключено» («OFF») до включения электроинструмента в розетку.

Держите надежно равновесие. Используйте хорошую опору и всегда держите надежно баланс тела. Надлежащая опора и баланс позволяют обеспечить надежный контроль над электроинструментом в неожиданных ситуациях.

Используйте оборудование, обеспечивающее Вашу безопасность. Всегда носите защитные очки. Респиратор, нескользящие безопасные ботинки, каска, или наушники должны использоваться для соответствующих условий.

Правила техники безопасности

Станок не предназначен для эксплуатации несовершеннолетними и инвалидами. Это разрешается только под наблюдением. Не допускать детей к станку.

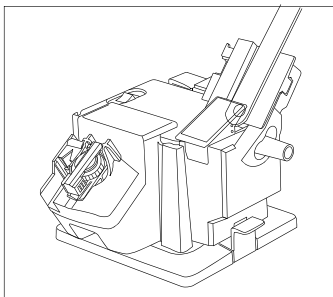
- Не включать многофункциональный заточной станок при треснувшем или поврежденном шлифовальном круге. Немедленно заменить треснувший или поврежденный шлифовальный круг.
- Обязательно отключать станок от сети питания перед регулировкой.
- При работе на станке использовать средства защиты: ушные заглушки, очки, перчатки, шапку и защитную одежду.
- Перед работой с устройством проверить затяжку винтов, болтов и гаек.
- Не останавливать и не тормозить вращающийся шлифовальный круг.
- Проверять правильность регулировки защиты глаз и подручников
- Всегда использовать защиту глаз и подручники.
- Не использовать шлифовальный круг для резки.
- Скорость вращения шлифовального круга не должна превышать указанную на запасных шлифовальных кругах.
- Носить защитные очки.
- Не использовать шлифовальные круги с повреждениями или неправильной формы.
- Регулировка искроулавливателя должна производиться как можно чаще, с учетом износа шлифовального круга. Расстояние между защитой и кругом должно быть как можно меньше, но в любом случае не менее 2 мм.
- Регулировка подручника должна производиться постепенно с учетом износа круга. Расстояние между подручником и кругом должно быть как можно меньше, но в любом случае не менее 2 мм.

Перед началом работы рекомендуется закрепить многофункциональный заточной станок с помощью болтов на надежном основании.

6. Правила эксплуатации оборудования.

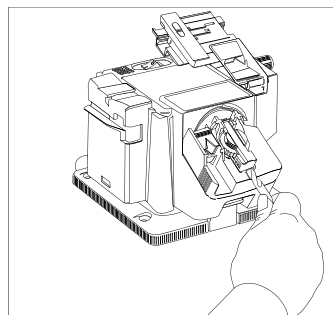
Блок заточки стамесок, зубил и лезвий

1. Установить блок заточки стамесок, зубил и лезвий (2) на силовой блок (8).
2. Положить стамеску, зубило или лезвие на суппорт для лезвий (2e). Магниты (2b) удерживают лезвие в нужном положении. (См. рис. 1).
3. Проверить, совпадает ли угол заточки с углом скоса стамески, зубила или лезвия.
4. Для регулировки угла ослабить ручку регулировки угла (2b). Выбрать нужный угол и затянуть ручку (2d).
5. Кромка лезвия должна касаться шлифовального круга. Включить силовой блок (8) с помощью выключателя (1), переведя его в положение «ON» (ВКЛ).
6. Двигать суппорт (2e) с лезвием вперед и назад поперек шлифовального круга (3) с легким постоянным нажимом, непрерывным движением. НЕ ДЕРЖАТЬ лезвие в одном положении во избежание его повреждения.
7. Плавно перемещать лезвие вниз по суппорту (2d) во время заточки.
8. При заточке узких лезвий стамесок или зубил положить узкую направляющую для стамесок и зубил на суппорт для лезвий (2d) в качестве распорки и производить заточку, как указано выше.
9. Выключить силовой блок (8) после заточки. Перед сменой блока убедиться, что шлифовальный круг остановился.
10. Рекомендуется после заточки доводить кончик лезвия шлифовальным бруском.



Блок заточки сверл

1. Установить блок заточки сверл (4) на силовой блок (8).
2. Снять зажимное устройство (4b) и вставить сверло для заточки. Слегка затянуть зажимное устройство (4b) так, чтобы сверло еще могло двигаться.
3. Установить зажимное устройство (4b) со сверлом в V-образную направляющую (4a), совмещая пазы сбоку.
4. Установить сверло в V-образную направляющую (4a) так, чтобы оно касалось торцевого упора в V-образной направляющей (4a).
5. Поворачивать сверло до тех пор, пока все четыре лопасти коснутся краев V-образной направляющей (4a).
6. Затянуть зажимное устройство (4b) со сверлом в данном положении.
7. Перемещать V-образную направляющую в направлении шлифовального круга (3), затем снять зажимное устройство (4b) со сверлом.
8. Поместить зажимное устройство (4b) со сверлом в направляющее отверстие в центре шлифовального круга (3). (См. рис. 2).
9. Включить силовой блок (8), переведя выключатель (1) в положение «ON».

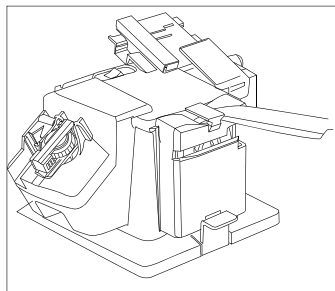


10. Перемещать зажимное устройство (4b) от одной стороны к другой с легким давлением пальцами.
11. Снять зажимное устройство (4b), повернуть на 180° и снова установить в направляющее отверстие.
12. Проверить, заточена ли передняя кромка обеих канавок сверла одинаково остро.
13. Выключить силовой блок (8) после заточки. Перед заменой блока убедиться, что шлифовальный круг (3) остановился.

Блок заточки ножей и ножниц

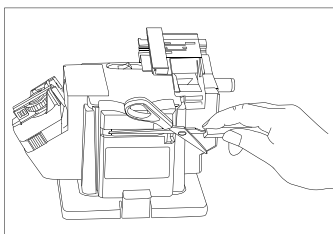
Заточка ножей

1. Установить блок заточки ножей и ножниц (7) на силовой блок (8).
2. Включить силовой блок (8), переводя выключатель (1) в положение «ON».
3. Удерживая ручку ножа как можно ближе к себе, вставить ближайшую к ручке часть лезвия в щель заточки ножей (7a). (См. рис. 3).
4. Как только лезвие коснется шлифовального круга (3), потянуть лезвие поперек шлифовального круга (3) с легким постоянным давлением к кончику лезвия. Извлечь лезвие.
5. Установить другую сторону лезвия в противоположную щель заточки ножей (7a) и повторить п. 4.
6. Повторять заточку каждой из сторон до получения ровной острой кромки.
7. После заточки выключить силовой блок (8). Перед заменой блока убедиться, что шлифовальный круг (3) остановился.



Заточка ножниц

1. Установить блок заточки ножей и ножниц (7) на силовой блок (8).
2. Включить силовой блок (8), переводя выключатель (1) в положение «ON».
3. Полностью раскрыть ножницы.
4. Перемещать одно из лезвий ножниц вдоль щели заточки ножниц (7b). (См. рис. 4).
5. Потянуть лезвие поперек шлифовального круга (3) от основания к кончику.
6. Извлечь ножницы и перевернуть их для заточки другого лезвия. Повторить п. 4.
7. Повторять заточку ножниц до получения ровных острых кромок.
8. После заточки выключить силовой блок (8). Перед заменой блока убедиться, что шлифовальный круг (3) остановился.



7. Техническое обслуживание оборудования.

Обслуживание электроинструмента должно быть выполнено только квалифицированным персоналом уполномоченных сервисных центров **•Sturm!**. Обслуживание, выполненное неквалифицированным персоналом, может стать причиной поломки инструмента и травм.

При обслуживании электроинструмента, используйте только рекомендованные сменные расходные части, насадки, аксессуары. Использование не рекомендованных расходных частей, насадок и аксессуаров может привести к поломке электроинструмента или травмам. Использование некоторых средств для чистки, таких как: бензин, аммиак, и т.д. приводят к повреждению пластмассовые части.

8. Гарантийное обязательство.

На электрические инструменты распространяется гарантия, согласно сроку, указанному в гарантийном талоне.

Вы можете ознакомиться с правилами гарантийного обслуживания в гарантийном талоне, прилагаемом к инструкции по эксплуатации.

Срок службы составляет 3 года с даты производства.

Изготовлено в КНР.

Дата изготовления указана на упаковке.

УСЛОВИЯ ГАРАНТИЙНОГО ОБСЛУЖИВАНИЯ

1. Настоящее гарантийное свидетельство является единственным документом, подтверждающим Ваше право на бесплатное гарантийное обслуживание. Без предъявления данного свидетельства претензии не принимаются. В случае утери или порчи гарантийное свидетельство не восстанавливается.
 2. Гарантийный срок на электроинструмент составляет 12 месяцев со дня продажи, в течение гарантийного срока сервисная служба бесплатно устраняет производственные дефекты и производит замену деталей, вышедших из строя по вине изготовителя. На период гарантийного ремонта эквивалентный исправный инструмент не предоставляется. Заменяемые детали переходят в собственность служб сервиса. Компания P.I.T. не несет ответственности за вред, который может быть причинен при работе с электроинструментом.
 3. В гарантийный ремонт инструмент принимается в чистом виде, при обязательном наличии надлежащим образом оформленных документов: настоящего гарантийного свидетельства, гарантийного талона, с полностью заполненными полями, штампом торговой организации и подписью покупателя.
 4. Гарантийный ремонт не производится в следующих случаях:
 - при отсутствии гарантийного свидетельства и гарантийного талона или неправильном их оформлении;
 - при совместном выходе из строя якоря и статора электродвигателя, при обугливании или оплавлении первичной обмотки трансформатора сварочного аппарата, зарядного или пуско-зарядного устройства, при оплавлении внутренних деталей, прожиге электронных плат;
 - если гарантийное свидетельство или талон не принадлежат данному электроинструменту или не соответствует установленному поставщиком образцу;
 - по истечении срока гарантии;
 - при попытках самостоятельного вскрытия или ремонта электроинструмента вне гарантийной мастерской; внесения конструктивных изменений и смазки инструмента в гарантийный период, о чем свидетельствуют, например, заломы на шлицевых частях крепежа корпусных деталей.
 - при использовании электроинструмента в производственных или иных целях, связанных с получением прибыли, а также – при возникновении неисправностей связанных с нестабильностью параметров электросети, превышающих нормы, установленные ГОСТ;
 - при неправильной эксплуатации (использование электроинструмента не по назначению, установки на электроинструмент не предназначенных заводом-изготовителем насадок, исполнительных приспособлений и т.п.;
 - при механических повреждениях корпуса, сетевого шнура и при повреждениях, вызванных воздействиями агрессивных средств и высоких и низких температур, попадании инородных предметов в вентиляционные решетки электроинструмента, а также при повреждениях, наступивших в результате неправильного хранения(коррозия металлических частей);
 - при естественном износе деталей электроинструмента, в результате длительной эксплуатации(определяется по признакам полной или частичной выработки ресурса, сильного загрязнения, ржавчины снаружи и внутри электроинструмента, отработанной смазки в редукторе);
 - использование инструмента не по назначению, указанному в инструкции по эксплуатации.
 - при механических повреждениях инструмента;
 - при возникновении повреждений в связи с несоблюдением предусмотренных инструкцией условий эксплуатации(см. главу Указание по технике безопасности в инструкции).
 - повреждение изделия вследствие несоблюдения правил хранения и транспортировки.
- Профилактическое обслуживание электроинструмента (чистка, промывка, смазка, замена пыльников, поршневых и уплотнительных колец) в гарантийный период является платной услугой.
- Срок службы изделия установлен изготовителем и составляет 2 года со дня изготовления.
- О возможных нарушениях, изложенных выше условий гарантийного обслуживания, владельцу сообщается после проведения диагностики в сервисном центре.
- Владелец инструмента доверяет проведение диагностики в сервисном центре в свое отсутствие.
- Запрещается эксплуатация электроинструмента при проявлении признаков повышенного нагрева, искрения, а также шума в редукторной части. Для выяснения причин неисправности покупателю следует обратиться в гарантийную мастерскую.
- Неисправности, вызванные несвоевременной заменой угловых щеток двигателя, устраняются за счет покупателя.
5. Гарантия не распространяется на:
 - сменные принадлежности (аксессуары и оснастка), например: аккумуляторы, диски, ножи, сверла, буры, патроны, цепи, звездочки, цанговые зажимы, шины, элементы натяжения и крепления, головки триммеров, подошвы шлифовальных и ленточных машин, фильтры и т.п.
 - быстроизнашивающиеся детали, например: угловые щетки, приводные ремни, сальники, защитные кожухи, направляющие ролики, направляющие, резиновые уплотнения, подшипники, зубчатые ремни и колеса, стволы, ленты тормоза, храповики и тросы стартеров, поршневые кольца и т.п. Замена их в течении гарантийного срока является платной услугой.
 - шнуры питания, в случае повреждения изоляции, шнуры питания подлежат обязательной замене без согласия владельца (услуга платная).
 - корпуса инструмента.

ГАРАНТИЙНОЕ СВИДЕТЕЛЬСТВО НА ИНСТРУМЕНТ P.I.T.

Наименование изделия _____

Артикул изделия Серийный номер

Дата продажи «__» _____

Наименование торговой организации _____

М.П.

Уважаемый покупатель!

Благодарим Вас за покупку инструмента P.I.T. и надеемся, что Вы останетесь довольны своим выбором. В процессе производства инструменты P.I.T. проходят многоуровневый контроль качества, если тем не менее Ваше изделие будет нуждаться в обслуживании, просим Вас обращаться в авторизированные сервисные центры P.I.T.

Внимание!

При покупке требуйте у продавца проверки комплектности и работоспособности инструмента, заполнение гарантийного свидетельства, гарантийного талона (графы заполняются продавцом) и простановки печати торговой организации в гарантийном свидетельстве и гарантийном талоне.

Гарантия

На основании данного гарантийного свидетельства компания P.I.T. гарантирует отсутствие дефектов производственного характера.

Если в течении гарантийного срока в Вашем изделии тем не менее обнаружатся указанные дефекты, специализированные сервисные центры P.I.T. бесплатно отремонтируют изделие и заменят дефектные запасные части.

Гарантийный срок на электроинструменты P.I.T. составляет 12 месяцев со дня продажи.

«С условиями гарантийного обслуживания ознакомлен(а). Работоспособность и комплектность изделия проверены в моем присутствии. Претензий к качеству и внешнему виду не имею».

Подпись покупателя _____ Фамилия(разборчиво) _____

Телефон _____

T. WARRANTY CARD



Name _____
 Serial number _____
 Date of sale "" _____
 (Filled by seller)

Seal is here

WARRANTY REPAIR CARD

date of acceptance for repair ____20_____
 Application for repair _____
 Customer _____
 Telephone (address) _____
 The reason for petition _____
 Tool checked in my presence _____
 (The order is filled in the service center) (signature)

Seal is here



Name _____
 Serial number _____
 Date of sale "" _____
 (Filled by seller)

Seal is here

WARRANTY REPAIR CARD

date of acceptance for repair ____20_____
 Application for repair _____
 Customer _____
 Telephone (address) _____
 The reason for petition _____
 Tool checked in my presence _____
 (The order is filled in the service center) (signature)

Seal is here



Name _____
 Serial number _____
 Date of sale "" _____
 (Filled by seller)

Seal is here

WARRANTY REPAIR CARD

date of acceptance for repair ____20_____
 Application for repair _____
 Customer _____
 Telephone (address) _____
 The reason for petition _____
 Tool checked in my presence _____
 (The order is filled in the service center) (signature)

Seal is here

Name _____
 Serial number _____
 The date of sale 20 _____
 The date of receipt of the repair 20 _____

Name _____
 Serial number _____
 The date of sale 20 _____
 The date of receipt of the repair 20 _____

Name _____
 Serial number _____
 The date of sale 20 _____
 The date of receipt of the repair 20 _____

ГАРАНТИЙНЫЙ ТАЛОН P.I.T.


Наименование _____
 Серийный номер _____
 Дата продажи «__» _____ 20__ г.
 (Заполняется продавцом)

М.П.

КАРТА ГАРАНТИЙНОГО РЕМОНТА __
 Дата приема в ремонт __ _____ 20__ г.
 Заявка на ремонт _____
 Заказчик _____
 Телефон(адрес) _____
 Причина обращения _____
 Дата получения из ремонта __ _____ 20__ г.
 Инструмент проверен в моем присутствии _____
 (Заказ заполняется в сервисном центре) (подпись)

М.П.



Наименование _____
 Серийный номер _____
 Дата продажи «__» _____ 20__ г.
 (Заполняется продавцом)

М.П.

КАРТА ГАРАНТИЙНОГО РЕМОНТА __
 Дата приема в ремонт __ _____ 20__ г.
 Заявка на ремонт _____
 Заказчик _____
 Телефон(адрес) _____
 Причина обращения _____
 Дата получения из ремонта __ _____ 20__ г.
 Инструмент проверен в моем присутствии _____
 (Заказ заполняется в сервисном центре) (подпись)

М.П.



Наименование _____
 Серийный номер _____
 Дата продажи «__» _____ 20__ г.
 (Заполняется продавцом)

М.П.

КАРТА ГАРАНТИЙНОГО РЕМОНТА __
 Дата приема в ремонт __ _____ 20__ г.
 Заявка на ремонт _____
 Заказчик _____
 Телефон(адрес) _____
 Причина обращения _____
 Дата получения из ремонта __ _____ 20__ г.
 Инструмент проверен в моем присутствии _____
 (Заказ заполняется в сервисном центре) (подпись)

М.П.

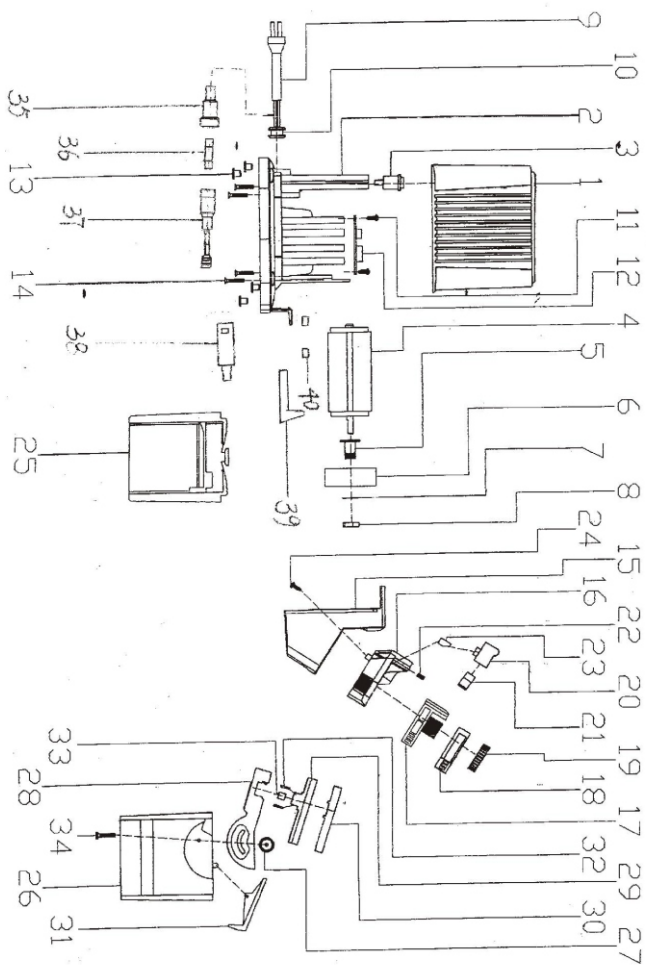
Наименование _____
 Серийный номер _____
 Дата продажи «__» _____ 20__ г.
 Дата получения из ремонта «__» _____ 20__ г.

Наименование _____
 Серийный номер _____
 Дата продажи «__» _____ 20__ г.
 Дата получения из ремонта «__» _____ 20__ г.

Наименование _____
 Серийный номер _____
 Дата продажи «__» _____ 20__ г.
 Дата получения из ремонта «__» _____ 20__ г.

P.I.T. WARRANTY SHEET / ГАРАНТИЙНЫЙ ТАЛОН P.I.T.

PMTS1003-C





Поставщик: Китай Xinjiang Longbo Industrial Co., Ltd.
Адрес производства: Rm. 602, 6th Floor, No. 531, Weixing Road, Economic And Technological Development Zone, Urumqi, Xinjiang, China
Уполномоченный представитель: ООО "Турбо-Тулс"
Юридический адрес: 614012, Пермский КРАЙ, г. Пермь, ул. Норильская, д. 8

Сделано в КНР/Made in China

