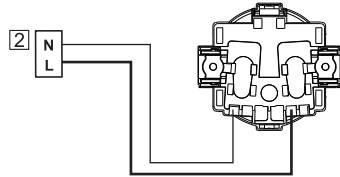
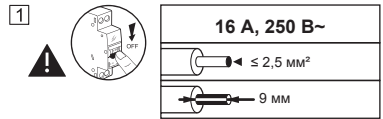
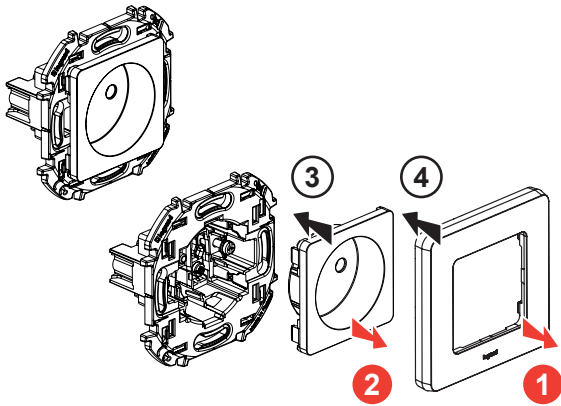
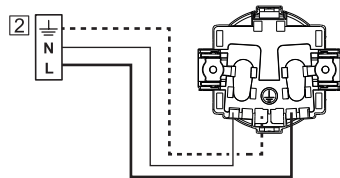
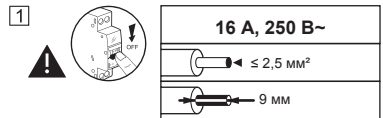
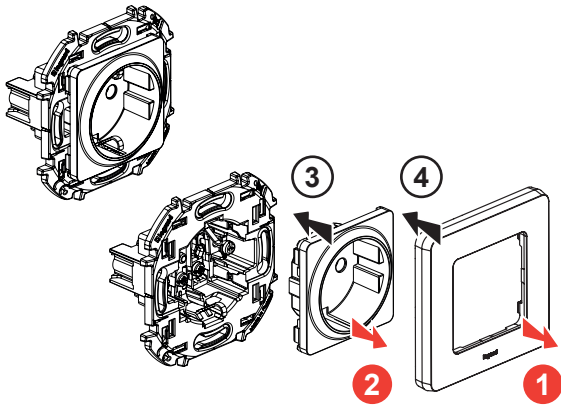


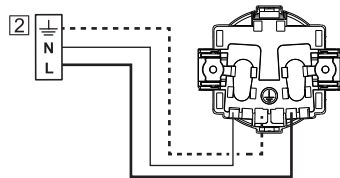
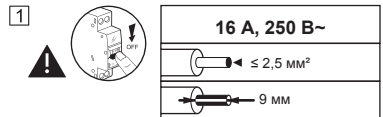
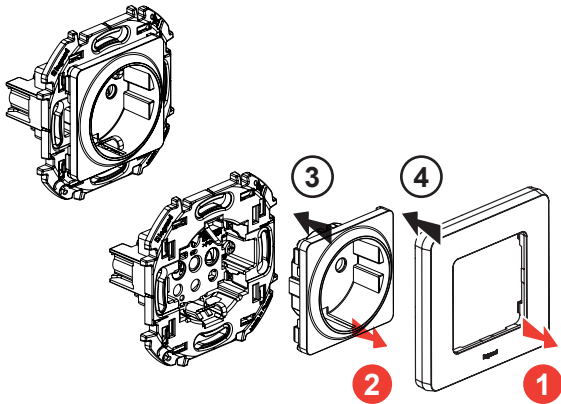
6 737 10/11/12/13



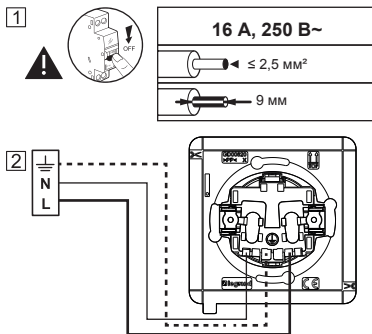
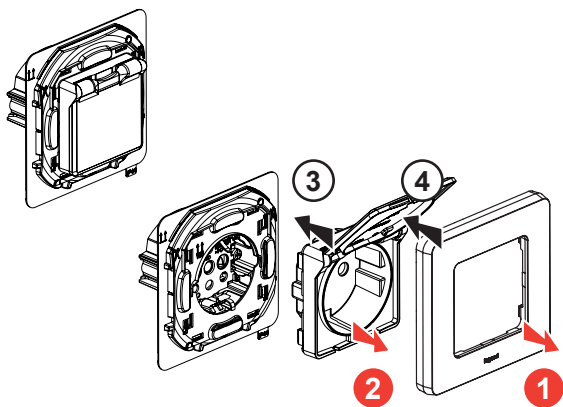
6 737 20/21/22/23



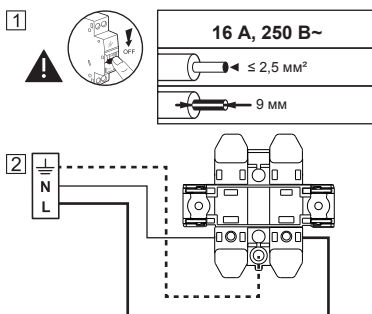
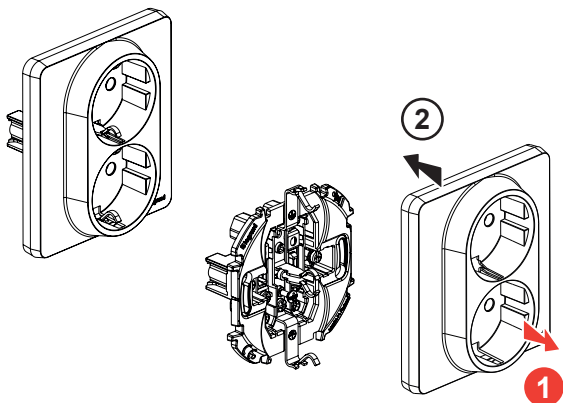
6 737 30/31/32/33



6 737 40/41/42/43



6 737 50/51/52/53



6 737 70/71/72/73

