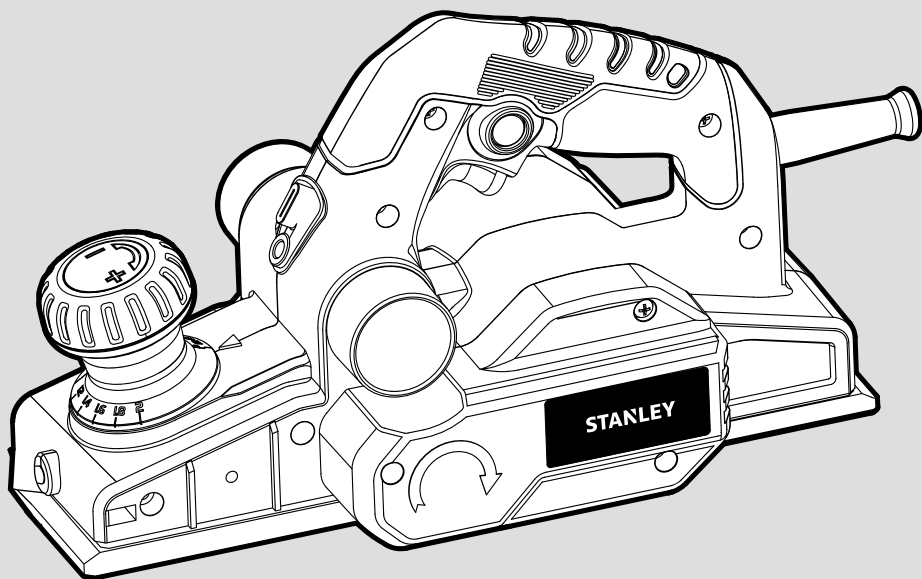
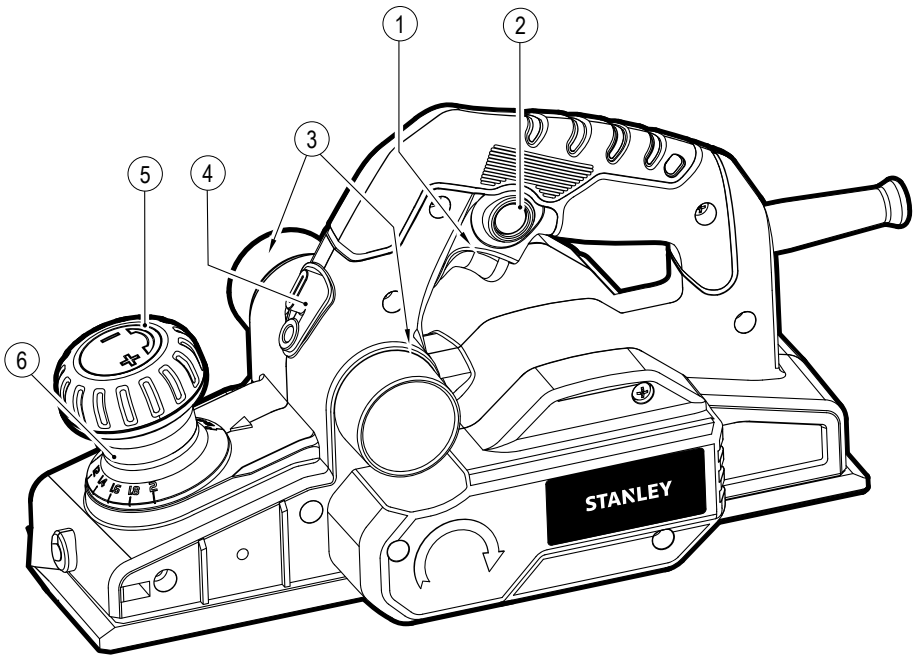


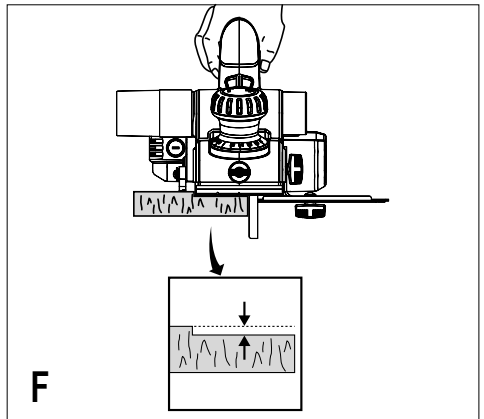
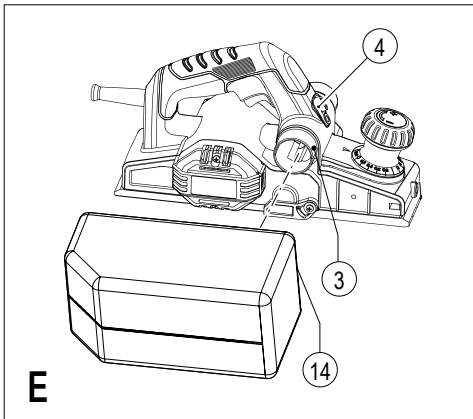
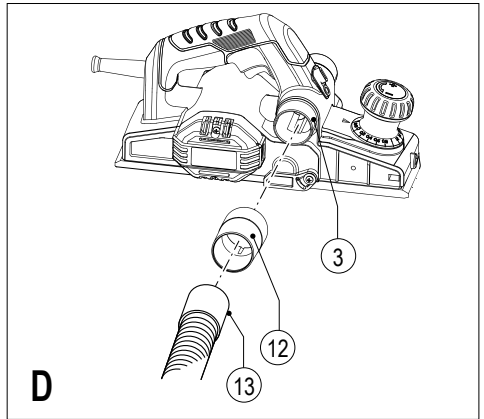
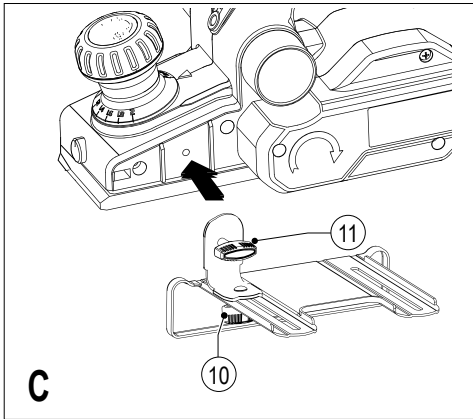
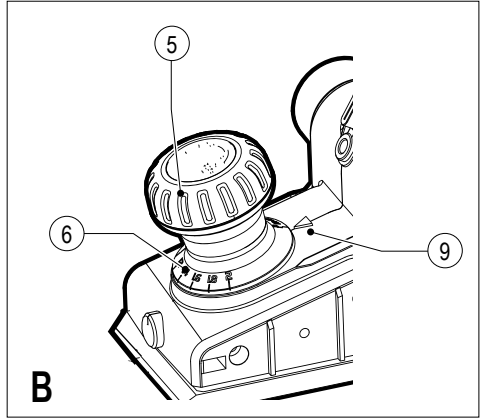
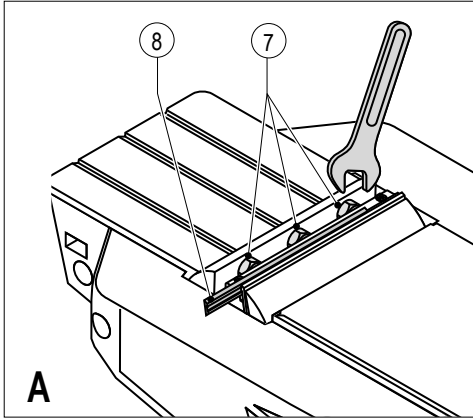
# STANLEY

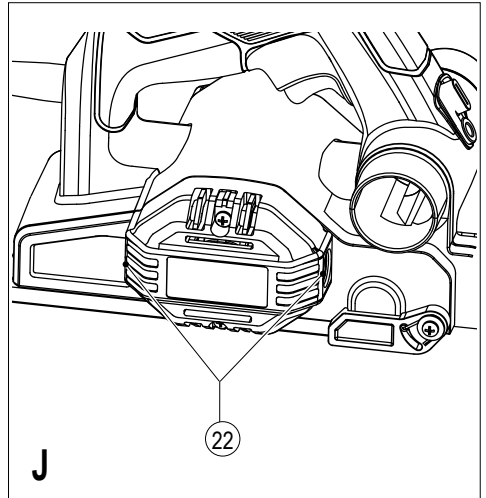
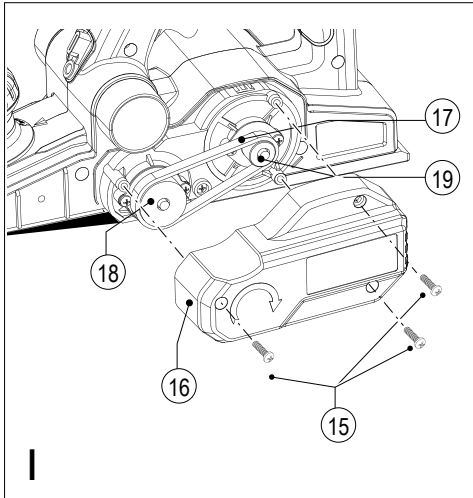
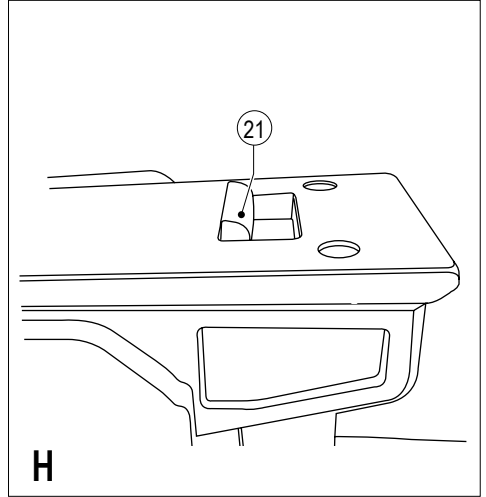
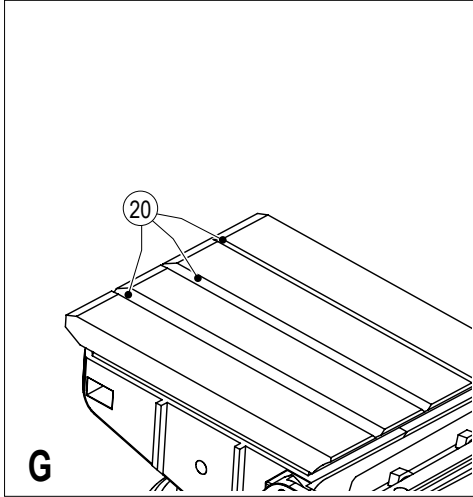


**STPP7502**

English	Page 5
Russian	Page 12
Ukrainian	Page 23









## Intended use

Your STANLEY planer has been designed for planing wood, wood products and plastics. The tool is intended for hand-held use. This tool is intended for consumer use only.

## Safety instructions

### General power tool safety warnings



**Warning!** Read all safety warnings and all instructions. Failure to follow the warnings and instructions listed below may result in electric shock, fire and/or serious injury.

### Save all warnings and instructions for future reference.

The term "power tool" in all of the warnings listed below refers to your mains operated (corded) power tool or battery operated (cordless) power tool.

#### 1. Work area safety

- a. **Keep work area clean and well lit.** Cluttered or dark areas invite accidents.
- b. **Do not operate power tools in explosive atmospheres, such as in the presence of flammable liquids, gases or dust.** Power tools create sparks which may ignite the dust or fumes.
- c. **Keep children and bystanders away while operating a power tool.** Distractions can cause you to lose control.

#### 2. Electrical safety

- a. **Power tool plugs must match the outlet. Never modify the plug in any way. Do not use any adapter plugs with earthed (grounded) power tools.** Unmodified plugs and matching outlets will reduce risk of electric shock.
- b. **Avoid body contact with earthed or grounded surfaces such as pipes, radiators, ranges and refrigerators.** There is an increased risk of electric shock if your body is earthed or grounded.
- c. **Do not expose power tools to rain or wet conditions.** Water entering a power tool will increase the risk of electric shock.
- d. **Do not abuse the cord. Never use the cord for carrying, pulling or unplugging the power tool. Keep cord away from heat, oil, sharp edges or moving parts.** Damaged or entangled cords increase the risk of electric shock.

- e. **When operating a power tool outdoors, use an extension cord suitable for outdoor use.** Use of a cord suitable for outdoor use reduces the risk of electric shock.
  - f. **If operating a power tool in a damp location is unavoidable, use a residual current device (RCD) protected supply.** Use of an RCD reduces the risk of electric shock.
- #### 3. Personal safety
- a. **Stay alert, watch what you are doing and use common sense when operating a power tool. Do not use a power tool while you are tired or under the influence of drugs, alcohol or medication.** A moment of inattention while operating power tools may result in serious personal injury.
  - b. **Use personal protective equipment. Always wear eye protection.** Protective equipment such as dust mask, non-skid safety shoes, hard hat, or hearing protection used for appropriate conditions will reduce personal injuries.
  - c. **Prevent unintentional starting. Ensure the switch is in the off-position before connecting to power source and/or battery pack, picking up or carrying the tool.** Carrying power tools with your finger on the switch or energising power tools that have the switch on invites accidents.
  - d. **Remove any adjusting key or wrench before turning the power tool on.** A wrench or a key left attached to a rotating part of the power tool may result in personal injury.
  - e. **Do not overreach. Keep proper footing and balance at all times.** This enables better control of the power tool in unexpected situations.
  - f. **Dress properly. Do not wear loose clothing or jewellery. Keep your hair, clothing and gloves away from moving parts.** Loose clothes, jewellery or long hair can be caught in moving parts.
  - g. **If devices are provided for the connection of dust extraction and collection facilities, ensure these are connected and properly used.** Use of dust collection can reduce dust-related hazards.

#### 4. Power tool use and care

- a. **Do not force the power tool. Use the correct power tool for your application.** The correct power tool will do the job better and safer at the rate for which it was designed.
- b. **Do not use the power tool if the switch does not turn it on and off.** Any power tool that cannot be controlled with the switch is dangerous and must be repaired.
- c. **Disconnect the plug from the power source and/or the battery pack from the power tool before making any adjustments, changing accessories, or storing power tools.** Such preventive safety measures reduce the risk of starting the power tool accidentally.
- d. **Store idle power tools out of the reach of children and do not allow persons unfamiliar with the power tool or these instructions to operate the power tool.** Power tools are dangerous in the hands of untrained users.
- e. **Maintain power tools. Check for misalignment or binding of moving parts, breakage of parts and any other condition that may affect the power tools operation. If damaged, have the power tool repaired before use.** Many accidents are caused by poorly maintained power tools.
- f. **Keep cutting tools sharp and clean.** Properly maintained cutting tools with sharp cutting edges are less likely to bind and are easier to control.
- g. **Use the power tool, accessories and tool bits etc., in accordance with these instructions, taking into account the working conditions and the work to be performed.** Use of the power tool for operations different from those intended could result in a hazardous situation.

#### 5. Service

- a. **Have your power tool serviced by a qualified repair person using only identical replacement parts.** This will ensure that the safety of the power tool is maintained.

#### Additional power tool safety warnings



**Warning!** Additional safety warnings for planers

- **Hold the power tool by insulated gripping surfaces only, because the cutter may contact its own cord.** Cutting a "live" wire may make exposed metal parts of the power tool "live" and could give the operator an electric shock.
- **Use clamps or another practical way to secure and support the workpiece to a stable platform.** Holding the work by your hand or against the body leaves it unstable and may lead to loss of control.
- **Wait for the cutter to stop before setting the tool down.** An exposed rotating cutter may engage the surface leading to possible loss of control and serious injury.
- **Keep the cutter sharp.** Dull or damaged cutters may cause the planer to swerve or stall under pressure. Always use the appropriate type of cutter for the power tool.
- Do not touch the workpiece or the cutter immediately after operating the tool. They can become very hot.
- Remove all nails and metal objects from the workpiece before planing.
- Always hold the tool with both hands and by the handles provided.
- Immediately disconnect the cable from the mains if it is damaged or cut.

**Warning!** Contact with, or inhalation of dusts arising from planing applications may endanger the health of the operator and possible bystanders. Wear a dust mask specifically designed for protection against dust and fumes and ensure that persons within or entering the work area are also protected.

- This tool is not intended for use by persons (including children) with reduced physical, sensory or mental capabilities, or lack of experience and knowledge, unless they have been given supervision or instruction concerning use of the appliance by a person responsible for their safety. Children should be supervised to ensure that they do not play with the appliance.

- The intended use is described in this instruction manual. The use of any accessory or attachment or performance of any operation with this tool other than those recommended in this instruction manual may present a risk of personal injury and/or damage to property.

## Safety of others

- This appliance is not intended for use by persons (including children) with reduced physical, sensory or mental capabilities, or lack of experience and knowledge, unless they have been given supervision or instruction concerning use of the appliance by a person responsible for their safety.
- Children should be supervised to ensure that they do not play with the appliance.

## Residual risks

Additional residual risks may arise when using the tool which may not be included in the enclosed safety warnings. These risks can arise from misuse, prolonged use etc.

Even with the application of the relevant safety regulations and the implementation of safety devices, certain residual risks can not be avoided. These include:

- Injuries caused by touching any rotating/moving parts.
- Injuries caused when changing any parts, blades or accessories.
- Injuries caused by prolonged use of a tool. When using any tool for prolonged periods ensure you take regular breaks.
- Impairment of hearing.
- Health hazards caused by breathing dust developed when using your tool (example:- working with wood, especially oak, beech and MDF.)

## Vibration

The declared vibration emission values stated in the technical data and the declaration of conformity have been measured in accordance with a standard test method provided by EN 60745 and may be used for comparing one


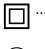





tool with another. The declared vibration emission value may also be used in a preliminary assessment of exposure.

**Warning!** The vibration emission value during actual use of the power tool can differ from the declared value depending on the ways in which the tool is used. The vibration level may increase above the level stated.

When assessing vibration exposure to determine safety measures required by 2002/44/EC to protect persons regularly using power tools in employment, an estimation of vibration exposure should consider, the actual conditions of use and the way the tool is used, including taking account of all parts of the operating cycle such as the times when the tool is switched off and when it is running idle in addition to the trigger time.

## Labels on tool

The label on your tool may include the following symbols:

	Read Instructions Manual	Hz ..... Hertz		Class II Construction
	Use Eye Protection	W ..... Watts		Earthing Terminal
	Use Ear Protection	min ..... minutes		Safety Alert Symbol
		 ..... Alternating Current		Revolutions or Reciprocation per minute
		===== Direct Current		
V ..... Volts		n <sub>0</sub> ..... No-Load Speed		
A ..... Amperes				


## Position of date barcode

The Date Code, which also includes the year of manufacture, is printed into the housing.

Example:

2014 XX JN  
Year of manufacturing

## Electrical safety

 This tool is double insulated; therefore no earth wire is required. Always check that the power supply corresponds to the voltage on the rating plate.

- If the supply cord is damaged, it must be replaced by the manufacturer or an authorised Black & Decker Service Centre in order to avoid a hazard.

## Features

This tool includes some or all of the following features.

1. On/off switch
2. Lock-off button
3. Shavings discharge outlet
4. Shavings discharge outlet selector
5. Planing depth adjustment knob
6. Planing depth graduation

## Assembly

**Warning!** Before assembly, make sure that the tool is switched off and unplugged.

### Replacing the cutting blades (fig. A)

The cutting blades provided with this tool are reversible. Replacement cutting blades can be obtained from your local retailer.

## Removing

- Loosen the bolts (7) using the spanner supplied.
- Slide the blade (8) out of the holder.
- Reverse the blade so that the unused side comes in position. If both sides are worn, the blade must be replaced.

## Fitting

- Slide the blade into the holder until it is against the end stop.
- Tighten the bolts using the spanner supplied.

**Warning!** Always replace both cutters.

### Adjusting the depth of cut (fig. B)

The depth of cut is indicated by the marking (9). The setting range can be read from the graduation (6).

- Turn the planing depth adjustment knob (5) to the required depth of cut.
- Turn the knob to the 'P' position whenever the tool is not in use.

### Fitting and removing the parallel fence (fig. C)

The parallel fence is used to for optimum control on narrow workpieces.

- Thread the knob (11) into the hole on the side of the planer and securely tighten.
- Loosen the parallel fence adjustment knob (10).
- Slide the parallel fence into the desired position.
- Securely tighten the parallel fence adjustment knob.

**Note:** The parallel fence should be below the planer when installed correctly.

- To remove the parallel fence proceed in reverse order.

### Connecting a vacuum cleaner to the tool (fig. D)

An adaptor is required to connect a vacuum cleaner or dust extractor to the tool. The adaptor can be purchased from your local STANLEY retailer.

- Slide the adaptor (12) over the shavings discharge outlet (3).
- Connect the vacuum cleaner hose (13) to the adaptor.

### Fitting the shavings collection bag (fig. E)

The shavings collection bag is particularly useful when working in confined spaces.

- Slide the connecting plate (14) of the bag over either side of the shavings discharge outlet (3).
- To prevent chips from coming out opposite side of shavings discharge outlet, move the shavings discharge outlet selector (4) to the opposite side from the bag.

## Emptying the shavings collection bag

The shavings collection bag should be emptied regularly while using it to prevent blocking.

- Unzip the bag and empty it before continuing.

## Use

**Warning!** Let the tool work at its own pace. Do not overload.

- Adjust the depth of cut.
- If necessary, fit and adjust the parallel fence.

## Switching on and off

### Switching on

- Keep the lock-off button (2) depressed and press the on/off switch (1).
- Release the lock-off button.

### Switching off

- Release the on/off switch.

## Planing

- Hold the tool with the nose piece of the shoe resting on top of the workpiece surface.
- Switch the tool on.
- Move the tool steadily forward to perform the cutting stroke.
- Switch the tool off after the stroke has been completed.

## Rebating (fig. F)

- Fit and adjust the parallel fence.
- Proceed as for planing.

## Chamfering edges (fig. G)

The V-groove in the nose piece of the shoe enables you to chamfer edges at 45°, 30° and 15° angles.

- Hold the tool at an angle with the desired groove (20) around the edge of the workpiece and perform the cutting stroke.

## Parking rest (fig. H)

Your planer is equipped with a parking rest (21) that automatically lowers into place when the tool is lifted from the work surface. When planing, the parking foot raises as the tool is pushed forward. When the parking foot is lowered, the planer can set on the work surface without the blade touching.

## Hints for optimum use

- Move the tool along the grain of the wood.
- If the grain is cross or curly, or if the workpiece material is a hard type of wood, adjust the depth of cut to take only a very thin shaving at each pass and take several passes to achieve the desired result.
- To keep the tool in a straight line, press down the front of the tool at the start, and press down the back of the tool at the end of the cutting stroke.

## Accessories

The performance of your tool depends on the accessory used. STANLEY and Piranha accessories are engineered to high quality standards and designed to enhance the performance of your tool. By using these accessories you will get the very best from your tool.

The following types of cutting blades can be obtained from your local retailer:

- Tungsten carbide tipped reversible cutting blades (part no. X35007, supplied per pair)
- High-speed steel reversible cutting blades (part no. X24192-XJ11, supplied per pair)

## Maintenance

Your tool has been designed to operate over a long period of time with a minimum of maintenance. Continuous satisfactory operation depends upon proper tool care and regular cleaning.

**Warning!** Before performing any maintenance, switch off and unplug the tool.

- Regularly clean the ventilation slots in your tool using a soft brush or dry cloth.
- Regularly clean the motor housing using a damp cloth. Do not use any abrasive or solvent-based cleaner.

## Replacing the drive belt (fig. I)

- Loosen the screws (15) and remove the cover (16).
- Remove the old drive belt.
- Place the new belt (17) over the pulleys. Place the belt over the large pulley (18) first, then over the small pulley (19), whilst manually rotating the belt steadily.
- Put the cover back in place and tighten the screws.

## Motor brush inspection and replacement (fig. J)

Brushes should be regularly inspected for wear.

- Remove brush cap (22). The brushes should slide freely in brush box. If brushes are worn down to .3" (8mm) they should be replaced.

To reinstall, push new brush back into brush box. If replacing existing brush, maintain same orientation as when removed. Replace the brush cap (do not overtighten).

## Mains Plug Replacement

If a new mains plug needs to be fitted:

- Safely dispose of the old plug.
- Connect the brown lead to the live terminal of the new plug.
- Connect the blue lead to the neutral terminal.
- If the product is class I (earthed), connect the green / yellow lead to the earth terminal.

**Warning!** If your product is class II double insulated (only 2 wires in the cord set), no connection is to be made to the earth terminal.

Follow the fitting instructions supplied with good quality plugs.

Any replacement fuse must be of the same rating as the original fuse supplied with the product.

## Technical Data

Specification	STPP7502	
Input voltage	Vac	220-240
Power input	W	750
No-load speed	min-1	16,500
Planing width	mm	82
Planing depth	mm	1.6
Rebating depth	mm	12
Weight	kg	2.9

## Protecting the environment



Separate collection. This product must not be disposed of with normal household waste.

Should you find one day that your Stanley product needs replacement, or if it is of no further use to you, do not dispose of it with household waste. Make this product available for separate collection.



Separate collection of used products and packaging allows materials to be recycled and used again.

Re-use of recycled materials helps prevent environmental pollution and reduces the demand for raw materials.

Local regulations may provide for separate collection of electrical products from the household, at municipal waste sites or by the retailer when you purchase a new product. Stanley provides a facility for the collection and recycling of Stanley products once they have reached the end of their working life. To take advantage of this service please return your product to any authorised repair agent who will collect them on our behalf.

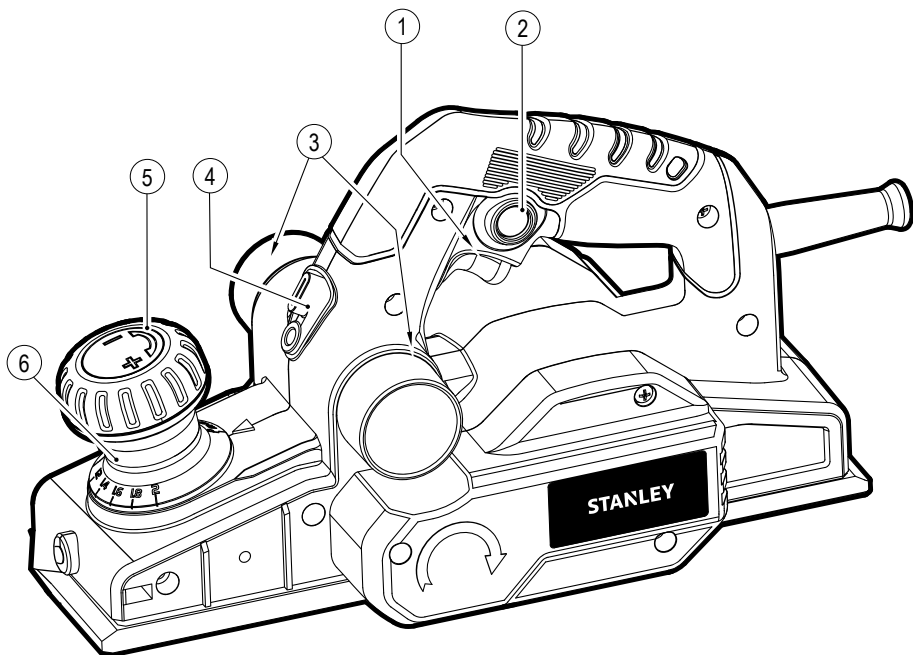
You can check the location of your nearest authorised repair agent by contacting your local Stanley office at the address indicated in this manual. Alternatively, a list of authorised Stanley repair agents and full details of our after-sales service and contacts are available on the Internet at: [www.2helpU.com](http://www.2helpU.com)

## Two years full warranty

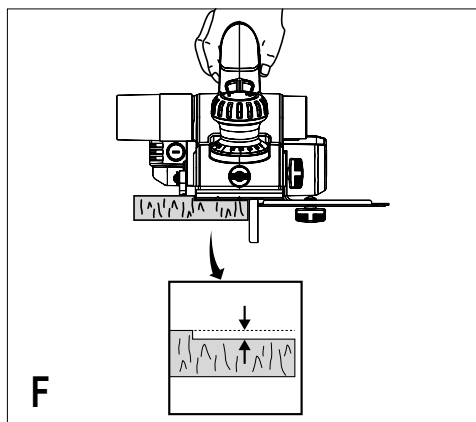
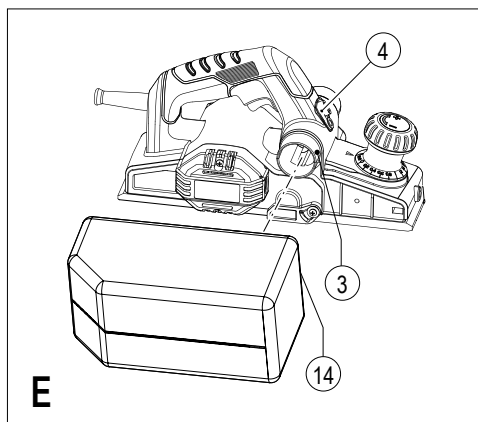
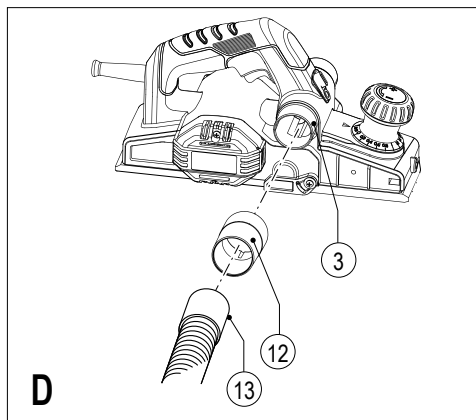
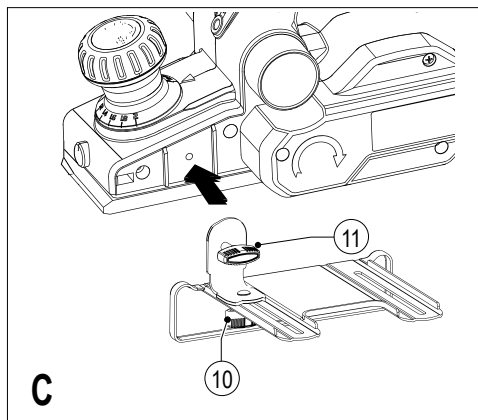
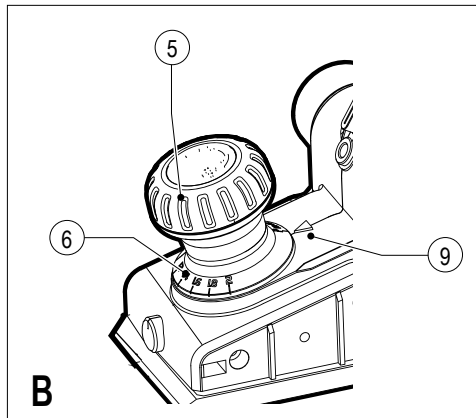
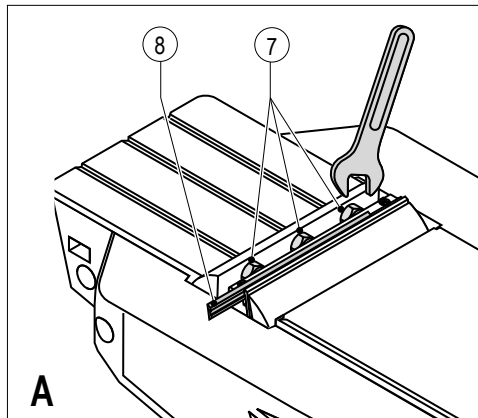
If your Stanley product becomes defective due to faulty materials or workmanship within 24 months from the date of purchase, Stanley Europe guarantees to replace all defective parts free of charge or – at our discretion – replace the unit free of charge provided that:

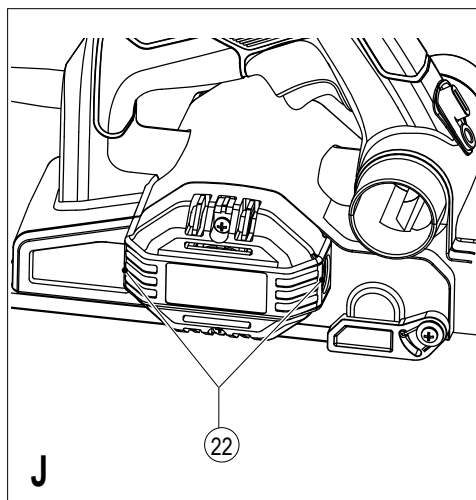
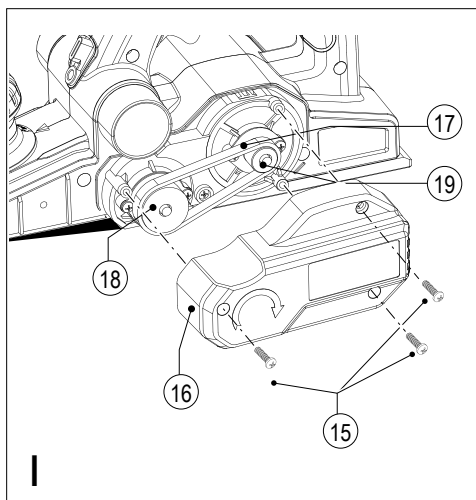
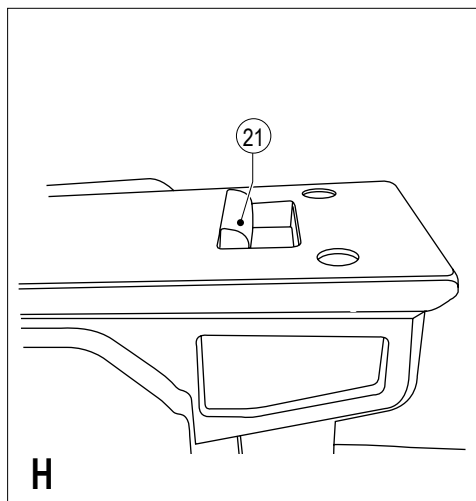
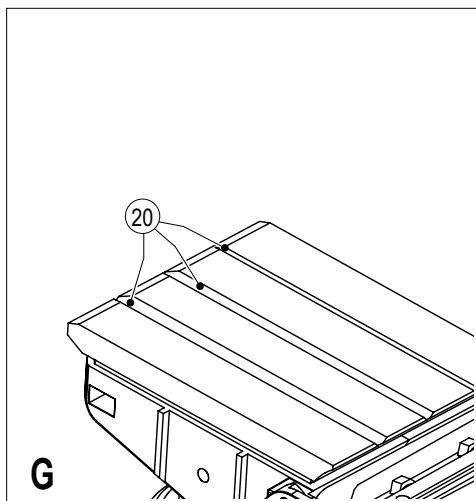
- The product has not been misused and has been used in accordance with the instruction manual.
- The product has been subject to fair wear and tear;
- Repairs have not been attempted by unauthorised persons;
- Proof of purchase is produced.
- The Stanley product is returned complete with all original components

If you wish to make a claim, contact your seller or check the location of your nearest authorised Stanley repair agent in the Stanley catalogue or contact your local Stanley office at the address indicated in this manual. A list of authorised Stanley repair agents and full details of our after sales service is available on the internet at: [www.stanleytools.com](http://www.stanleytools.com)









## назначение

Рубанок STANLEY был разработан для строгания древесины, материалов из древесины и пластика. Инструмент предназначен для ручной работы. Инструмент предназначен только для бытового использования.

## Указания по технике безопасности

### Общие предупреждения по технике безопасности электроинструментов



**Внимание! Ознакомьтесь со всеми правилами безопасности и инструкциями.**

Несоблюдение предупреждений и инструкций, указанных ниже, может привести к поражению электрическим током, пожару и/или серьезной травме.

### Сохраните все предупреждения и инструкции для будущего использования.

Термин "электроинструмент" во всех предупреждениях, указанных ниже, относится к вашему сетевому (с кабелем) электроинструменту или аккумуляторному электроинструменту (без кабеля питания).

#### 1. Безопасность рабочего места

- a. **Содержите рабочее место в чистоте и хорошо освещенным.** Беспорядок на рабочем месте или отсутствие освещения рабочего места может привести к аварии.
- b. **Не работайте с электроинструментом в месте хранения взрывоопасных материалов, например, в присутствии огнеопасных жидкостей, газов или пыли.** Электрические инструменты создают искры, которые могут воспламенить пыль или пары.
- c. **Дети и посторонние лица должны находиться как можно дальше во время работы с электроинструментом.** Вы можете отвлечься и потерять контроль.

#### 2. Электробезопасность

- a. **Вилка электроинструмента должна соответствовать розетке. Никогда не модифицируйте вилку каким-либо образом. Не используйте никакие вилки-переходники с заземленными (замкнутыми на землю) электроинструментами.** Вилки и розетки, которые не подвергались никаким изменениям снижают риск поражения электрическим током.
- b. **Избегайте контакта тела с заземленными поверхностями, такими как трубы, радиаторы, плиты и холодильники.** Существует повышенный

риск поражения электрическим током, если ваше тело заземлено.

- c. **Избегайте любого воздействия дождя или влаги на электроинструменты.** Вода, попавшая в электроинструмент, увеличивает риск поражения электрическим током.
  - d. **Аккуратно обращайтесь со шнуром питания. Никогда не используйте шнур питания для переноски, перемещения или извлечения вилки из розетки. Держите шнур вдали от источников тепла, масла, острых краев или движущихся частей.** Поврежденные или запутанные шнуры увеличивают риск поражения электрическим током.
  - e. **При работе с электроинструментом на улице, используйте удлинитель, подходящий для наружного использования.** Использование кабеля, пригодного для использования на открытом воздухе, снижает риск поражения электрическим током.
  - f. **При необходимости работы с электроинструментом во влажной среде, используйте устройство защитного отключения (УЗО).** Использование УЗО снижает риск поражения электрическим током.
- #### 3. Личная безопасность
- a. **Будьте внимательны, смотрите, что вы делаете, используйте здравый смысл при работе с электроинструментом. Не используйте электроинструмент, если вы устали или находитесь под влиянием наркотиков, алкоголя или лекарств.** Малейшая неосторожность при работе с электроинструментом может привести к серьезным травмам.
  - b. **Используйте средства индивидуальной защиты. Всегда надевайте защитные очки. Другое защитное оборудование, включая респиратор, ботинки на нескользящей подошве, защитный шлем или средства защиты органов слуха, используемые в надлежащих условиях, уменьшат риск получения травмы.**
  - c. **Для предотвращения случайного запуска, убедитесь, что переключатель находится в выключенном положении перед подключением к источнику питания и/или аккумуляторной батарее, поднятия или переноски инструмента.** Не переносите электроинструмент с пальцем на выключателе и не включайте питание на инструмент с включенным выключателем, что может привести к несчастному случаю.

- d. **Перед включением электроинструмента снимайте регулировочный или гаечный ключ.** Гаечный или регулировочный ключ, оставленный на вращающейся части электроинструмента, может привести к травме.
- e. **Не тянитесь. Сохраняйте правильную стойку и баланс все время.** Это позволяет лучше контролировать инструмент в неожиданных ситуациях.
- f. **Одевайтесь правильно. Не надевайте свободную одежду или украшения. Держите волосы, одежду и перчатки вдали от движущихся частей.** Свободная одежда, украшения или длинные волосы могут попасть в движущиеся части.
- g. **Если имеются устройства для подключения пылесборника или вытяжки, убедитесь в том, что они подсоединены и используются правильно.** Использование пылесборника снижает вероятность возникновения рисков, связанных с пылью.
4. **Использование и уход за электроинструментом**
- a. **Не перегружайте электроинструмент. Используйте подходящий электрический инструмент для соответствующего применения.** Правильно подобранный электроинструмент позволит выполнить работу лучше и безопаснее при скорости, для которой он был разработан.
- b. **Не используйте электроинструмент, если переключатель не может его включить и выключить.** Любой электроинструмент, который нельзя контролировать с помощью переключателя, опасен и должен быть отремонтирован.
- c. **Отключите кабель питания от источника питания и/или аккумуляторный блок от электрического инструмента перед выполнением любых регулировок, замены принадлежностей или при хранении электроинструмента.** Такие профилактические меры безопасности уменьшают риск непреднамеренного запуска электрического инструмента.
- d. **Храните неиспользуемые электроинструменты в недоступном для детей месте и не позволяйте лицам, не знакомым с электроинструментом или данными инструкциями, работать с электроинструментом.** Электроинструменты опасны в руках неопытных пользователей.
- e. **Поддержание электроинструмента. Проверьте**

**разрегулированность или соединение подвижных частей, поломки частей и любые другие условия, которые могут повлиять на работу электроинструмента. При наличии повреждения, отремонтируйте электроинструмент перед использованием.** Многие несчастные случаи являются следствием плохого ухода за электроинструментом.

- f. **Держите режущий инструмент острым и чистым.** Хорошо оуженный режущий инструмент с острыми режущими кромками легче контролировать.
- g. **Используйте электроинструмент, аксессуары и насадки в соответствии с данными инструкциями, принимая внимание условия работы и те работы, которые должны быть выполнены.** Использование электроинструмента для операций, отличающихся от тех, для которых он предназначен, может привести к опасной ситуации.
5. **Обслуживание**

- a. **Обеспечьте, чтобы обслуживание и ремонт вашего электроинструмента проводился в авторизованном сервисном центре по ремонту с использованием только оригинальных запасных частей.** Это станет гарантией безопасности электроинструмента.



### Дополнительные указания по технике безопасности для электроинструмента

**Осторожно!** Дополнительные указания по технике безопасности для рубанков

- **Держите инструмент только за изолированные поверхности для захвата, поскольку он может контактировать с собственным кабелем.** В случае разрезания провода электропитания открытые металлические части электроинструмента могут оказаться под напряжением, что может привести к поражению оператора электрическим током.
- **Используйте зажимы или другой уместный способ закрепить и обезопасить обрабатываемую деталь на устойчивой платформе.** При удержании детали руками или другими частями тела она остается неустойчивой, что может привести к потере контроля.
- **Прежде чем класть инструмент, подождите, пока не остановится нож.** Открытый вращающийся нож может зацепиться за поверхность, что может привести к потере контроля и серьезным травмам.

- **Следите за тем, чтобы нож был острым.**  
Затупленные или поврежденные ножи могут стать причиной отклонения рубанка от направления движения или остановки двигателя во время работы. Всегда используйте только соответствующий тип ножей для электроинструмента.
- Не прикасайтесь к детали или ножам сразу после завершения работы инструмента. Они могут быть очень горячими.
- Перед строганием удалите из заготовки все гвозди и металлические предметы.
- Всегда держите инструмент обеими руками за ручки, которыми он снабжен.
- Немедленно отключите кабель электропитания от сети, если он поврежден или разрезан.

**Осторожно!** Контакт или вдыхание пыли, возникающей при выполнении строгания может представлять опасность здоровью оператора и возможных наблюдателей. Наденьте пылезащитную маску, разработанную для защиты от пыли и дыма, а также убедитесь в том, что люди, находящиеся внутри или входящие в рабочую зону, также защищены.

- Данный электроприбор не предназначен для использования лицами (включая детей) с ограниченными физическими, сенсорными или умственными способностями, или не обладающими опытом и знаниями, до тех пор, пока за ними не будет установлено наблюдение или не будут предоставлены инструкции по использованию электроприбора лицом, ответственным за их безопасность. Необходимо следить за тем, чтобы дети не играли с электроприбором.
- Назначение описано в руководстве по эксплуатации. При использовании любых насадок или приспособлений, или работе с этим инструментом образом, отличным от рекомендованного в этом руководстве может возникнуть риск получения травмы и/или нанесения ущерба имуществу.

## Безопасность окружающих

- Данный электроприбор не предназначен для использования лицами (включая детей) с ограниченными физическими, сенсорными или умственными способностями, или не обладающими опытом и знаниями, до тех пор, пока за ними не будет установлено наблюдение или не будут предоставлены инструкции по использованию электроприбора лицом, ответственным за их безопасность.
- Необходимо следить за тем, чтобы дети не играли с электроприбором.

## Остаточные риски

Дополнительные остаточные риски могут возникнуть при использовании инструмента, который не может быть включен в прилагающиеся указания по технике безопасности. Эти риски могут возникнуть при ненадлежащей или продолжительной эксплуатации и т.д.

Даже при соблюдении соответствующих правил техники безопасности и использовании предохранительных устройств невозможно избежать некоторых остаточных рисков. К ним относятся:

- Травмы, возникающие в результате касания любых вращающихся/движущихся частей.
- Травмы, возникающие при смене любых деталей, ножей или насадок.
- Травмы, вызванные продолжительной работой с инструментом. При работе с любым инструментом в течение длительного времени делайте регулярные перерывы.
- Ухудшение слуха
- Вред здоровью, причиненный вдыханием пыли, возникающей при использовании вашего инструмента (например, работа с деревом, в особенности с дубом, буком и ДВП).

## Вибрация

Заявленные значения уровня вибрации, указанные в технических характеристиках и декларации соответствия, были измерены в соответствии со стандартным методом определения, описанном в EN 60745 и могут использоваться для сравнения инструментов. Заявленное значение уровня вибрации также может быть использовано при предварительной оценке воздействия.

**Осторожно!** Уровень вибрации во время работы с электроинструментом может отличаться от заявленного уровня вибрации в связи со способом использования инструмента. Уровень вибрации может превышать заявленное значение.

При оценке степени вибрационного воздействия для определения мер защиты людей, постоянно использующих электроинструмент в работе, согласно 2002/44/ЕС необходимо рассматривать реальные условия использования и способ использования инструмента, принимая во внимание все части рабочего цикла, например, время, когда инструмент выключен и когда он работает вхолостую помимо времени запуска.

## Этикетки на инструменте

Этикетка на вашем инструменте может включать следующие символы:



Читайте инструкции по эксплуатации



Используйте средства защиты глаз



Используйте средства защиты органов слуха

Гц ..... Герц



..... Конструкция класса II

Вт ..... Ватт



..... Терминал заземления

мин..... минуты

..... Переменный ток



..... Символ предупреждения об опасности

..... Постоянный ток



..... обороты или возвратно-поступательное движение в минуту

V ..... Вольт

$n_0$  ..... Скорость без нагрузки

A ..... Ампер

## Положение даты штрих-кода

Дата кода, который также включает год изготовления, печатается на корпусе.

Пример:

2014 XX JN

Год изготовления

## Электрическая безопасность



Данный инструмент имеет двойную изоляцию, поэтому провод заземления не требуется. Всегда проверяйте соответствие напряжения питания сети напряжению, указанному на табличке с техническими данными.

- При повреждении шнура электропитания с целью устранения опасности он должен быть заменен производителем или авторизованным сервисным центром Black & Decker.

## Опции

Данный инструмент имеет некоторые или все из нижеперечисленных опций.

1. Кнопка on/off (включения/выключения)
2. Кнопка отключения блокировки
3. Выходное отверстие для стружки
4. Переключатель выходного отверстия для стружки
5. Регулятор глубины строгания
6. Градация глубины строгания

## Сборка

**Осторожно!** Перед выполнением сборки удостоверьтесь в том, что инструмент выключен и отключен от сети электропитания.

## Замена ножей (рис. А)

Ножи, поставляемые с инструментом, являются двухсторонними.

Ножи для замены можно приобрести в местной торговой сети.

## Демонтаж

- Ослабьте болты (7) при помощи поставляемого гаечного ключа.
- Выдвиньте лезвие (8) из держателя.
- Переверните нож так, чтобы неиспользованная сторона стала на место рабочей. Если изношены обе стороны, нож необходимо заменить.

## Установка

- Вставьте лезвие в держатель до упора.
- Затяните болты при помощи поставляемого гаечного ключа.

**Осторожно!** Всегда заменяйте оба ножа.

## Регулировка глубины строгания (рис. В)

Глубина указана на маркировке (9). Диапазон установки можно определить по делениям (6).

- Поверните ручку регулировки глубины строгания (5) до значения требуемой глубины срезания.
- Когда инструмент не используется, устанавливайте регулятор в положение 'P'.

## Установка и демонтаж направляющей линейки (рис. С)

Направляющая линейка используется для оптимального контроля на узких деталях.

- Вставьте ручку (11) в отверстие на боковой поверхности рубанка и надежно затяните.
- Отпустите ручку регулировки направляющей линейки (10).
- Сдвиньте направляющую линейку в желаемое положение.
- Надежно затяните ручку регулировки направляющей.

**Примечание:** При правильной установке направляющая линейка должна находиться ниже рубанка.

- Для того, чтобы снять направляющую линейку выполните действия в обратном порядке.

## Подключение к инструменту пылесоса (рис. D)

Для подключения к инструменту пылесоса или пылеуловителя требуется переходник. Переходник можно приобрести у местного дистрибьютора STANLEY.

- Наденьте переходник (12) на выходное отверстие для стружки (3).
- Подключите шланг пылесоса (13) к переходнику.

### Установка мешка для сбора стружки (рис. E)

Мешок для сбора стружки особенно полезен во время работы в закрытом помещении.

- Наденьте соединительную накладку (14) мешка на обе стороны выходного отверстия для стружки (3).
- Чтобы предотвратить выход щепы со стороны, противоположной выходу для стружки, переместите переключатель выходного отверстия для стружки (4) в противоположную мешку сторону.

### Очистка мешка для сбора стружки

При использовании мешка для сбора стружки его необходимо периодически очищать для предотвращения засорения.

- Прежде чем продолжать работу отсоедините мешок и очистите его.

### Использование

**Осторожно!** Позвольте инструменту работать в его собственном темпе. Не перегружайте его.

- Отрегулируйте глубину строгания.
- При необходимости установите и отрегулируйте направляющую линейку.

### Включение и выключение

#### Включение

- Удерживайте кнопку отключения блокировки (2) нажатой и нажмите кнопку включения (1).
- Отпустите кнопку отключения блокировки.

#### Выключение

- Отожмите кнопку on/off (вкл./выкл.).

### Строгание

- Удерживайте инструмент передней частью основания вверх обрабатываемой поверхности.
- Включите инструмент.
- Уверенно двигайте инструмент вперед для выполнения строгания.
- После завершения строгания выключите инструмент.

### Шпунтование (рис. F)

- Установите и отрегулируйте направляющую линейку.
- Выполните те же действия, что и при строгании.

### Снятие фасок (рис. G)

V-образный паз в передней части основания позволяет выполнять фаски под углами 45°, 30° и 15°.

- Удерживайте инструмент под углом при помощи требуемой канавки (20) около края обрабатываемой детали и выполните строгание.

### Временная защита (рис. H)

Рубанок оборудован системой временной защиты (21), которая автоматически опускается на место, когда инструмент поднимают с рабочей поверхности. При выполнении строгания опора поднимается во время перемещения инструмента вперед. Когда опора опущена, рубанок можно опускать на рабочую поверхность детали и при этом нож к ней прикасаться не будет.

### Советы для оптимальной работы

- Перемещайте инструмент вдоль волокон древесины.
- Если волокна размещены поперек или искривлены, или деталь изготовлена из твердых сортов древесины отрегулируйте глубину строгания так, чтобы при каждом проходе снимать очень тонкий слой стружки и выполните несколько проходов для достижения требуемого результата.
- Чтобы удержать инструмент на прямой линии нажимайте на переднюю часть инструмента в начале и на заднюю часть инструмента в конце рабочего хода.

### Насадки

Производительность вашего инструмента зависит от используемых насадок. Насадки STANLEY и Piranha разработаны с соответствии с самыми высокими стандартами качества и созданы для увеличения производительности вашего инструмента. Используя эти насадки вы получите максимум возможностей от своего инструмента.

Следующие типы ножей можно приобрести в местной торговой сети:

- Двусторонние ножи армированные карбидом вольфрама (деталь № X35007, поставляются в кол-ве кратном 2 шт.)
- Двусторонние ножи из быстрорежущей инструментальной стали (№ детали. X24192\XJ11, поставляются в кол-ве кратном 2 шт.)

## Обслуживание

Ваш инструмент создан для работы на протяжении длительного периода времени с минимальным техническим обслуживанием. Продолжительная удовлетворительная работа зависит от должного ухода за инструментом и его регулярной чистки.

**Осторожно!** Перед выполнением любого технического обслуживания выключите инструмент и отключите его от розетки.

- Регулярно очищайте вентиляционные отверстия инструмента при помощи мягкой кисточки или сухой ткани.
- Регулярно очищайте корпус двигателя при помощи влажной ткани. Не используйте абразивные чистящие средства или чистящие средства на основе растворителей.

## Замена ремня привода (рис. I)

- Ослабьте болты (15) и снимите защитную крышку (16).
- Снимите старый ремень привода.
- Установите новый ремень (17) на шкивы. Сначала наденьте ремень на больший шкив (18), затем на меньший шкив (19), постоянно вращая его вручную.
- Установите на место защитную крышку и затяните винты.

## Контроль состояния и замена щеток (рис. J)

Необходимо постоянно проверять износ щеток.

- Снимите колпачок щетки (22). Щетки должны свободно перемещаться в обойме щеткодержателя. Если щетки сработались до длины 0,3" (8 мм), то их необходимо заменить.

Для установки вставьте новую щетку в обойму щеткодержателя. При повторной установке старой щетки соблюдайте предыдущую ориентацию. Установите на место колпачок щетки (не перетягивайте).

## Замена Вилки Электропитания

Если необходимо установить новую вилку кабеля электропитания:

- Безопасно удалите старую вилку.
- Подключите коричневый провод к контакту фазы новой вилки.

- Подключите синий провод к контакту нейтрали на новой вилке.
- Если это продукт класса I (заземленный), тогда подключите зелено-желтый провод к контакту заземления.

**Осторожно!** Если это продукт класса II с двойной изоляцией (присутствуют только 2 провода в кабеле электропитания), то контакт заземления подключать не нужно.

Следуйте указаниям по монтажу, которые предоставляются с вилками хорошего качества.

Замена предохранителя должна производиться на предохранитель того же номинала, что был установлен на изделии.

## Технические Характеристики

Спецификация	STPP7502	
Напряжение питания	Vпер.	220-240
Потребляемая мощность	Вт	750
Число оборотов холостого хода	мин-1	16.500
Ширина строгания	мм	82
Глубина строгания	мм	2
Глубина шпунтования	мм	12
Вес	кг	2,9



## Защита окружающей среды



Раздельный сбор и утилизация. Этот продукт не следует утилизировать вместе с бытовым мусором.

Если вы поймете, что ваш продукт Stanley нуждается в замене, или если он не имеет никакого дальнейшего применения для вас, не выбрасывайте его вместе с бытовыми отходами. Предоставьте этот продукт для раздельного сбора/утилизации.



Раздельный сбор продуктов и упаковок позволяет осуществить их переработку и использовать их повторно. Повторное использование переработанных материалов помогает защищать окружающую среду от загрязнения и снижает расход сырьевых материалов.

Местное законодательство может обеспечить сбор старых электроинструментов отдельно от бытового мусора на муниципальных свалках отходов или в торговом предприятии при покупке нового изделия. Stanley обеспечивает возможность для сбора и утилизации продуктов Stanley, как только они достигли конца своего срока службы. Для того чтобы воспользоваться этой услугой, вы можете сдать ваше изделие в любой авторизованный сервисный центр, который собирает их по нашему поручению.

Вы можете узнать место нахождения вашего ближайшего авторизованного сервисного центра, обратившись в местное отделение Stanley по адресу, указанному в данном руководстве. Кроме того, список авторизованных ремонтных агентов Stanley и полную информацию о нашем послепродажном обслуживании и контактах вы можете найти в Интернете: [www.2helpU.com10](http://www.2helpU.com10)

## Полная гарантия сроком на два года

Если ваш продукт STANLEY выходит из строя из-за дефектных материалов или изготовления в течение 24 месяцев с даты покупки, STANLEY Europe гарантирует замену всех неисправных деталей бесплатно или - по своему усмотрению - замену продукта бесплатно при условии, что:

- Продукт использовался правильно, его эксплуатация проводилась строго в соответствии с инструкцией по эксплуатации.
- Продукт подвергался естественному износу;
- Ремонт не проводился посторонними лицами;
- Представлены документы, подтверждающие покупку.
- Продукт STANLEY возвращается в полном комплекте со всеми оригинальными компонентами

Если вы хотите сделать заявку, свяжитесь с продавцом или узнайте место нахождения вашего ближайшего авторизованного сервисного агента Stanley в каталоге Stanley или обратитесь в местное представительство Stanley по адресу, указанному в данном руководстве. Список авторизованных сервисных агентов Stanley и полную информацию о нашем послепродажном обслуживании можно найти в Интернете по адресу: [www.stanleytools.com](http://www.stanleytools.com)

# STANLEY

## Гарантийные условия

### Уважаемый покупатель!

1. Поздравляем Вас с покупкой высококачественного изделия STANLEY и выражаем признательность за Ваш выбор.
2. При покупке изделия требуйте проверки его комплектности и исправности в Вашем присутствии, инструкцию по эксплуатации и заполненный гарантийный талон на русском языке.

В гарантийном талоне должны быть внесены: модель, дата продажи, серийный номер, дата производства инструмента; название, печать и подпись торговой организации. При отсутствии у Вас правильно заполненного гарантийного талона, а также несоответствия указанных в нем данных мы будем вынуждены отклонить Ваши претензии по качеству данного изделия.

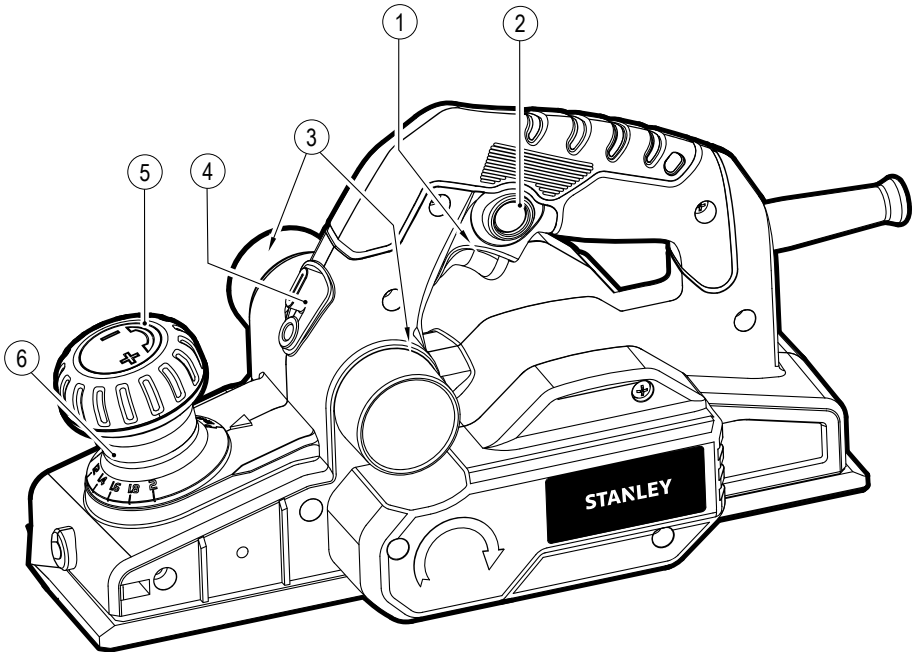
3. Во избежание недоразумений убедительно просим Вас перед началом работы с изделием внимательно ознакомиться с инструкцией по его эксплуатации. Правовой основой настоящих гарантийных условий является действующее Законодательство. Гарантийный срок на данное изделие составляет 24 месяца и исчисляется со дня продажи. В случае устранения недостатков изделия, гарантийный срок продлевается на период его нахождения в ремонте. Срок службы изделия составляет 5 лет со дня продажи.
4. В случае возникновения каких-либо проблем в процессе эксплуатации изделия рекомендуем Вам обратиться только в уполномоченные сервисные центры STANLEY, адреса и телефоны которых Вы сможете найти в гарантийном талоне, на сайте [www.2helpU.com](http://www.2helpU.com) или узнать в магазине. Наши сервисные станции - это не только квалифицированный ремонт, но и широкий ассортимент запчастей и принадлежностей.
5. Производитель рекомендует проводить периодическую проверку и техническое обслуживание изделия в уполномоченных сервисных центрах.

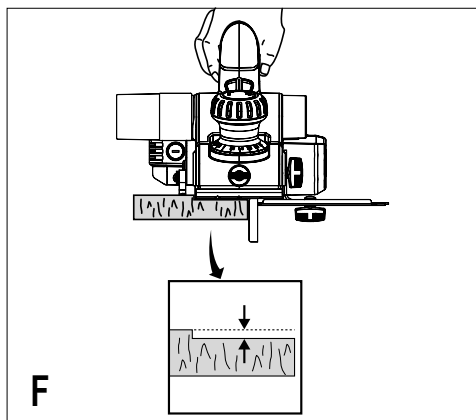
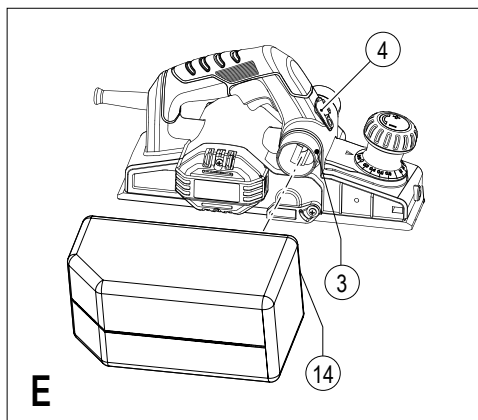
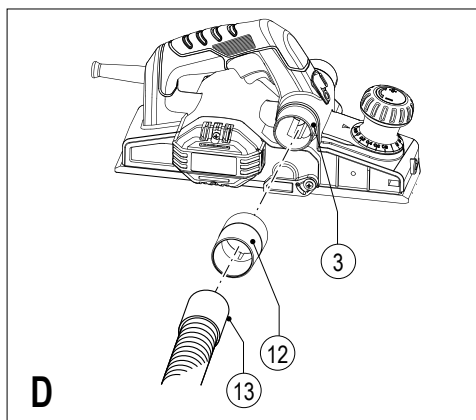
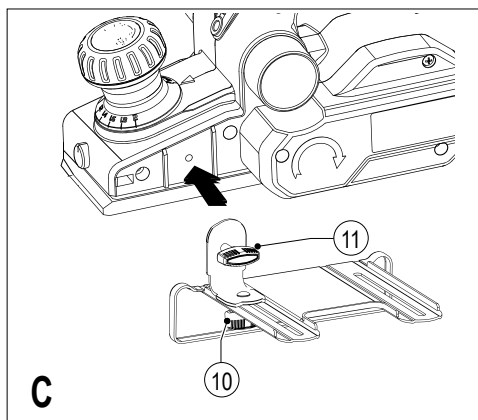
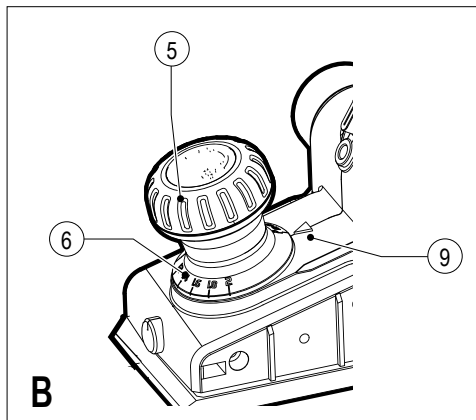
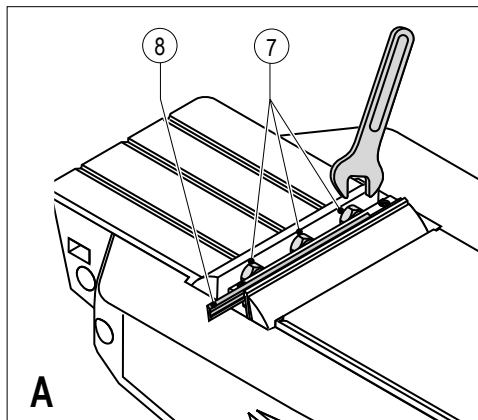


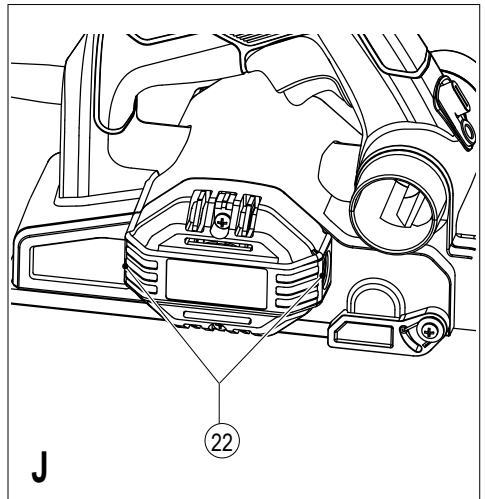
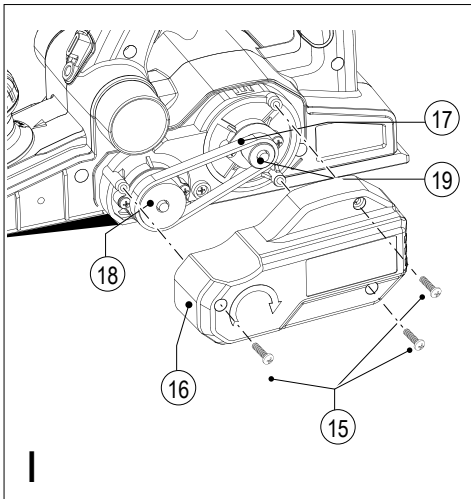
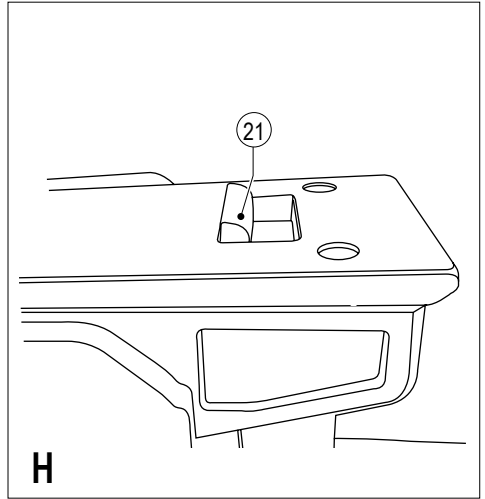
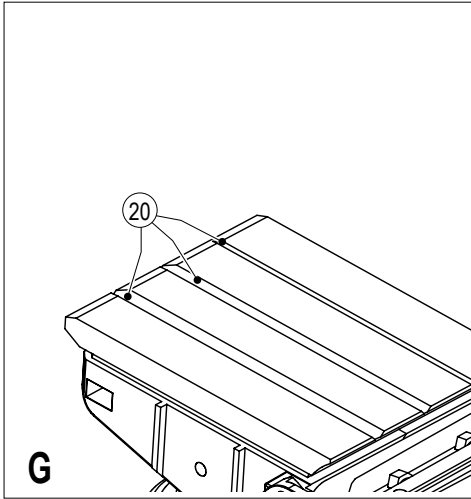
Изготовитель

Блэк энд Деккер Холдингс ГмБХ  
Германия, 65510, Идштайн,  
ул. Блэк энд Деккер, 40

6. Наши гарантийные обязательства распространяются только на неисправности, выявленные в течение гарантийного срока и вызванные дефектами производства и \ или материалов.
7. **Гарантийные условия не распространяются на неисправности изделия, возникшие в результате:**
  - 7.1. Несоблюдения пользователем предписаний инструкции по эксплуатации изделия, применения изделия не по назначению, неправильном хранении, использования принадлежностей, расходных материалов и запчастей, не предусмотренных производителем.
  - 7.2. Механического повреждения (сколы, трещины и разрушения) внутренних и внешних деталей изделия, основных и вспомогательных рукояток, сетевого электрического кабеля, вызванного внешним ударным или любым иным воздействием
  - 7.3. Попадания в вентиляционные отверстия и проникновение внутрь изделия посторонних предметов, материалов или веществ, не являющихся отходами, сопровождающими применение изделия по назначению, такими как: стружка, опилки, песок, и пр.
  - 7.4. Воздействий на изделие неблагоприятных атмосферных и иных внешних факторов, таких как дождь, снег, повышенная влажность, нагрев, агрессивные среды, несоответствие параметров питающей электросети, указанных на инструменте.
  - 7.5. Стихийного бедствия. Повреждение или утрата изделия, связанное с непредвиденными бедствиями, стихийными явлениями, в том числе вследствие действия непреодолимой силы (пожар, молния, потоп и другие природные явления), а так же вследствие перепадов напряжения в электросети и другими причинами, которые находятся вне контроля производителя.
8. **Гарантийные условия не распространяются:**
  - 8.1. На инструменты, подвергавшиеся вскрытию, ремонту или модификации вне уполномоченного сервисного центра.
  - 8.2. На детали и узлы, имеющие следы естественного износа, такие как: приводные ремни и колеса, угольные щетки, смазка, подшипники, зубчатое зацепление редукторов, резиновые уплотнения, сальники, направляющие ролики, муфты, выключатели, бойки, толкатели, стволы, и т.п.
  - 8.3. На сменные части: патроны, цанги, зажимные гайки и фланцы, фильтры, аккумуляторные батареи, ножи, шлифовальные подошвы, цепи, звездочки, пильные шины, защитные кожухи, пилки, абразивы, пильные и абразивные диски, фрезы, сверла, буры и т.п.
  - 8.4. На неисправности, возникшие в результате перегрузки инструмента (как механической, так и электрической), повлекшей выход из строя одновременно двух и более деталей и узлов, таких как: ротора и статора, обеих обмоток статора, ведомой и ведущей шестерни редуктора или других узлов и деталей. К безусловным признакам перегрузки изделия относятся, помимо прочих: появление цветов побежалости, деформация или оплавление деталей и узлов изделия, потемнение или обугливание изоляции проводов электродвигателя под воздействием высокой температуры.







## Призначення

Рубанок STANLEY розроблений спеціально для стругання деревини, виробів з деревини та пластику. Інструмент призначений для ручної роботи. Інструмент призначений лише для побутового використання.

## Вказівки з техніки безпеки

### Загальні попередження з техніки безпеки електроінструментів



**Увага! Ознайомтеся з усіма правилами безпеки та інструкціями.** Недотримання попереджень та інструкцій, зазначених нижче, може призвести до ураження електричним струмом, пожежі та/або серйозної травми.

### Збережіть всі попередження та інструкції для майбутнього використання.

Термін "електроінструмент" у всіх попередженнях, зазначених нижче, відноситься до мережевого (з кабелем) електроінструменту або акумуляторної батареї (без кабелю живлення).

#### 1. Безпека робочого місця

- a. Утримуєте робоче місце в чистоті і добре освітленим. Безлад на робочому місці або відсутність освітлення робочого місця може призвести до аварії.
- b. Не працюйте з електроінструментом в місці зберігання вибухонебезпечних матеріалів, наприклад, у присутності легкозаймистих рідин, газів або пилу. Електричні інструменти створюють іскри, що можуть запалити пил або пари.
- c. Діти і сторонні особи повинні знаходитися якнайдалі під час роботи з електроприладами. Ви можете відволіктися і втратити контроль.

#### 2. Електробезпека

- a. Вилка електроінструмента повинна відповідати розетці. Ніколи не змінюйте вилку будь-яким чином. Не використовуйте ніякі вилки-перехідники з заземленими (замкнутими на землю) електроінструментами. Вилки і розетки, які не піддавалися ніяким змінам знижують ризик ураження електричним струмом.
- b. Уникайте контакту тіла з заземленими поверхнями, такими як труби, радіатори, плити та

холодильники. Існує підвищений ризик ураження електричним струмом, якщо ваше тіло заземлене.

- c. Уникайте будь-якого впливу дощу або вологи на електроінструменти. Вода, що потрапила в електроінструмент, збільшує ризик ураження електричним струмом.
  - d. Обережно поводьтеся зі шнуром живлення. Ніколи не використовуйте шнур живлення для перенесення, переміщення або вилучення вилки з розетки. Тримайте шнур подалі від джерел тепла, масла, гострих країв або рухомих частин. Пошкоджені або заплутані шнури збільшують ризик ураження електричним струмом.
  - e. При роботі з електроінструментом на вулиці, використовуйте подовжувач, відповідний для зовнішнього використання. Використання кабелю, придатного для використання на відкритому повітрі, знижує ризик ураження електричним струмом.
  - f. При необхідності роботи з електроінструментом у вологому середовищі, використовуйте пристрій захисного відключення (ПЗВ). Використання ПЗВ знижує ризик ураження електричним струмом.
- #### 3. Особиста безпека
- a. Будьте уважні, дивіться, що ви робите, використовуйте здоровий глузд при роботі з електроприладами. Не використовуйте електроінструмент, якщо ви втомилися або перебуваєте під впливом наркотиків, алкоголю або ліків. Найменша необережність при роботі з електроінструментом може призвести до серйозних травм.
  - b. Використовуйте засоби індивідуального захисту. Завжди надягайте захисні окуляри. Інше захисне обладнання, включаючи респіратор, черевки на нековзній підшві, захисний шолом або засоби захисту органів слуху, використовувані в належних умовах, зменшать ризик отримання травми.
  - c. Для запобігання випадкового запуску, переконайтеся, що перемикач знаходиться у вимкненому положенні перед підключенням до джерела живлення та/або акумуляторної батареї, підняття або перенесення інструменту. Не переносьте електроінструмент з пальцем на вимикачі і не включайте електроживлення на інструмент з увімкненим вимикачем, що може призвести до нещасного випадку.

d. **Перед включенням електроінструменту знімайте регульовальний або гайковий ключ.** Гайковий або регульовальний ключ, залишений на обертівій частині електроінструменту, може призвести до травми.

e. **Не тягніться. Зберігайте правильну стійку і баланс весь час.** Це дозволяє краще контролювати інструмент в несподіваних ситуаціях.

f. **Одягайте правильно. Не надягайте вільний одяг або прикраси.** Тримайте волосся, одяг і рукавички далеко від рухомих частин. Вільний одяг, прикраси або довге волосся можуть потрапити в рухому частину.

g. **Якщо є пристрій для підключення пилосбірника або витяжки, переконайтеся в тому, що вони під'єднані і використовуються правильно.** Використання пилосбірника знижує ймовірність виникнення ризиків, пов'язаних з пилом.

#### 4. Використання та догляд за електроінструментом

a. **Не перевантажуйте електроінструмент. Використовуйте відповідний електричний інструмент для відповідного застосування.** Правильно підібраний електроінструмент дозволить виконати роботу краще і безпечніше при швидкості, для якої він був розроблений.

b. **Не використовуйте електроінструмент, якщо перемикач не може його включити і вимкнути.** Будь-який електроінструмент, який не можна контролювати за допомогою перемикача, є небезпечний і повинен бути відремонтований.

c. **Від'єднайте кабель живлення від джерела живлення та/або акумулятора від електричного інструменту перед виконанням будь-яких регулювань, заміни приладдя або при зберіганні електроінструменту.** Такі профілактичні заходи безпеки зменшують ризик ненавмисного запуску електричного інструменту.

d. **Зберігайте електроприлади в недоступному для дітей місці і не дозволяйте особам, які не знайомі з електричним інструментом або даними інструкціями, працювати з електроприладами.** Електроінструменти небезпечні в руках недосвідчених користувачів.

e. **Підтримання електроінструменту. Перевіряйте розрегульованість або з'єднання рухомих частин, поломки частин і будь-які інші умови, які можуть вплинути на роботу електроінструменту. При наявності пошкодження, відремонтуйте електроінструмент перед використанням.** Багато

нещасних випадків є наслідком поганого догляду за електроінструментом.

f. **Тримайте ріжучий інструмент гострим і чистим.** Добре доглянутий ріжучий інструмент з гострими ріжучими крайками легше контролювати.

g. **Використовуйте електроінструмент, аксесуари та насадки відповідно до цих вказівок, приймаючи до уваги умови роботи і ті роботи, які повинні бути виконані.** Використання електроінструменту для операцій, які відрізняються від тих, для яких він призначений, може призвести до небезпечної ситуації.

#### 5. Обслуговування

a. **Забезпечте, щоб обслуговування і ремонт вашого електроінструменту проводився в авторизованому сервісному центрі по ремонту з використанням тільки оригінальних запасних частин.** Це стане гарантією безпеки електроінструменту.

#### Додаткові вказівки щодо техніки безпеки при роботі з електроінструментом



**Обережно!** Додаткові вказівки щодо техніки безпеки при роботі з рубанком

- Тримайте інструмент тільки за ізольовані поверхні для тримання, так як він може контактувати із власним електричним кабелем. У випадку розривання кабелю електроживлення відкриті металеві частини електроінструмента можуть опинитися під напругою та створити небезпеку ураження оператора електричним струмом.
- Використовуйте затискачі або ж інший придатний спосіб закріплення деталі на стійкій платформі, щоб зробити її безпечною. Коли деталь утримується руками або іншими частинами тіла, вона залишається нестійкою, що може спричинити втрату контролю.
- Перш ніж класти інструмент зачекайте доки зупиняться ножі. Відкритий ніж, що обертається може зачепити поверхню, а це може стати причиною втрати контролю та призвести до серйозних травм.
- Слідкуйте за тим, щоб ножі були гострими. Затуплені чи пошкоджені ножі можуть спричинити відхилення рубанка від напрямку руху або до зупинки двигуна під час роботи. Завжди використовуйте тільки відповідний тип ножів для електроінструмента.
- Не торкайтесь деталі та ножів відразу після закінчення роботи інструмента. Вони можуть бути дуже гарячі.
- Перед виконанням стругання приборіть із заготовки всі цвяхи та металеві предмети.

- Завжди тримайте інструмент за обладнані ручки обома руками.
- Терміново від'єднайте кабель електроживлення від електричної розетки у випадку його пошкодження чи розривання.

**Обережно!** Контакт із, або вдихання пилу, котрий виникає при виконанні операції стругання може становити небезпеку для здоров'я оператора та можливих спостерігачів. Вдягніть пилозахисну маску, розроблену для захисту від пилу та диму, а також переконайтеся в тому, що люди, які знаходяться чи входять в робочу зону, також захищені.

- Цей інструмент не призначений для використання особами (включно з дітьми) з обмеженими фізичними, сенсорними чи розумовими здібностями, або тими особами, що не мають досвіду та знань, допоки за ними не буде встановлений нагляд чи будуть надані інструкції з використання особою, що несе відповідальність за їх безпеку. Потрібно слідкувати за тим, щоб діти не гралися з інструментом.
- Призначення описане в інструкції з використання. Використання будь-якого приладдя чи насадок, або робота з інструментом способом, відмінним від рекомендованого в цій інструкції з використання може спричинити ризик травмування та/або нанесення збитків майну.

### Безпека навколишніх

- Цей інструмент не призначений для використання особами (включно з дітьми) з обмеженими фізичними, сенсорними чи розумовими здібностями, або тими особами, що не мають досвіду та знань, допоки за ними не буде встановлений нагляд, чи будуть надані інструкції з використання особою, що несе відповідальність за їх безпеку.
- Потрібно слідкувати за тим, щоб діти не гралися з інструментом.

### Залишкові ризики

Додаткові залишкові ризики можуть з'явитися при використанні інструменту, що не може бути включений в обмежені міри безпеки. Ці ризики можуть з'являтися у випадку неналежної чи тривалої експлуатації ти ін.

Навіть при дотриманні відповідних правил техніки безпеки та використанні запобіжних пристроїв деяких залишкових ризиків уникнути просто неможливо. До них відносяться:

- Травми, що виникли в результаті контакту з будь-якими деталями, що рухаються / обертаються.
- Травми, що виникли під час заміни будь-яких деталей, ножів та насадок
- Травми, викликані тривалою роботою з інструментом. При роботі з будь-яким інструментом впродовж тривалого періоду часу необхідно робити регулярні перерви.
- Зниження слуху

- Шкідливий вплив на здоров'я внаслідок вдихання пилу, що продукується під час роботи інструменту (наприклад, обробка дерева, особливо дуба, бука та ДВП).

### Вібрація




Значення рівнів вібрації, вказані в технічних характеристиках та декларації відповідності були виміряні у відповідності зі стандартними методами визначення, описаними в EN 60745 та можуть використовуватись для порівняння інструментів. Заявлені значення рівнів вібрації також можуть бути використані під час попередньої оцінки впливу.

**Обережно!** Рівень вібрації під час роботи з електроінструментом може відрізнитися від вказаного в залежності від способу використання інструмента. Рівень вібрації може перевищувати заявлений.

Під час оцінки рівня впливу вібрацій для визначення заходів захисту людей, котрі постійно користуються електроінструментом для роботи, згідно з 2002/44/ЕС необхідно розглядати реальні умови використання та спосіб використання інструмента, беручи до уваги всі етапи робочого циклу, наприклад, час, коли інструмент знаходиться у вимкненому стані та час, коли він працює разом із моментом запуску.

### Етикетки на інструменті

Етикетки на вашому інструменті можуть включати такі символи:

	Читайте інструкції з експлуатації	Гц ..... Герц		..... Конструкція класу II
	Використовуйте засоби захисту очей	Вт ..... Ватт		..... Термінал заземлення
	Використовуйте засоби захисту органів слуху	мін ..... хвилини		..... Символ попередження про небезпеку
				..... обороти або зворотно-поступальний рух в хвилину
				
V .....	Вольт	.....	Постійний струм	
A .....	Ампер	n <sub>0</sub> .....	Швидкість без навантаження	


### Положення дати штрих-коду

Дата коду, який також включає рік виготовлення, друкується на корпусі.

Приклад:

2014 XX JN  
Рік виготовлення

### Безпека при роботі з електрообладнанням

 В даному інструменті передбачена подвійна ізоляція, тому провід заземлення не потрібен. Завжди перевіряйте відповідність напруги мережі живлення напрузі, вказаній на таблиці з технічними даними.

- В разі пошкодження кабелю електроживлення та з метою усунення небезпеки його мають бути замінено виробником або авторизованим сервісним центром Black & Decker.



## Опції

В цьому інструменті містяться деякі чи всі із вказаних елементів.

1. Кнопка вмикання/вимкання
2. Кнопка відімкнення блокування
3. Вихідний отвір для стружки
4. Перемикач вихідного отвору для стружки
5. Регулятор глибини стругання
6. Градація глибини стругання

## Збирання

**Обережно!** Перед виконанням збирання переконайтесь в тому, що інструмент вимкнений та від'єднаний від розетки живлення.

### Заміна ножів (рис. А)

Ножі, що встановлені на інструмент є двохсторонніми.

Ножі для заміни можна придбати в місцевій роздрібній мережі.

## Демонтаж

- Послабте болти (7) за допомогою гайкового ключа, що поставляється з інструментом.
- Витягніть лезо (8) із тримача.
- Переверніть ніж так, щоб невикористаний бік став на місце робочого. Якщо обидва боки ножа вже спрацьовані, його необхідно замінити.

## Установка

- Встановіть лезо в тримач до упору.
- Затягніть болти за допомогою гайкового ключа, що поставляється разом з інструментом.

**Обережно!** Завжди проводьте заміну обох ножів.

### Регулювання глибини стругання (рис. В)

Глибина стругання відображається за допомогою відміток (9).

Встановлене значення можна визначити по відмітках (6).

- Поверніть ручку регулювання глибини стругання (5) та встановіть необхідне значення глибини зрізу.
- Коли інструмент не використовується, встановлюйте регулятор в положення 'Р'.

## Установка та демонтаж направляючої лінійки (рис. С)

Направляюча лінійка використовується для оптимального контролю на вузьких деталях.

- Вставте ручку (11) в отвір на бічній поверхні рубанка та надійно затягніть.
- Відпустіть ручку для регулювання направляючої лінійки (10).
- Зсуньте направляючу лінійку в бажане положення.
- Надійно затягніть ручку регулювання направляючої лінійки.

**Примітка:** Правильно встановлена направляюча лінійка має знаходитися нижче рубанка.

- Для того, щоб зняти направляючу лінійку виконайте дії у зворотному порядку.

### Під'єднання до інструмента пиლოსоса (рис. D)

Для під'єднання до інструмента пиლოსоса чи пиловловлювача потрібен перехідник. Перехідник можна придбати в місцевій роздрібній мережі STANLEY.

- Одягніть перехідник (12) на вихідний отвір для стружки (3).
- Під'єднайте шланг пиლოსоса (13) до перехідника.

### Установка мішка для збору стружки (рис. Е)

Мішок для збору стружки особливо корисний під час роботи в замкнутому приміщенні.

- Одягніть з'єднувальну накладку (14) мішка на обидва боки вихідного отвору для стружки (3).
- Для запобігання виходу трісок з боку, протилежного виходу стружки встановіть перемикач вихідного отвору для стружки (4) в протилежний до мішка бік.

## Очищення мішка для збору стружки

Якщо використовується мішок для збору стружки, то його необхідно періодично очищувати для запобігання забруднення.

- Перш ніж продовжувати роботу від'єднайте мішок та очистіть його.

## Використання

**Обережно!** Дайте інструменту працювати у власному ритмі. Не перевантажуйте його.

- Відрегулюйте глибину стругання.
- В разі необхідності встановіть та відрегулюйте направляючу.

## Ввімкнення та вимкнення

### Ввімкнення

- Утримуйте кнопку відімкнення блокування (2) та натисніть кнопку ввімкнення (1).
- Відпустіть кнопку відімкнення блокування.

### Вимкнення

- Натисніть кнопку ввімкнення.

## Стругання

- Утримуйте передню частину інструмента у верхній частині оброблюваної деталі.
- Ввімкніть інструмент.
- Для виконання стругання плевнено переміщуйте інструмент вперед.
- Після закінчення стругання вимкніть інструмент.

## Шпунтування (рис. F)

- Встановіть та відрегулюйте направляючу.
- Виконуйте ті ж дії, що при струганні.

## Зняття фасок (рис. G)

V-подібний паз в передній частині основи дозволяє виконувати фаски під кутом 45°, 30° та 15° градусів.

- Утримуйте інструмент під кутом за допомогою потрібної канавки (20) поблизу ребра оброблюваної деталі та виконуйте стругання.

## Тимчасовий захист (рис. H)

Рубанок обладнаний системою тимчасового захисту (21), що автоматично опускається, коли інструмент піднімається з робочої поверхні. Під час виконання стругання захисна пластинка піднімається при переміщенні інструмента вперед. Коли захисна пластинка опущена, рубанок можна опускати на робочу поверхню і при цьому ніж до неї торкатися не буде.

## Поради для оптимальної роботи

- Виконуйте обробку вздовж волокон деревини.
- Якщо волокна розміщені поперек чи викривлені, або ж деталь виготовлена з твердих порід дерева - відрегулюйте глибину стругання таким чином, щоб при кожному проході знімати дуже тонкий шар стружки та виконайте декілька проходів для досягнення необхідного результату.

- Щоб зберегти паралельність інструмента оброблюваної поверхні натисніть на його передню частину на початку робочого ходу та на задню частину в кінці робочого ходу.

## Насадки

Якість роботи вашого інструменту залежить від запасних частин, які ви використовуєте. Запасні частини STANLEY та Piranha розроблені у відповідності до найвищих стандартів якості та спроектовані для збільшення продуктивності роботи вашого інструменту. Використовуючи їх ви отримаєте максимальний результат.

У місцевій роздрібній мережі можна придбати наступні типи ножів:

- Двохсторонні ножі, армовані карбідом вольфраму (дет. № X35007, поставляються в кількості, кратній 2 шт.)
- Двохсторонні ножі із швидкорізючої інструментальної сталі (дет. № X24192-XJ11, поставляються в кількості, кратній 2 шт.)

## Обслуговування

Ваш інструмент спроектований для роботи протягом тривалого часу з мінімальним необхідним технічним обслуговуванням. Тривала задовільна робота інструменту залежить від правильного догляду за ним та його регулярного очищення.

**Обережно!** Перед виконанням будь-якого технічного обслуговування вимкніть інструмент та від'єднайте його від електромережі та від'єднайте його від електромережі.

- Регулярно очищуйте вентиляційні отвори інструменту за допомогою м'якої щітки чи сухої тканини.
- Регулярно очищуйте корпус двигуна за допомогою вологої тканини. Не використовуйте абразивні миючі засоби та миючі засоби на основі розчинників.

## Заміна ремня приводу (рис. I)

- Послабте гвинти (15) та зніміть захисну кришку (16).
- Зніміть старий ремінь.
- Встановіть новий ремінь (17) на шківи. Спочатку одягніть ремінь на великий шків (18), далі на малий шків (19) постійно обертаючи його вручну.
- Встановіть на захисну кришку на місце та затягніть гвинти.

## Контроль стану та заміна щіток (рис. J)

Щітки потребують постійного контролю зносу.

- Зніміть ковпачок щітки (22). Щітки повинні вільно рухатись в обоймі щіткотримача. Якщо щітки спрацьовані до довжини 0,3" (8 мм) - їх необхідно замінити.

Для заміни вставте нову щітку в обойму щіткотримача. В разі повторної установки старої щітки дотримуйтесь її попередньої орієнтації. Встановіть ковпачок щітки на місце (не перетягуйте).

### Заміна вилки живлення

Якщо необхідно встановити нову вилку кабелю електроживлення:

- Безпечно демонтуйте стару вилку.
- Під'єднайте коричневий провід до контакту фази нової вилки.
- Під'єднайте синій провід до контакту нейтралі нової вилки.
- Якщо це продукт I класу (заземлений), під'єднайте зелений / жовтий провід до контакту заземлення.

**Обережно!** Якщо це продукт II класу (в кабелі електроживлення містяться лише два проводи), то контакт заземлення під'єднувати не потрібно.

Виконуйте вказівки виробника стосовно монтажу, що надаються для вилок хорошої якості.

Запобіжника необхідно міняти на запобіжник того ж номіналу, що був встановлений на продукт.

### Технічні дані

Специфікація	STPP7502	
Напруга живлення	Vзм	220-240
Потужність	Вт	750
Число обертів на холостому ходу	хв-1	16,500
Ширина стругання	мм	82
Глибина стругання	мм	2
Глибина шпунтування	мм	12
Вага	кг	2.9

### Повна гарантія терміном на два роки



Роздільний збір і утилізація. Цей продукт не слід утилізувати разом з побутовим сміттям.

Якщо ви зрозумієте, що ваш продукт Stanley потребує заміни, або якщо він не має ніякого подальшого застосування для вас, не викидайте його разом з побутовими відходами. Надайте цей продукт для роздільного збору/утилізації.



Роздільний збір продуктів і упаковок дозволяє здійснити їх переробку і використати їх повторно.

Повторне використання перероблених матеріалів допомагає захищати довкілля від забруднення і знижує витрату сировинних матеріалів.

Місцеве законодавство може забезпечити збір старих електроінструментів окремо від побутового сміття на муніципальних звалищах відходів або в торговому підприємстві при купівлі нового виробу. Stanley забезпечує можливість для збору і утилізації продуктів Stanley, як тільки вони досягли кінця свого терміну служби. Для того, щоб скористатися цією послугою, ви можете здати ваш виріб у будь-який авторизований сервісний центр, який збирає їх за нашим дорученням.

Ви можете упізнати місце знаходження вашого найближчого авторизованого сервісного центру, звернувшись в місцеве відділення Stanley за адресою, вказаною в цьому керівництві. Крім того, список авторизованих ремонтних агентів Stanley і повну інформацію про наше післяпродажне обслуговування і контакти ви можете знайти в Інтернеті: [www.2helpru.com](http://www.2helpru.com)

## Два рік повної гарантії

Якщо ваш продукт STANLEY виходить з ладу із-за дефектних матеріалів або виготовлення впродовж 24 місяців з дати купівлі, STANLEY Europe гарантує заміну усіх несправних деталей безкоштовно або - на власний розсуд - заміну продукту безкоштовно за умови, що:

- Продукт використовувався правильно, його експлуатація проводилася строго відповідно до інструкції з експлуатації.
- Продукт піддавався звичайному зносу;
- Ремонт не проводився сторонніми особами;
- Представлені документи, що підтверджують купівлю.
- Продукт STANLEY повертається в повному комплекті з усіма оригінальними компонентами

Якщо ви хочете зробити заявку, зв'яжіться з продавцем або з'ясуйте місце знаходження вашого найближчого авторизованого сервісного агента Stanley в каталозі Stanley або зверніться в місцеве представництво Stanley за адресою, вказаною в цьому посібнику. Список авторизованих сервісних агентів Stanley і повну інформацію про наше післяпродажне обслуговування можна знайти в Інтернеті за адресою: [www.stanleytools.com](http://www.stanleytools.com)

**STANLEY**

## Гарантійні умови

## Шановний покупець!

1. Вітаємо Вас з покупкою високоякісного виробу STANLEY і висловлюємо вдячність за Ваш вибір.
2. При покупці виробу вимагайте перевірки його комплектності і справності у Вашій присутності, інструкцію з експлуатації та заповнений гарантійний талон українською мовою

В гарантійному талоні повинні бути внесені: модель, дата продажу, серійний номер, дата виробництва інструменту; назва, печатка і підпис торгової організації. За відсутності у Вас правильно заповненого гарантійного талону, а також при невідповідності зазначених у ньому даних ми будемо змушені відхилити Ваші претензії щодо якості даного виробу.

3. Щоб уникнути непорозумінь, переконливо просимо Вас перед початком роботи з виробом уважно ознайомитися з інструкцією з його експлуатації. Правовою основою справжніх гарантійних умов є чинне законодавство. Гарантійний термін на даний виріб складає 24 місяці і обчислюється з дня продажу. У разі усунення недоліків виробу, гарантійний строк продовжується на період його перебування в ремонті. Термін служби виробу становить 5 років з дня продажу.
4. У разі виникнення будь-яких проблем у процесі експлуатації виробу рекомендуємо Вам звертатися тільки в уповноважені сервісні центри STANLEY, адреси та телефони яких Ви зможете знайти в гарантійному талоні, на сайті [www.2helpU.com](http://www.2helpU.com) або дізнатися в магазині. Наші сервісні станції - це не тільки кваліфікований ремонт, але і широкий асортимент запчастин і аксесуарів.
5. Виробник рекомендує проводити періодичну перевірку і технічне обслуговування виробу в уповноважених сервісних центрах.
6. Наші гарантійні зобов'язання поширюються тільки на несправності, виявлені протягом гарантійного терміну і викликані дефектами виробництва та \ або матеріалів.
7. Гарантійні умови не поширюються на несправності виробу, що виникли в результаті:
  - 7.1 Недотримання користувачем приписів інструкції з експлуатації виробу, застосування виробу не за призначенням, неправильного зберігання, використання приладдя, витратних матеріалів і запчастин, що не передбачені виробником.
  - 7.2 Механічного пошкодження (відколи, тріщини і руйнування) внутрішніх і зовнішніх деталей виробу, основних і допоміжних рукояток, мережевого кабелю, що викликані зовнішнім ударним або будь-яким іншим впливом

- 7.3 Потрапляння у вентиляційні отвори та проникнення всередину виробу сторонніх предметів, матеріалів або речовин, що не є відходами, які супроводжують застосування виробу за призначенням, такими як: стружка, тирса, пісок, та ін.
- 7.4 Впливу на виріб несприятливих атмосферних і інших зовнішніх факторів, таких як дощ, сніг, підвищена вологість, нагрівання, агресивні середовища, невідповідність параметрів електромережі, що зазначені на інструменті.
- 7.5 Стихійного лиха. Пошкодження або втрати виробу, що пов'язані з непередбаченими лихами, стихійними явищами, у тому числі внаслідок дії непереборної сили (пожежа, блискавка, потоп і інші природні явища), а також внаслідок перепадів напруги в електромережі та іншими причинами, які знаходяться поза контролем виробника.
8. Гарантійні умови не поширюються:
  - 8.1 На інструменти, що піддавалися розкриттю, ремонту або модифікації поза уповноваженим сервісним центром.
  - 8.2 На деталі, вузли та матеріали, що мають сліди природного зносу, такі як: приводні ремені і колеса, вугільні щітки, мастило, підшипники, зубчасті зчеплення редукторів, гумові ущільнення, сальники, направляючі ролики, муфти, вимикачі, бойки, штовхачі, стволи тощо.
  - 8.3 На змінні частини: патрони, бангари, затискні гайки і фланці, фільтри, акумуляторні батареї, ножі, шліфувальні підшови, ланцюги, зірочки, пильні шини, захисні кожухи, пилки, абразиви, пильні і абразивні диски, фрези, свердла, бури тощо
  - 8.4 На несправності, що виникли в результаті перевантаження інструменту (як механічного, так і електричного), що спричинили вихід з ладу одночасно двох і більше деталей і вузлів, таких як: ротора і статора, обох обмоток статора, веденої і ведучої шестерень редуктора або інших вузлів і деталей. До безумовних ознак перевантаження виробу відносяться, крім інших: поява кольорів мінливості, деформація або оплавлення деталей і вузлів виробу, потемніння або обвуглювання ізоляції проводів електродвигуна під впливом високої температури.



Виробник:

"Stanley Black & Decker Deutschland GmbH" Black-&-Decker Str.40, D-65510 Idstein, Німеччина



## Names & Addresses for STANLEY Service Concessionaries - MIDDLE EAST & AFRICA

**ALGERIA:** Sarl Outillage Corporation, 08 Rue Med Boudiaf - Cheraga - Algiers, Algeria. Tel: (213-21) 375130, Fax: (213-21) 369667. **ANGOLA:** Angoferraria, Lda., Rua Robert Shields, No. 61, Luanda, Angola. Tel: 00244-222-395837 / 222-395034, Fax: 00244-222-394790. **AZERBAIJAN:** Royalton Holdings Ltd. 41 Khagani St. Apt. 47 AZ 1001, Baku. Tel: (994-12) 4935544, Fax: (994-12) 5980378. **BAHRAIN:** Kavalani & Sons W.L.L., P.O. Box 71, Sitra, Manama, Tel: (973) 17732888, Fax: (973) 17737379. Alfouz Services Co. W.L.L., P.O. Box 26562, Tubli, Manama. Tel: (973) 17783562, Fax: (973) 17783479. **Egypt:** El Farab S.A.E., 15-Nabil El Wakkad Street, Dokki, Giza, Egypt. Tel: 00202-37603946 / 002-010-2582544, Fax: 00202-33352796. **ETHIOPIA:** Seif Tewfik Sherif, Arada Sub-City, Kebele 01/02, Global Insurance Building, 2nd Floor, Room 43, P.O. Box 2525, Addis Ababa, Ethiopia. Tel: (251-11) 1563968/ 1563969, Fax: (251-11) 1558009. **IRAQ:** Financial Links, Kazzaz Building Ararat Al-Hindia Block No: 629 Street: 31 Building No: 1 Baghdad - Iraq. Tel: 00964 (0)780 195 2223/ 00964 (0)781 3763044. Al Sard Co. for General Trading Ltd. Jbara Bldg. 3Flr, Al Rasheed St. Bagdad. Tel: (964) 18184102. Sakhar Group, Arrasat al-hindya Al Masbah, Baghdad. (964) 7400144446. **JORDAN:** Palestine Bldg. Matl. (Bashiti Hardware), 93 King Abdullah 2nd Street. Opp. ELBA House, P.O. Box 3005, Amman 11953, Tel: (962-6) 5349098, Fax: (962-6) 5330731. **KENYA:** Dextron Tools Ltd., P.O. Box 20121-00200, Shariff House, Kimathi Street, Nairobi. Tel: (254-20) 6905000/ 2358021, Fax: (254-20) 6905111/ 6905112. **KUWAIT:** Al Omar Technical Co., P.O. Box 4062, 13041 Safat, Kuwait. Tel: (965) 24848595/ 24840039, Fax: (965) 24845652. Fawaz Al Zayani Establishment, P.O. Box 42426, Shop No. 18, Al Humaizi Commercial Complex, Khalifa Al Jassim, Shuwaikh, Kuwait. Tel: (965) 24828710, Fax: (965) 24828716. Fawaz Al Zayani Establishment, P.O. Box 42426, Shop No.18, Al Humaizi Commercial Complex, Khalifa Al Jassim, Shuwaikh, Kuwait. Tel: (965) 24828710, Fax: (965) 24828716. Fawaz Al Zayani Establishment, Fahaheel Industrial Area, Main St., Sanaya, Kuwait. Tel: (965) 23925830, Fax: (965) 24828716. **LEBANON:** Est. Shaya & Azar S.A.R.L., Boulevard Jdeideh - Mar Takla - Bouchrieh. P.O. Box 90545 Jdeideh.Beirut - Lebanon. Tel: 00961 1 872305 / 306 , Fax: 00961 1 872303. **LIBYA:** North Africa Trading ( El Ghoul Brothers), AlHilal Service Center Tawergha St. Misurata. Tel: 00218-091-3221408. **(Benghazi)** Sniydal st., Amr Ibn El-Aas Rd. Tel: (+218) 92 5771120. **(Tripoli)** Al Barniq Service Center, Mokhazin elskar st., ElFallah. Tel: (+218) 21 4808019. **(Misrata)** Al Hilal Service Center, Tawergha st. Tel: (+218) 51 2626743. **MAURITIUS:** Robert Le Marie Limited, Old Moka Road, Bell Village, P.O. Box 161, Port Louis, Tel: 00230-212 1865/ 212 2847, Fax: 00230-2080843. **MOROCCO:** Ets Louis Guillaud & Cie, 149, Quartier Industriel, Moulay Rachid, Casablanca, Postal Code 20450, Morocco. Tel: 00212-522729233, Fax: 00212-522729096. **NIGERIA:** Meridian Power Tools Ltd., Gr.Floor, #1 Alhaji Masha Rd, Next to Teslim Balogun Stadium, Near National Stadium Surulere, Lagos, Nigeria. Tel: 00234-1-7740431 / 7740410, Fax: 00234-1-7913798. **OMAN:** Al Jizzi Company LLC, P.O. Box 1704, PC 112 Ruwi, Oman. Tel: (968) 24832618/ 24835153, Fax: (968) 24831334/24836460. Al Hassan Technical & Construction Supplies Co. LLC, P.O. Box 1948, P.C. 112, Ruwi, Tel: (968) 24810575 / 24837054, Fax: (968) 24810287/ 24833080. Oman Hardware Co. LLC, P.O. Box 635, Ruwi Postal Code 112, Te. (968) 24815131, Fax: (968) 24816491. Khimji Ramdas, P.O. Box 19, Post Code 100, Ghalia, Muscat, Oman. Tel: (968) 24595906/ 907, Fax: (968) 24852752. Oman Marketing & Service Co. (Omasco), P.O. Box 2734, Behind Honda Showroom, Wattayah, Oman. Tel: (968) 24560232/ 24560255, Fax: (968) 24560993. Oman Marketing & Service Co. (Omasco), Al Ohi, Sohar, Oman. Tel: (968) 26846379, Fax: (968) 26846379. Oman Marketing & Service Co. (Omasco), Sanaya, Salalah, Oman. Tel: (968) 23212290, Fax: (968) 23210936. **PAKISTAN:** ZIT Co - Nasir & Bros., 2nd Floor, Qadri Center, Chokwal Dargan Railway Road, Lahore, Pakistan. Tel: 0092 42 37670839, Fax: 0092 42 37652989. Ammar Service & Spares, 60-Bank Arcade, Serai Road, Karachi, Pakistan. Tel: (92-21) 32426905, Fax: (92-21) 32427214. **QATAR:** Teyseer Industrial Supplies & Services Co. W.L.L, 55, Al Wakalat St. (Between St. 18 & 19) Salwa Industrial Area, P.O. Box 40523 Doha, Qatar. Tel: (974) 44581536, Fax: (974) 44682024. Shaheen Electrical Works & Trading Co. W.L.L, Gate 34, St. 44 Industrial Area P.O. Box 9756, Doha, Qatar. Tel: (974) 44600230 / 44600525, Fax: (974) 44601338. Al Mufah Service Centre, Al Wakrah Road, P.O. Box 875, Doha, Qatar. Tel: (974) 44650880/ 44650110/ 44446868, Fax: (974) 44441415 / 44662599. **SAUDI ARABIA: (Al Bahr)** Mohamed Ahmed Bin Afif Est., P.O. Box 530, Yanbu, Al Bahr. Tel: (966-4) 3222626/ 3228867, Fax: (966-4) 3222210. **(Al Khobar)** Fawaz Ebrahim Al Zayani Trading Est., P.O. Box 76026, Al Khobar # 31952, Tel: (966-3) 8140914, Fax: (966-3) 8140824. MSS (Al-Mojil Supply & Services) P.O. Box 450, Jubail 31951, Opp. Gulf Bridge Library & Riyadh House. Tel: (966-3) 3612850/ 3624487/ 3621729, Fax: (966-3) 3623589/ 3620783. **(Dammam)** MSS (Al-Mojil Supply & Services), P.O. Box 450, Jubail 31951, Opp-Gulf Bridge Library & Riyadh House. Tel: (966-3) 3612850 / 3624487 / 3621729, Fax: (966-3) 3623589 / 3620783. **(Al Bawardi Tools & Hardware)**, P.O. Box 112, Dammam, Tel: (966-3) 8330780 Ext.24 / 8348585 Ext. 24 / +966-3-8335555, Fax: (966-3) 8336303. **(Al Hassa)** Mutawa Trading & Gen. Services, Maliki road Hafuf city, Al Hassa, KSA. Tel: (966) 502846275 **(Jeddah)** Al Bawardi Tools & Hardware, P.O. Box 16905, Jeddah 21474, Tel: (966-2) 6444547 / 6439035 / 6456095, Fax: (966-2) 6439024. EAC (Al Yousef Contg. & Trdg. Est.), P.O. Box 30377, Jeddah -21477, Tel: (966-2) 6519912, Fax: (966-2) 6511153. **(Madina)** Garziz Trading for Bldg Mat & Decoration, P.O. Box 3364, Madina. Tel: (966-4) 826 14 90 / 8227636, Fax: (966-4) 8265741. **(Riyadh)** Industrial Material Organization (IMO), P.O. Box 623, Rial Street, Riyadh, Tel: (966-1) 4028010 Ext 26 / 8001245757, Fax: (966-1) 4037970. Sultan Garment Factory (RSC), P.O. Box 29912, Riyadh 11467, KSA, Tel: (966-1) 4055148 / 4042889, Fax: (966-1) 4055148. Al Bawardi Tools & Hardware, P.O. Box 68, Riyadh 11411, Tel: (966-1) 4484999, Fax: (966-1) 4487877. **(Yanbu)** Fawaz Ebrahim Al Zayani, Opposite to Al Fouzan, Jeddah highway or King Abdul Aziz road, Yanbu. Tel: (966-4) 3960980, Fax: (966-4) 3961980. Mohamed Ahmed Bin Afif Est., P.O. Box 530, Yanbu, Al Bahr, Tel: (966-4) 3222626/ 3228867, Fax: (966-4) 3222210. **SOUTH AFRICA:** Stanley Black & Decker - RSA, 199 Winetree Drive Stormill Exit 9 Rooodepoort. Tel: (2711) 472 0454, Fax: (2711) 472 0482. Trevco Power Tool Service 14 Steenbok Street, Koedoespoort, 0186, Pretoria, South Africa. Tel: (27-86) 1873826, Fax: (27-86) 5001771. **TANZANIA:** General Motors investment Ltd., P.O. Box 16541, 14 Nyerere Road, Vingunguti, Dar-es-Salaam. Tel: (255 22) 2862661/ 2865022, Fax: (255 22) 2862667. **TUNISIA:** Societe Tunisienne De Maintenance (STM), Rue de la Physique. Nouvelle Zone Industrielle Ben Arous., 2013 Ben Arous, Tunisia. Tel: (+216) 79 389687, Fax: (+216) 71 385154. **UAE: (Abu Dhabi)** Light House Electrical, P.O. Box 120, Abu Dhabi. Tel: (971-2) 6726131, Fax: (971-2) 6720667. Galaxy Equipment Trading, Madinat Zayed (Baada Zaid), Abu Dhabi P.C. 58910, Tel: (971-2) 8844279, Fax: (971-2) 8844297 **(Ajman)** Al Sukoon Gen. Trdg. Co. LLC, P.O. Box 2975, Ajman. Tel: (971-6) 7435725/ 7438317, Fax: (971-6) 7437350, Al Sukoon Gen. Trdg. Co. LLC, P.O. Box 2975, Ajman, Tel: (971-6) 7435725 / 7438317, Fax: (971-6) 7437350 **(Al Ain)** Zillion Equipment and Spare Parts Trading LLC, P.O. Box 19740, Opp. Bin Sada/ Trimix Redymy Sanaiya, Al Ain. Tel: (971-3) 7216690, Fax: (971-3) 7216103. **(Dubai)** Black & Decker (Overseas) GmbH, P.O. Box 5420, Dubai. Tel: (971-4) 8127400/ 8127406, Fax: (971-4)2822765. Ideal Star Workshop Eqp't.Trading LLC, P.O. Box 37116, Al Quoz, Dubai. Tel: (971-4) 3474160, Fax: (971-4) 3474157, Fine Tools, P.O.Box 30139, Al Quoz, Dubai, Tel: (971-4) 3385240, Fax: (971-4) 3385239, Albreah Engineering Service, P.O. Box 78954, Al Qusais , Dubai. Tel: (971-4) 2850044, Fax: (971-4) 2848402. **(Musafah)** Light House Electrical, P.O. Box 120, Abu Dhabi. Tel: (971-2) 5548315, Fax: (971-2) 5540461. **(Sharjah)** Mc Coy Middle East LLC, P.O. Box 25793, Sharjah, Tel: (971-6) 5395931, Fax: (971-6) 5395932. Burj Al Madeena, Industrial Area No.1, Opp. Pakistani Masjid, P.O. Box 37635, Sharjah. Tel: (971-6) 5337747, Fax: (971-6) 5337719. Burj Al Madeena , Industrial Area No 1, opp Pakistani Masjid P.O. Box 37635, Sharjah, Tel: (971-6) 5337747, Fax: (971-6) 5337719 **(Ras Al Khaimah)** Mc Coy Middle East LLC, P.O. Box 10584, Ras Al Khaimah, Tel: (971-7) 2277095, Fax: (971-7) 2277096. **UGANDA:** The Building Center (U) Ltd., 52 Station Road, Kitgum House, P.O. Box 7436, Kampala, Uganda. Tel: (256-41) 4234567/ 4259754, Fax: (256-41) 4236413. **YEMEN: (Aden)** Middle East Trad. Co. Ltd. (METCO), Mualla Dakka, Aden, Yemen. Tel: (967-2) 222670, Fax: (967-2) 222670. **(Sana'a)** Middle East Trad. Co. Ltd. (METCO), Hayel St., Sana'a, Yemen. Tel: (967-1) 204201, Fax: (967-1) 204204. **(Taiz)** Middle East Trading Co. (METCO), P.O. Box 12363, 5th Flr, Hayel Saeed Anam Bldg, Al-Mugamma St. Taiz, Yemen. Tel: (967-4) 213455, Fax: (967-4) 219869.